



## HPS III-MHL200 linear version

Technical data

Version 12/2018

# HPS III-MHL200 linear version

Single nozzle and system nozzle

## Dimensions and tip versions

Version	System nozzle	Single nozzle					
Machine radius ( <b>Dim. R</b> )	--	0	15	15.5	40	1/2" (13.2)	3/4" (19.5)
<b>Dim. T</b>	--	0	2	2	0.8	2	1.8
Locating ring	--	Item number 50456... Diameter .100 / .110 / .125 / .160 / .175					

Width of nozzle block ( <b>Dim. B</b> )	62
Number of tips	4
Distance between cavities ( <b>Dim. S1</b> )	<b>S1=42</b>
Nozzle length ( <b>Dim. G</b> ) <sup>(1)</sup>	129, 138, 148, 168
Positions of bars	<b>A</b> (on nozzle side with tips) <b>B</b> (on nozzle side without tips)

Tip versions	90°	60°	0°
Distance between cavity rows ( <b>Dim. Y</b> )	62	62	58
<b>Dim. X</b>	60	64.5	65
Recommended gate diameters	0.8 - 1.5	0.8 - 1.5	0.8 - 1.5

(1) Other nozzle lengths available on request

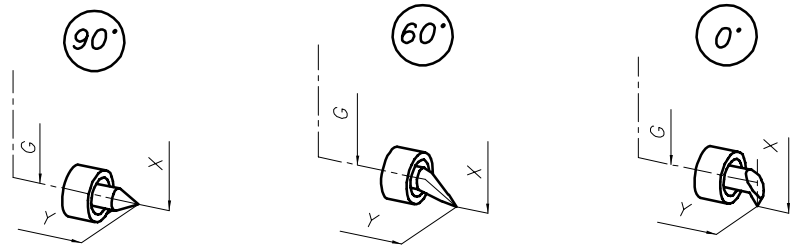
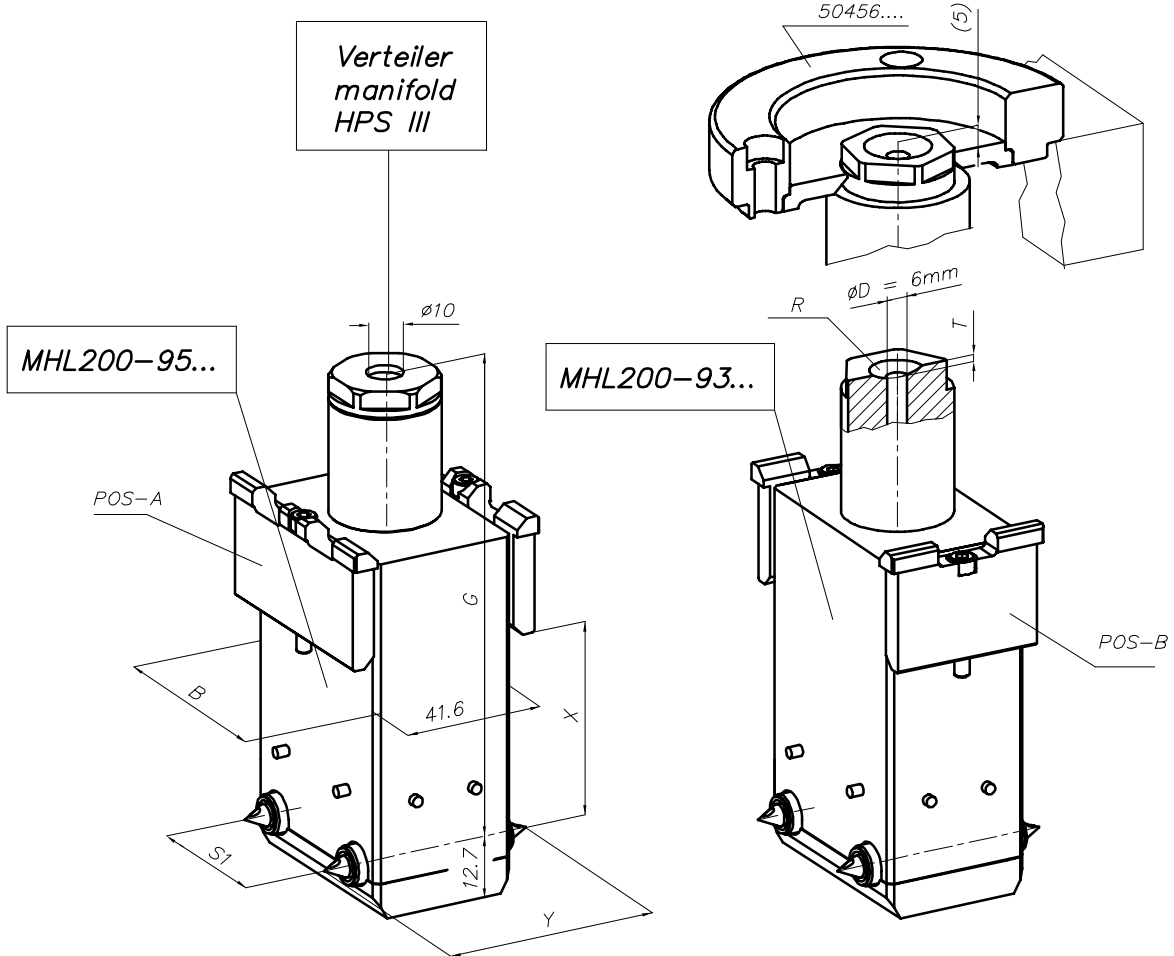
### Item numbers:

System nozzle: **MHL200-95...**

Single nozzle: **MHL200-93...**

**Each nozzle will be configured individually to suit your application requirements. Please contact us!**

**ATTENTION!**  
The injection unit contact pressure  
must not exceed 30 KN

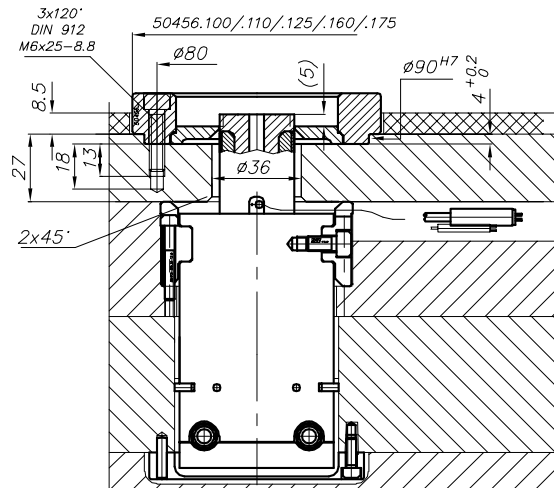
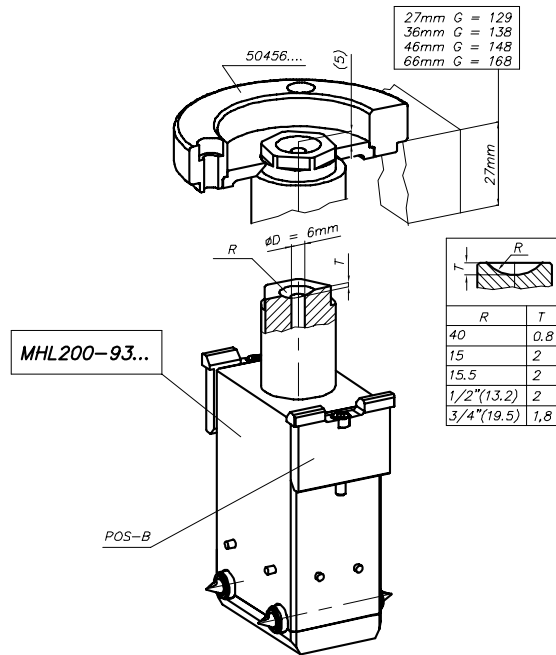


# HPS III-MHL200 linear version

Assembly example for single nozzle, 4-drop, width of nozzle block 62, position of bars B

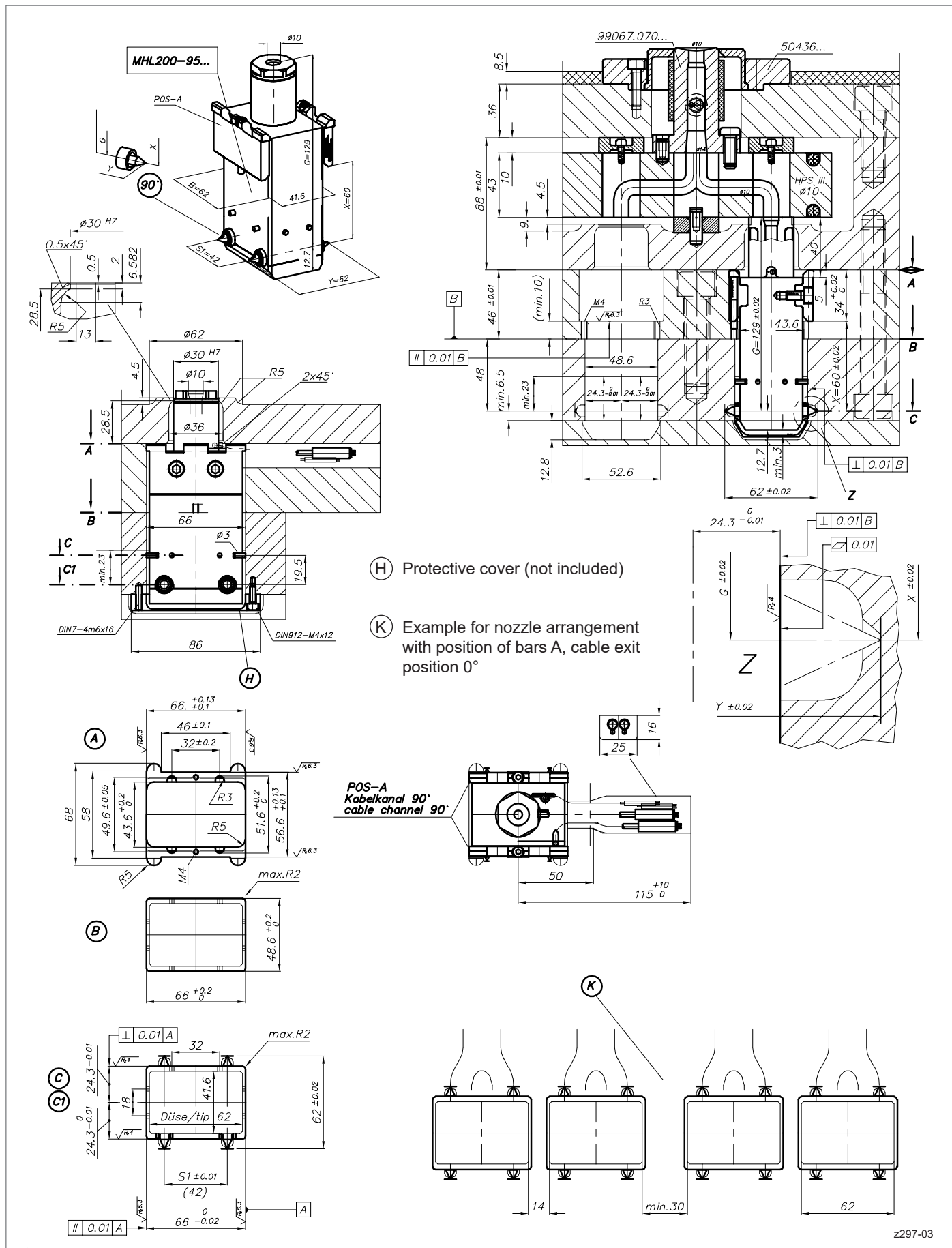
## ATTENTION!

The injection unit contact pressure must not exceed 30 KN



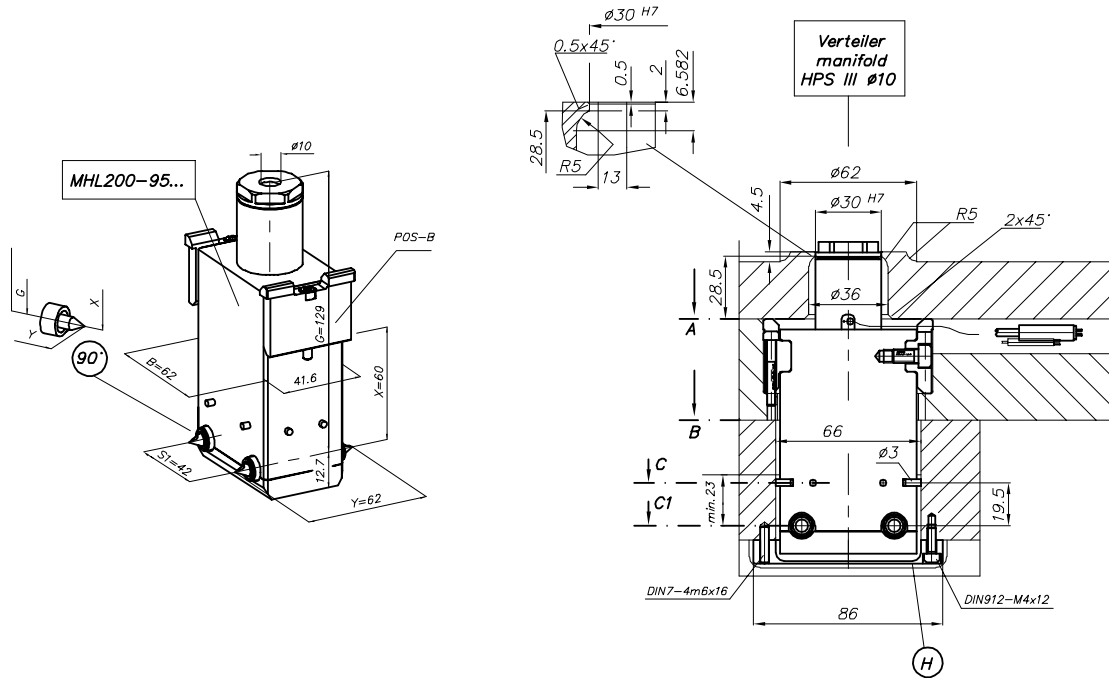
# HPS III-MHL200 linear version

Assembly example for system nozzle, 4-drop, width of nozzle block 62, position of bars A

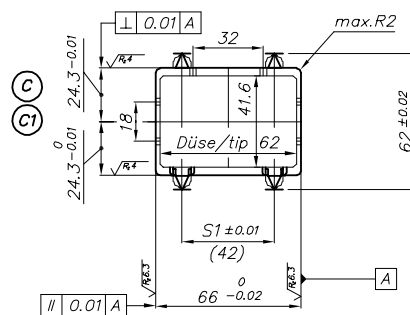
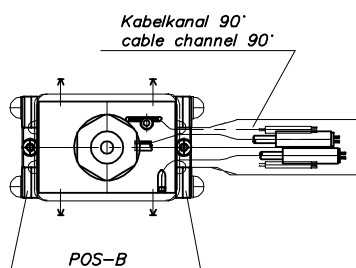
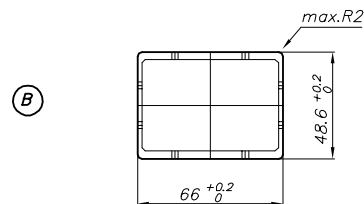
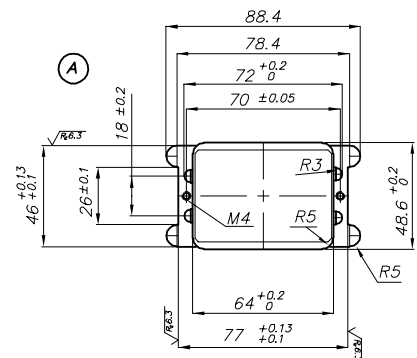


# HPS III-MHL200 linear version

Assembly example for system nozzle, 4-drop, width of nozzle block 62, position of bars B



(H) Protective cover (not included)

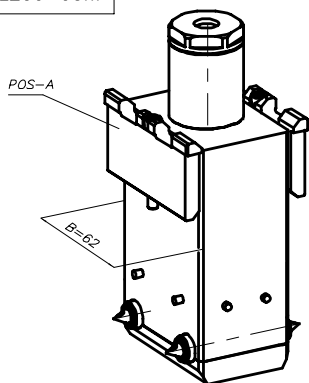


# HPS III-MHL200 linear version

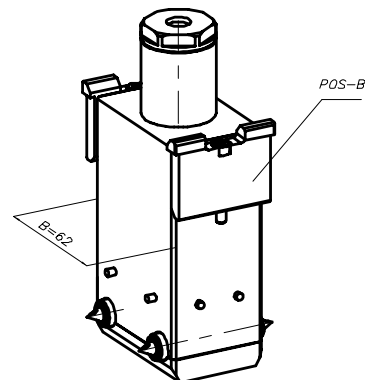
Cable exit positions for power and thermocouple, width of nozzle block 62

Position of bars A

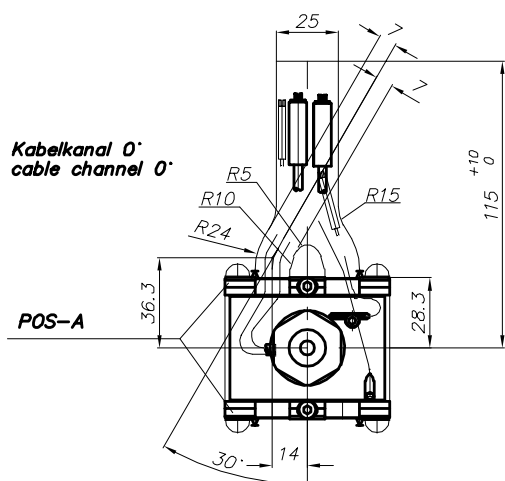
MHL200-93...  
MHL200-95...



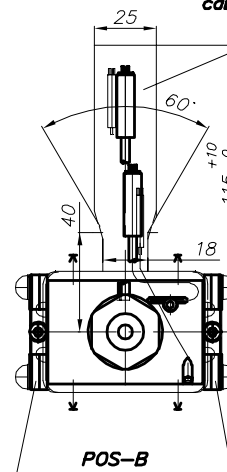
Position of bars B



0°

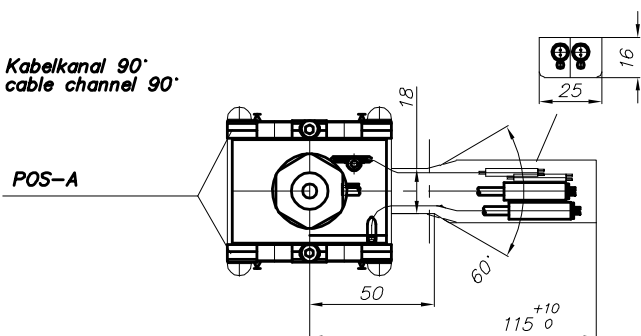


Kabelkanal 0°  
cable channel 0°

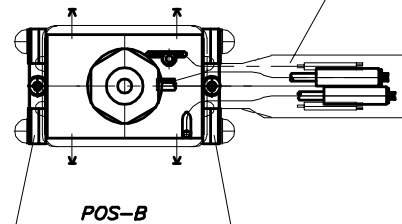


90°

Kabelkanal 90°  
cable channel 90°



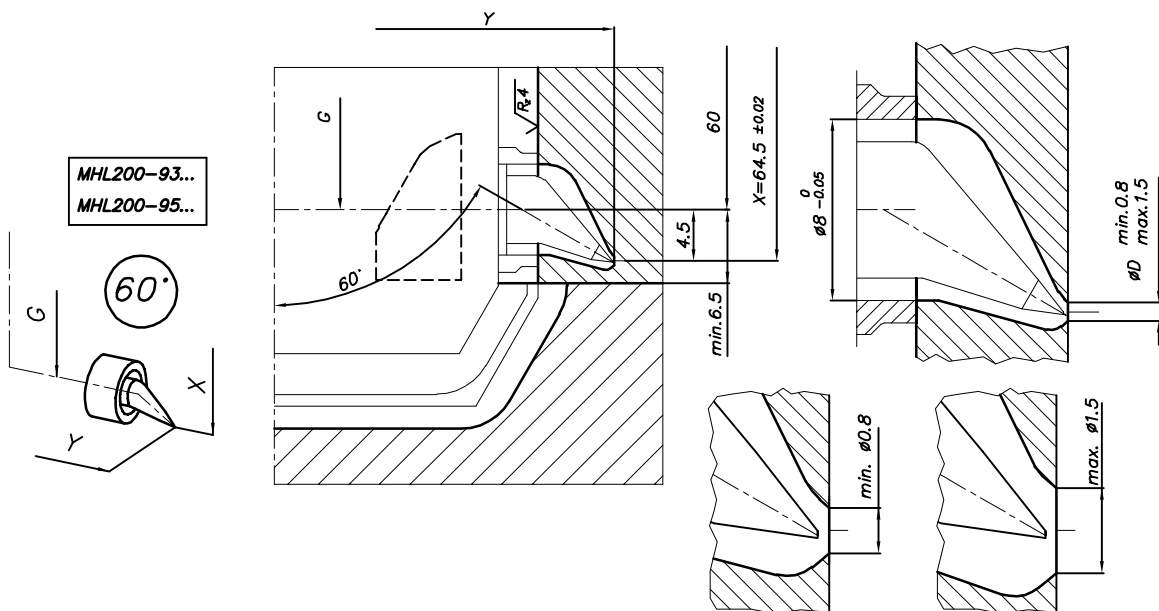
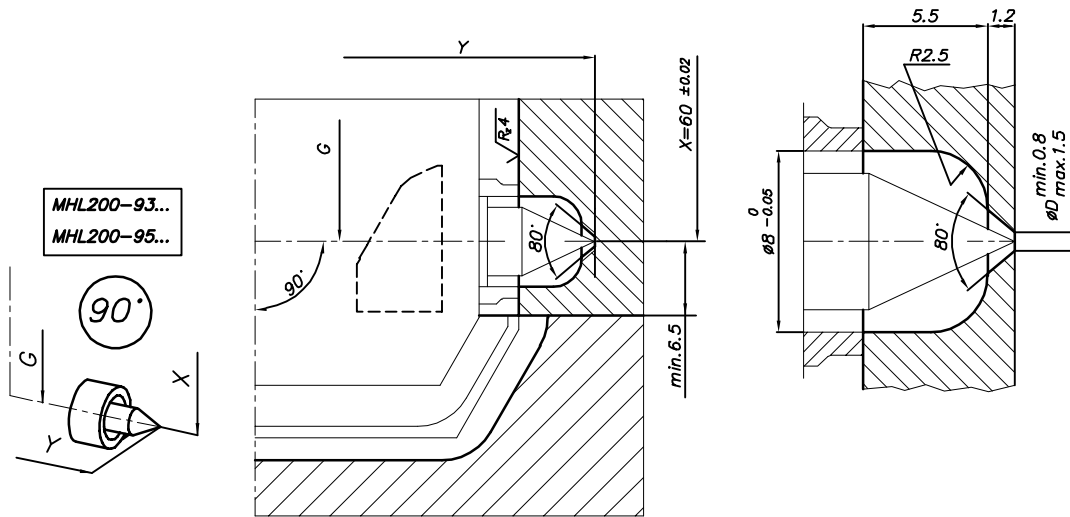
Kabelkanal 90°  
cable channel 90°



z297-05

# HPS III-MHL200 linear version

## Details of gating geometries



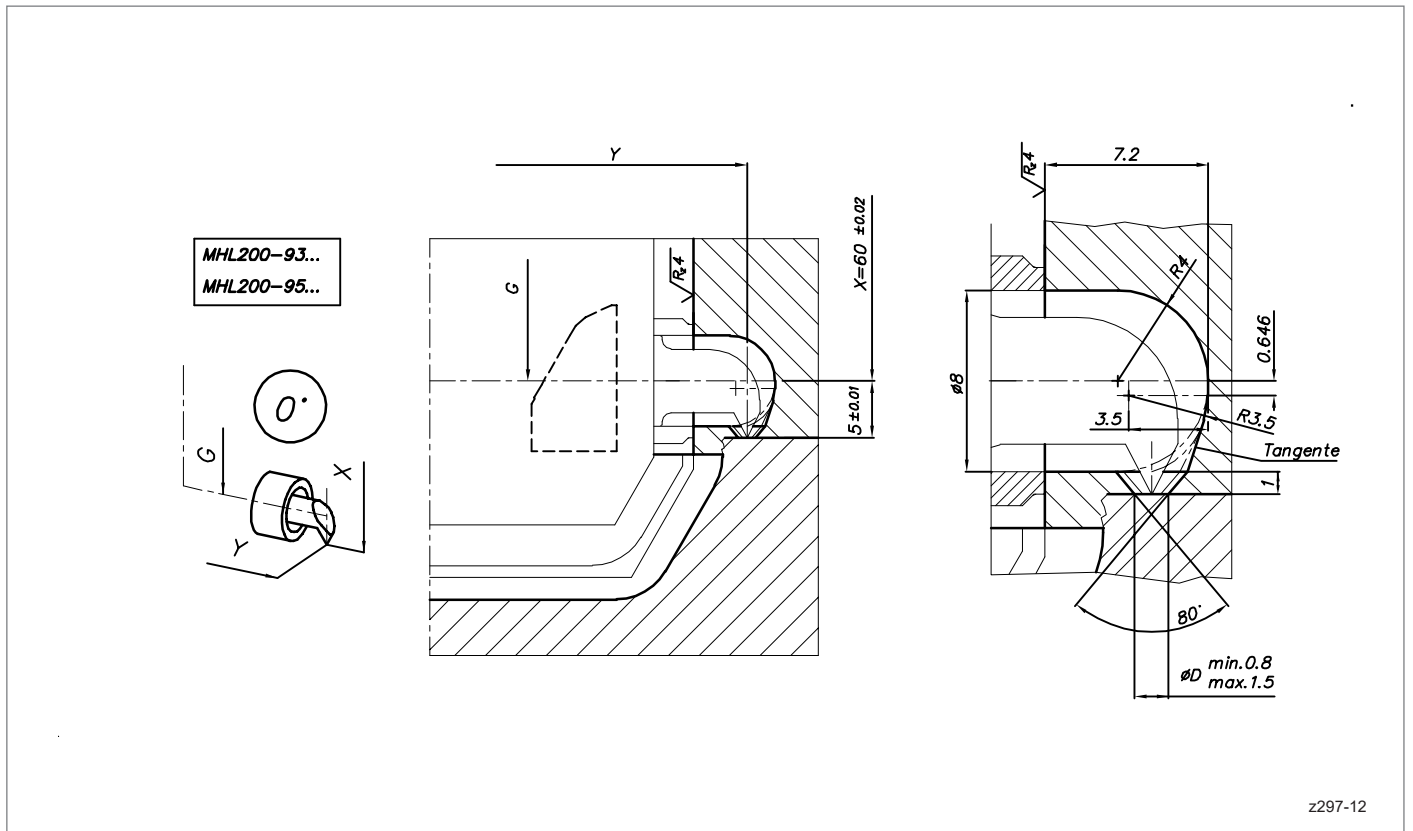
Beispiel/example

Enlarging ØD results in a different gate contour



# HPS III-MHL200 linear version

Details of gating geometries



**EWIKON**  
**Heißkanalsysteme GmbH**  
Siegener Straße 35  
35066 Frankenberg / Germany  
Tel: +49 6451 501-0  
E-Mail: [info@ewikon.com](mailto:info@ewikon.com)  
[www.ewikon.com](http://www.ewikon.com)

Your EWIKON partner: