



HPS III-MHR100 radial version

Technical data

Version 12/2018

HPS III-MHR100 radial version

Single nozzle and system nozzle

Dimensions and tip versions

Version	System nozzle	Single nozzle					
Machine radius (Dim. R)	--	0	15	15.5	40	1/2" (13.2)	3/4" (19.5)
Dim. T	--	0	2	2	0.8	2	1.8
Locating ring	--	Item number 50456... Diameter .100 / .110 / .125 / .160 / .175					

Number of tips ⁽¹⁾	2, 4, 8		
Nozzle length (Dim. G) ⁽²⁾	105	114	144
Height of nozzle holder for system nozzle (Dim. N)	15	15 - 24	15 - 54

Tip versions	90°	60°	0°	NV (valve gate)
Pitch diameter (Dim. Y)	58	58	54	54
Dim. X	60	63	63.4	64
Recommended gate diameters	0.5 - 1.2	0.6 - 1.0	0.5 - 1.2	0.8 - 1.2

(1) Other number of tips available on request

(2) Other nozzle lengths available on request

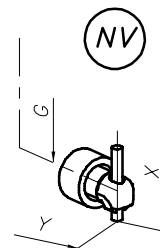
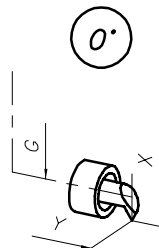
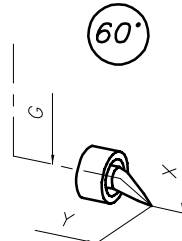
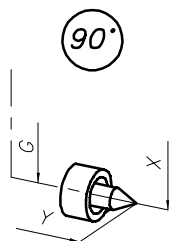
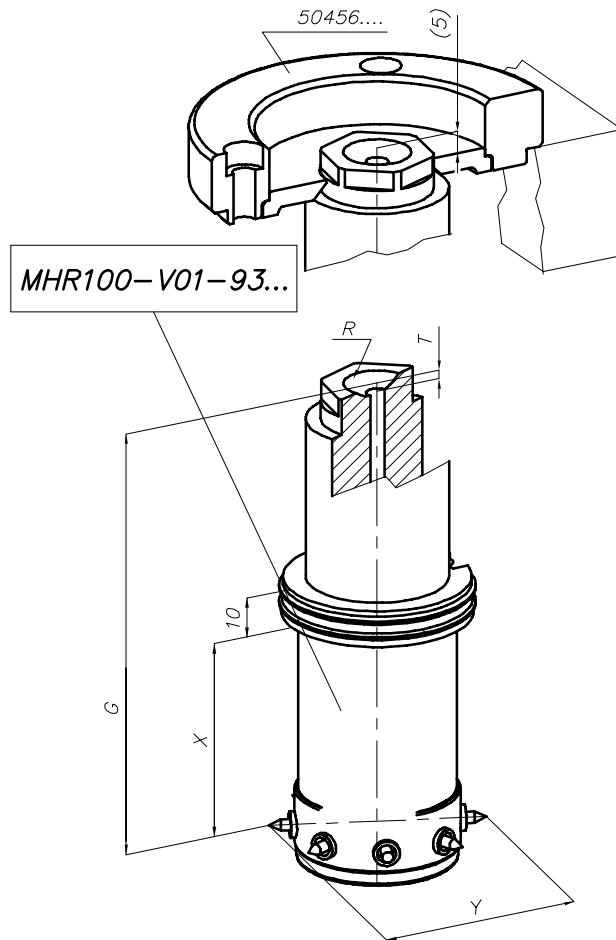
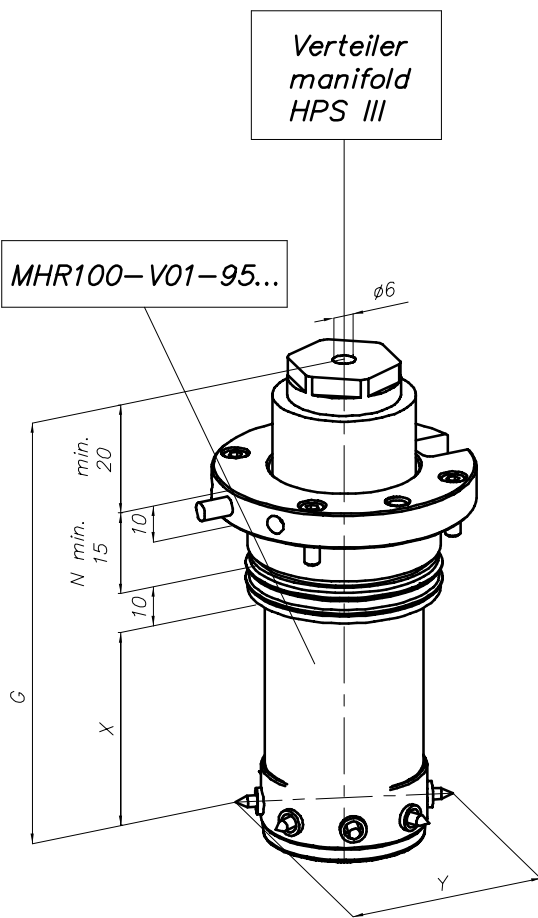
Item numbers:

System nozzle: **MHR100-V01-95...**

Single nozzle: **MHR100-V01-93...**

Each nozzle will be configured individually to suit your application requirements. Please contact us!

ATTENTION!
The injection unit contact pressure must not exceed 30 KN



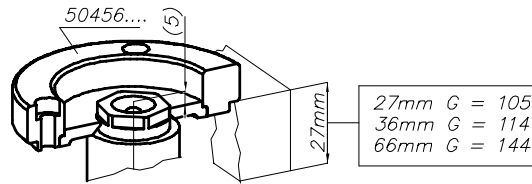
HPS III-MHR100 radial version

Assembly example for single nozzle

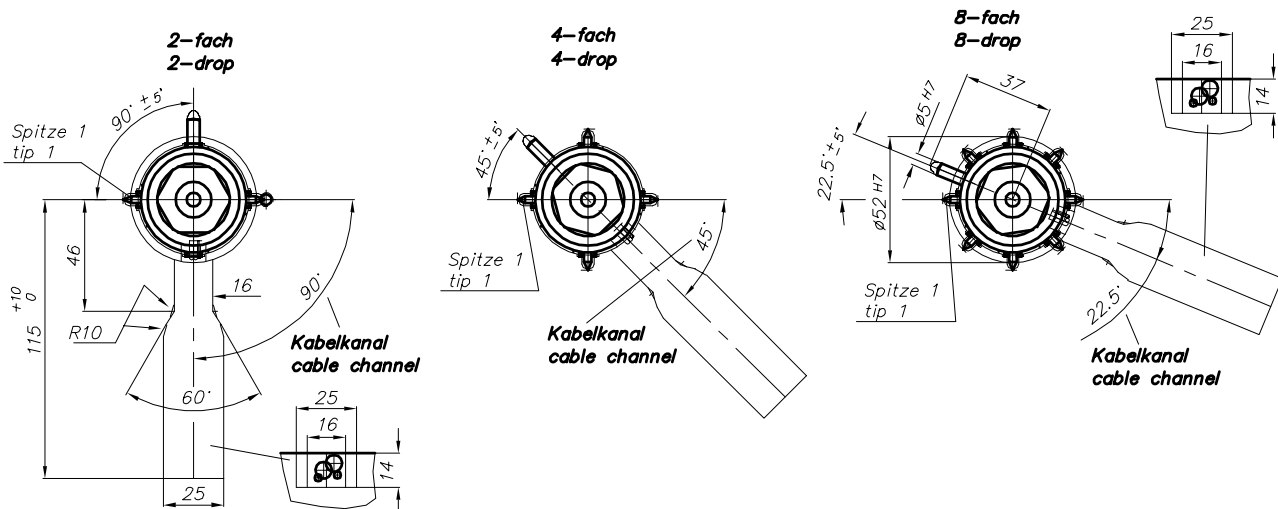
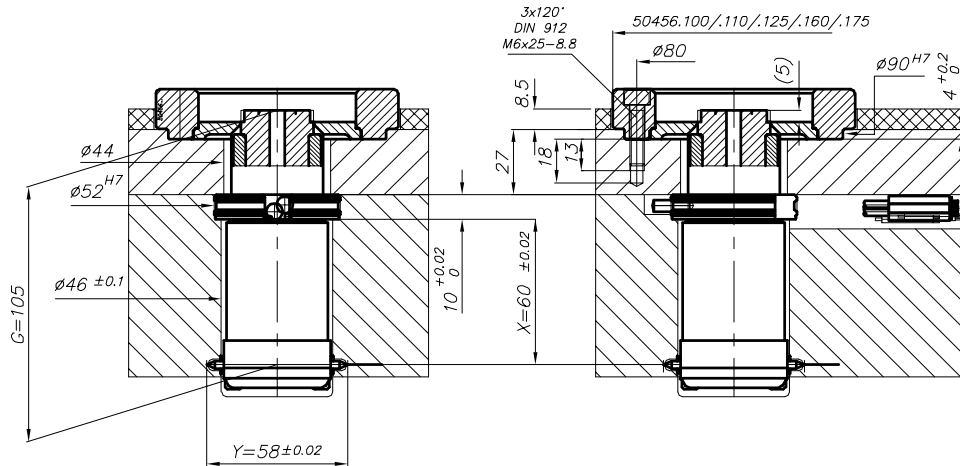
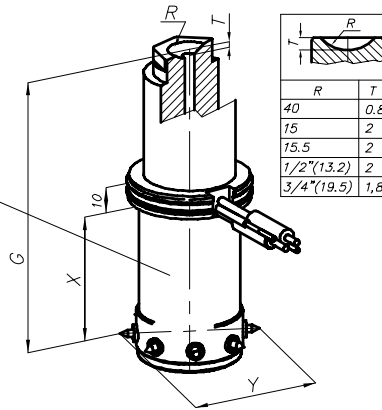
From dimension X
the installation is identical
to the system nozzle
installation (see right page)

ATTENTION!
The injection unit
contact pressure
must not exceed 30 KN

Beispiel/example
G=105

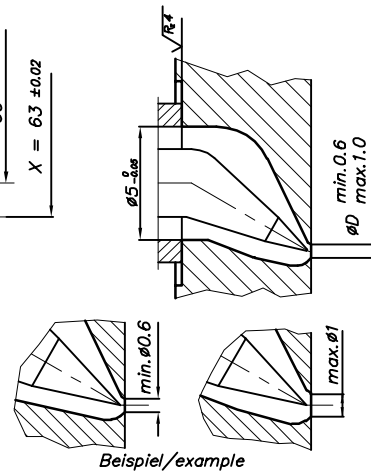
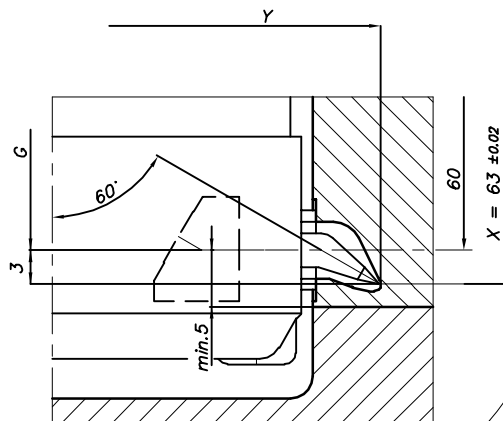
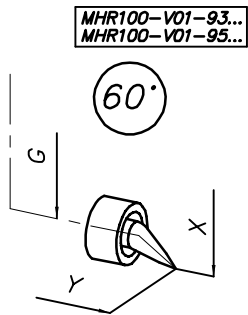
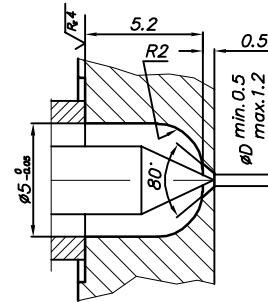
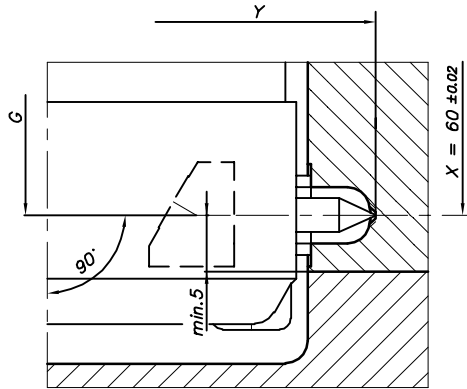
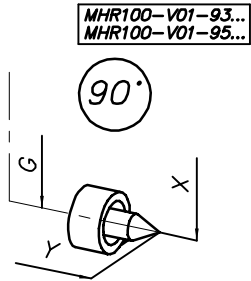


MHR100-V01-93...

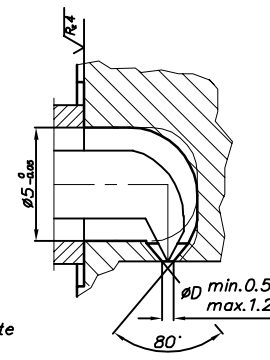
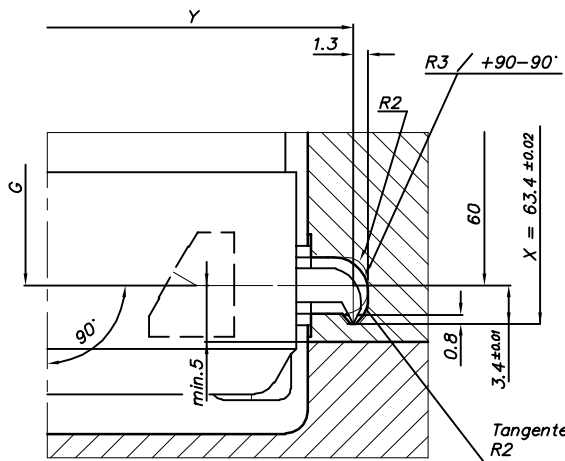
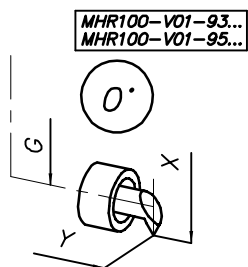


HPS III-MHR100 radial version

Details of gating geometries



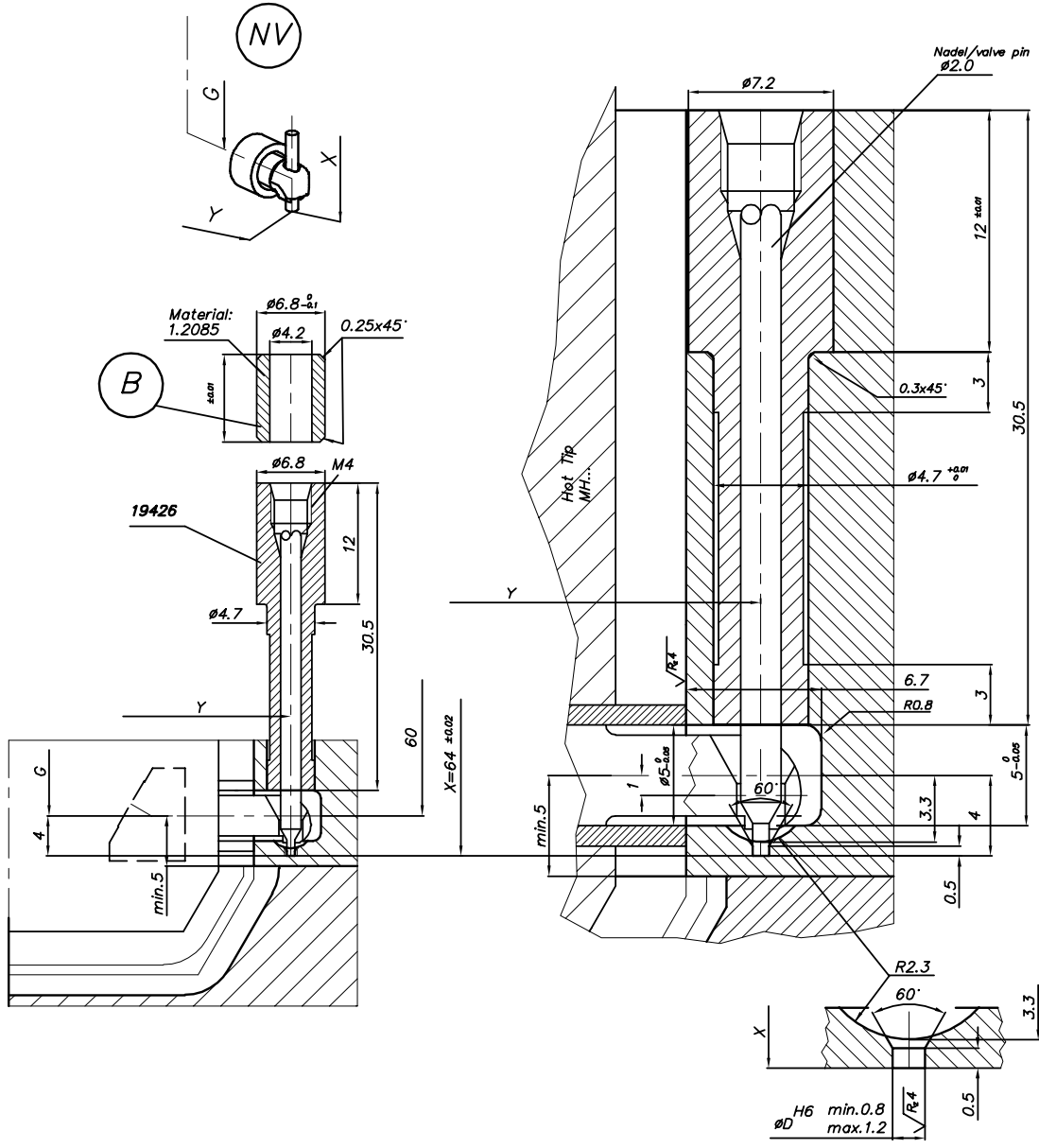
Enlarging ϕD results in a different gate contour



19426 = Valve pin guide and seal
(please also see page 7)

(B) = Distance sleeve, if required.
Not included in delivery.

MHR100-V01-93...
MHR100-V01-95...



EWIKON
Heißkanalsysteme GmbH
Siegener Straße 35
35066 Frankenberg / Germany
Tel: +49 6451 501-0
E-Mail: info@ewikon.com
www.ewikon.com

Your EWIKON partner: