



HPS III-MHR111 radial version

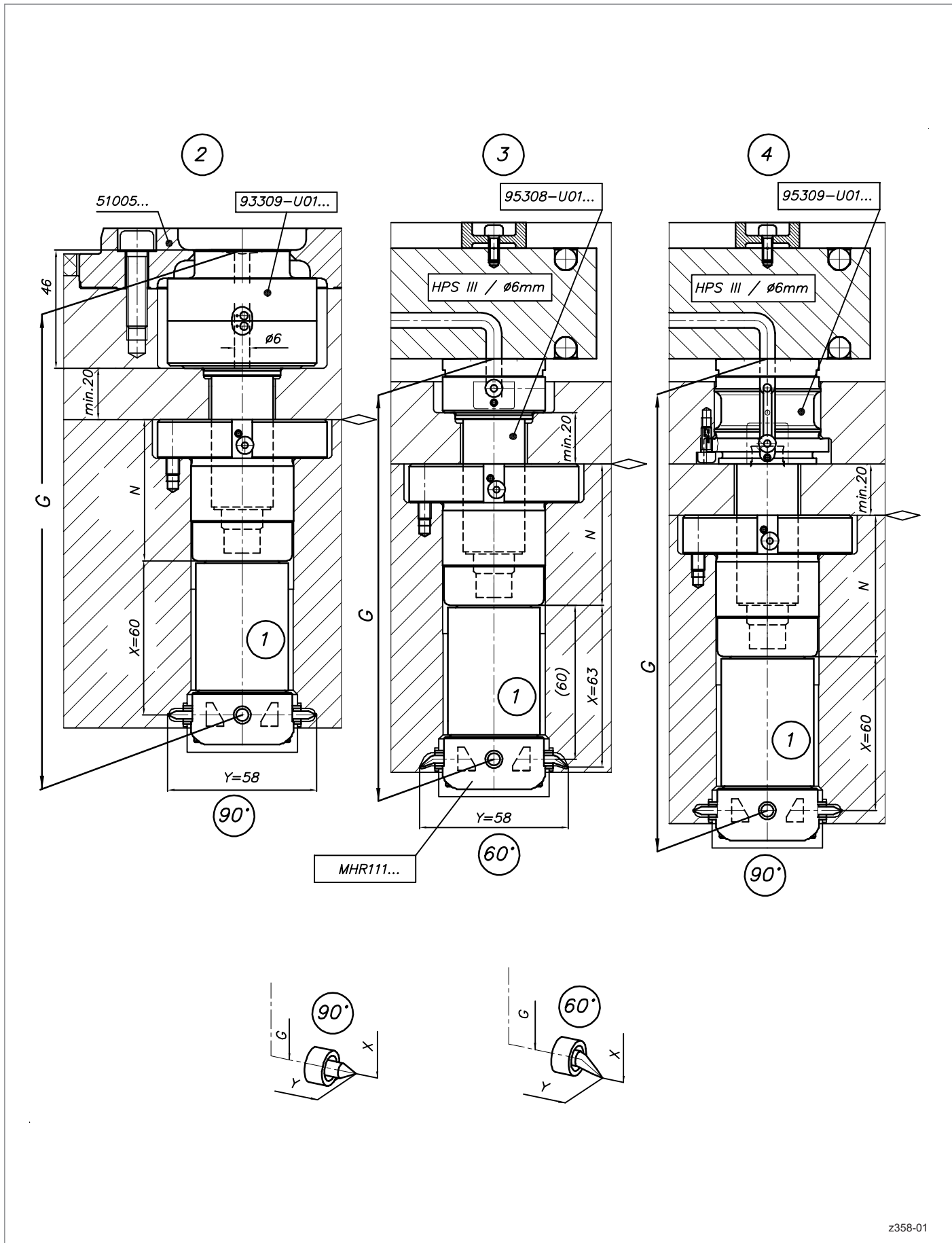
Technical data

Version 12/2018

HPS III-MHR111 radial version

Overview

- 1** HPS III-MHR111 radial version
for use with adapter nozzle
- 2** Adapter nozzle 93309-U01...
for use as single nozzle
- 3** Adapter nozzle 95308-U01...
Standard installation for use as system nozzle
- 4** Adapter nozzle 95309-U01...
Front installation for use as system nozzle



HPS III-MHR111 radial version

for use with adapter nozzle

Dimensions and tip versions

Number of tips	2, 4, 8											
Version	With adapter nozzle as single nozzle				With adapter nozzle as system nozzle for standard installation				With adapter nozzle as system nozzle for front installation			
Nozzle length (Dim. G) ⁽¹⁾	181	201	221	241	156	176	196	216	176	196	216	236
Height of nozzle holder (Dim. N)	55	75	95	115	55	75	95	115	55	75	95	115

Tip versions	90°	60°
Pitch diameter (Dim. Y)	58	58
Dim. X	60	63
Recommended gate diameters	0,5 - 1,2	0,6 - 1,0

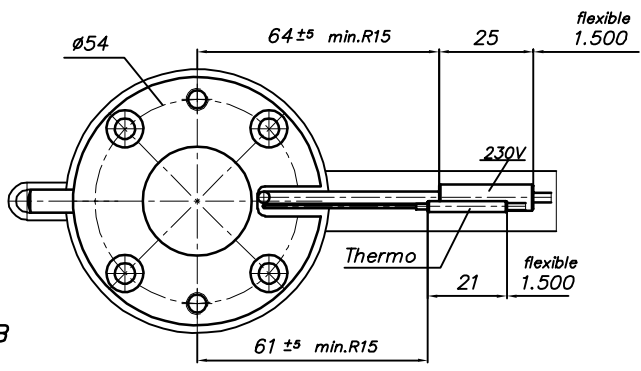
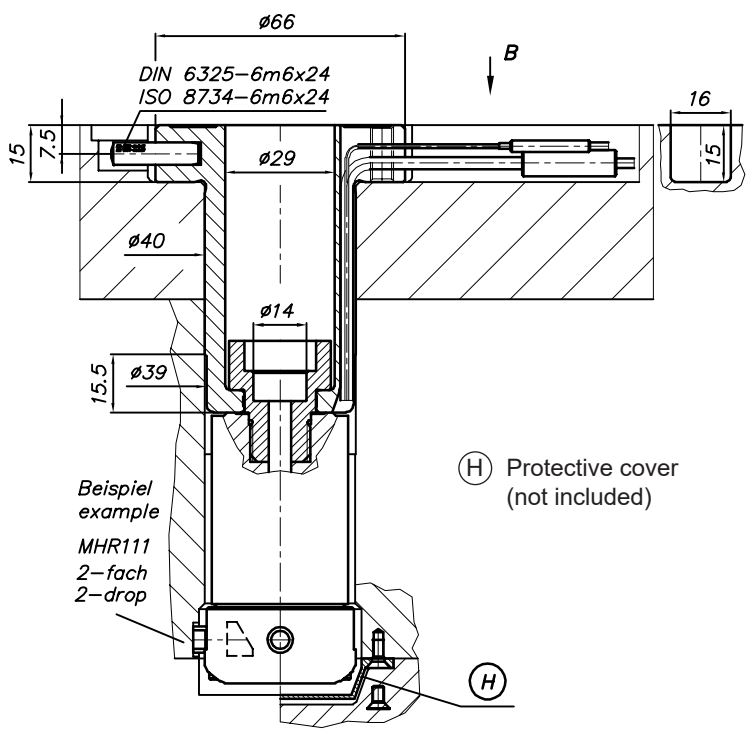
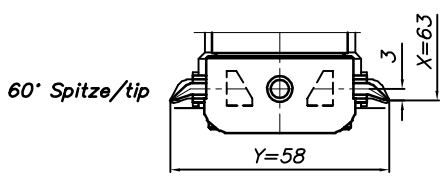
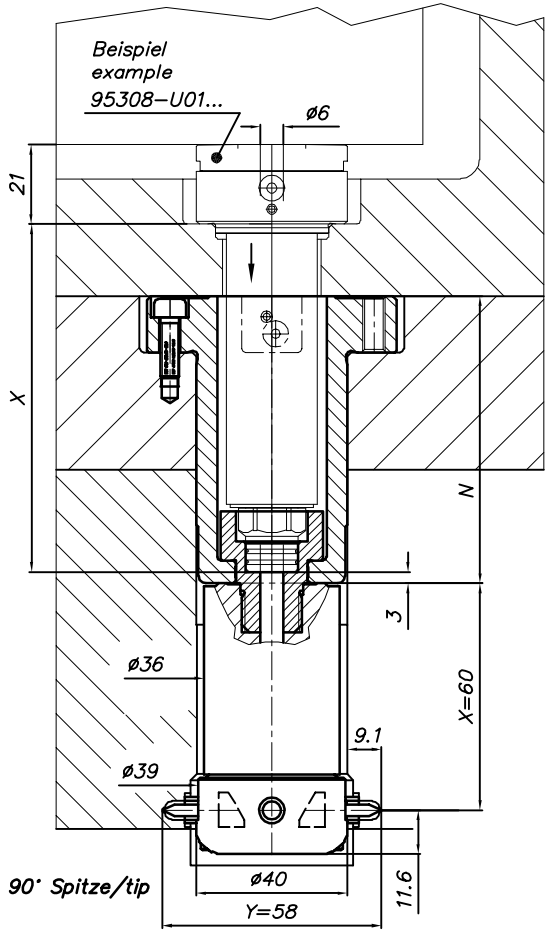
(1) Other nozzle lengths available on request

Item numbers:

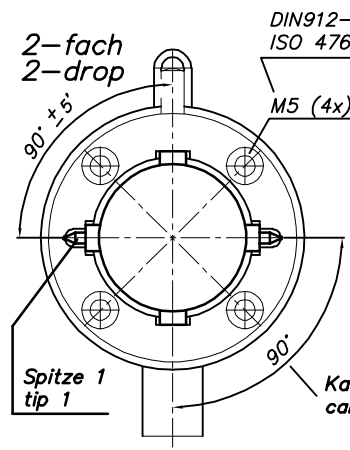
For use with adapter nozzle as system nozzle: **MHR111-95...**

For use with adapter nozzle as single nozzle: **MHR111-93...**

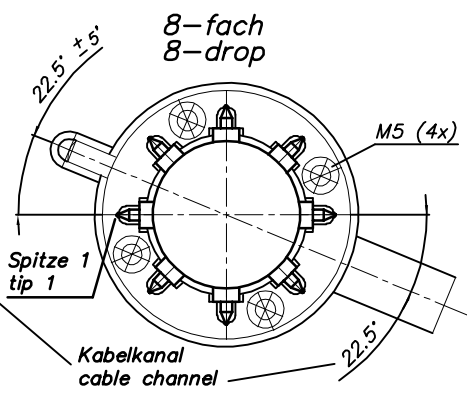
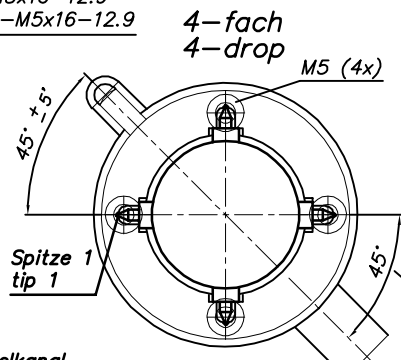
Each nozzle will be configured individually to suit your application requirements. Please contact us!



Ansicht B
View

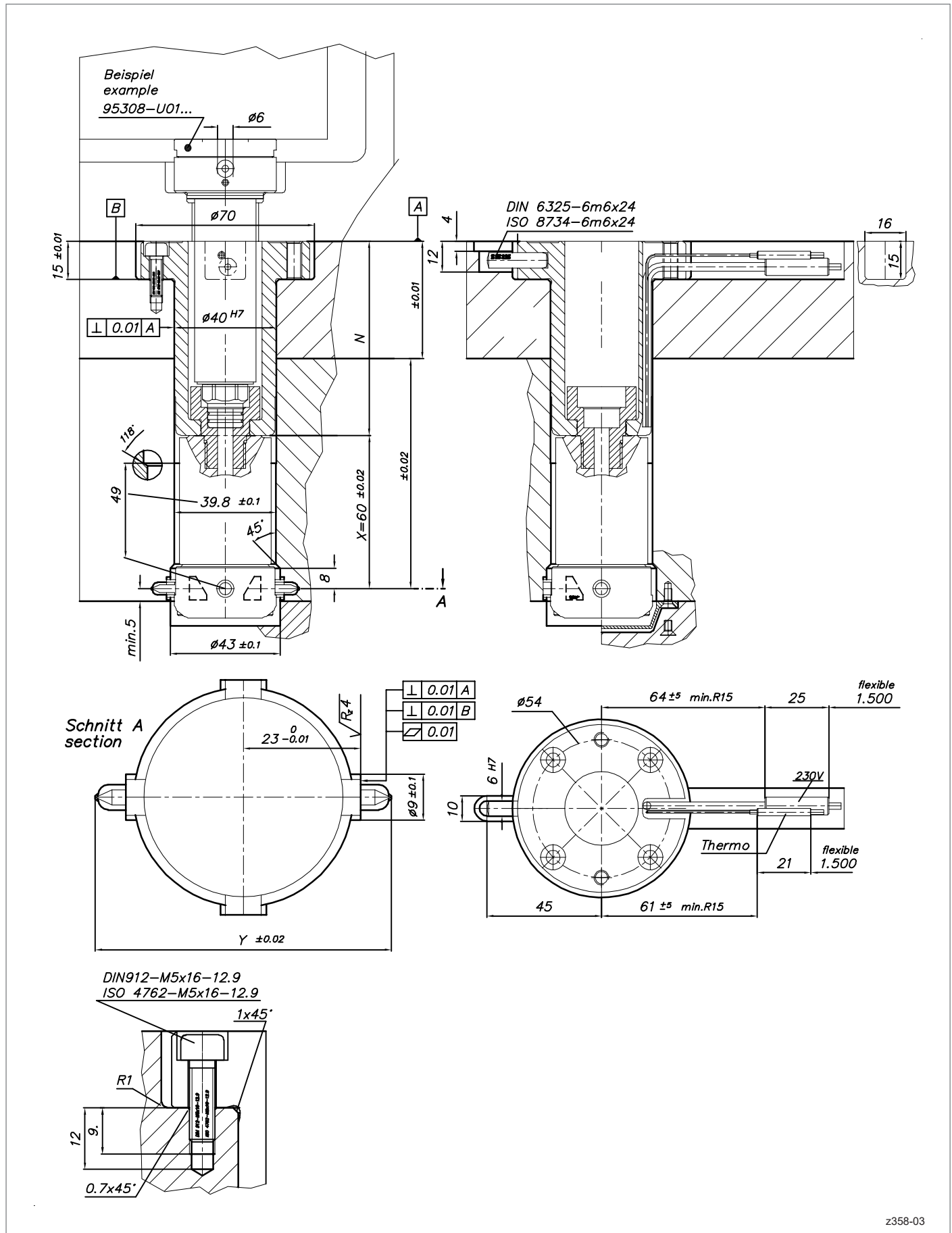


DIN912-M5x16-12.9
ISO 4762-M5x16-12.9



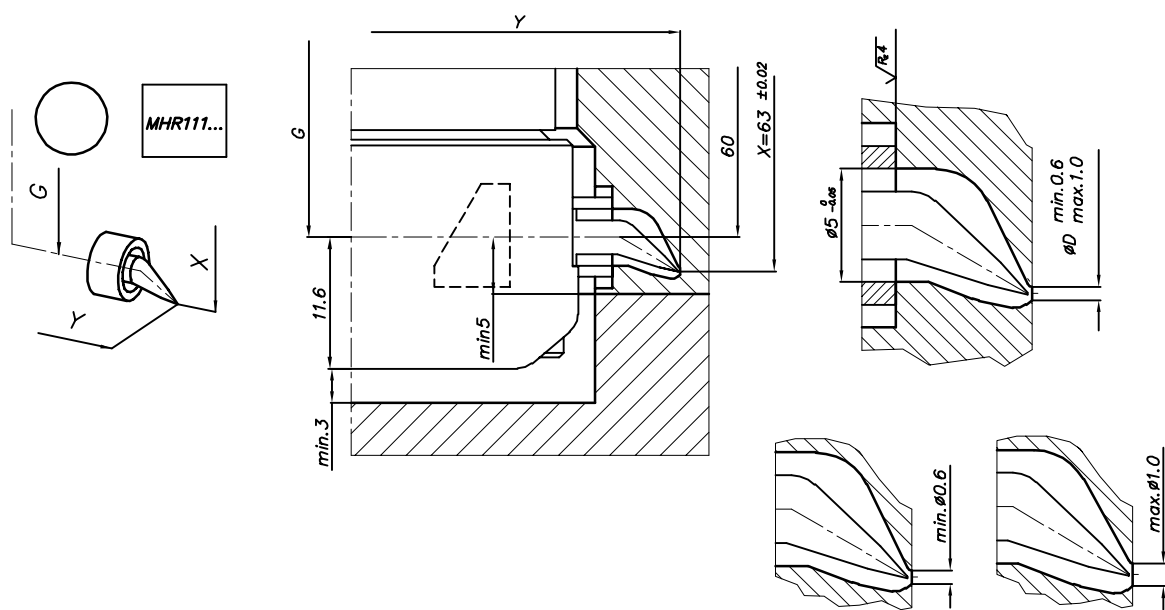
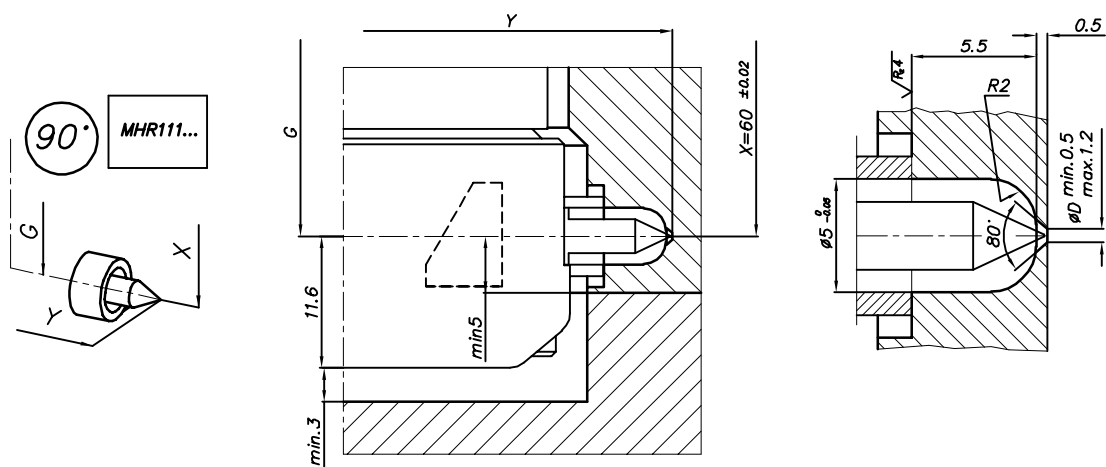
HPS III-MHR111 radial version

Installation



HPS III-MHR111 radial version

Details of gating geometries



Enlarging ØD results in a different gate contour

Adapter nozzle 93309-U01...

for use as single nozzle

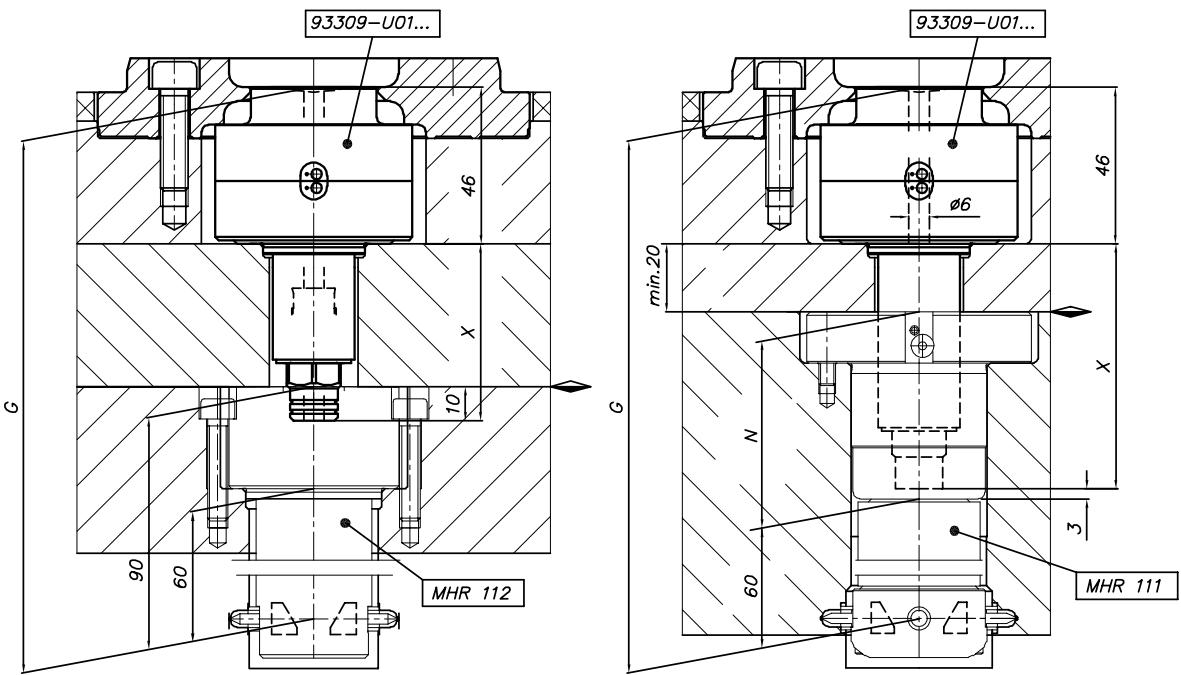
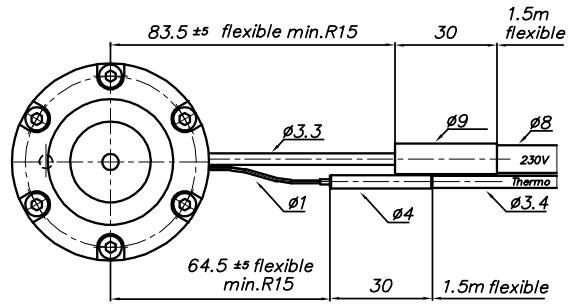
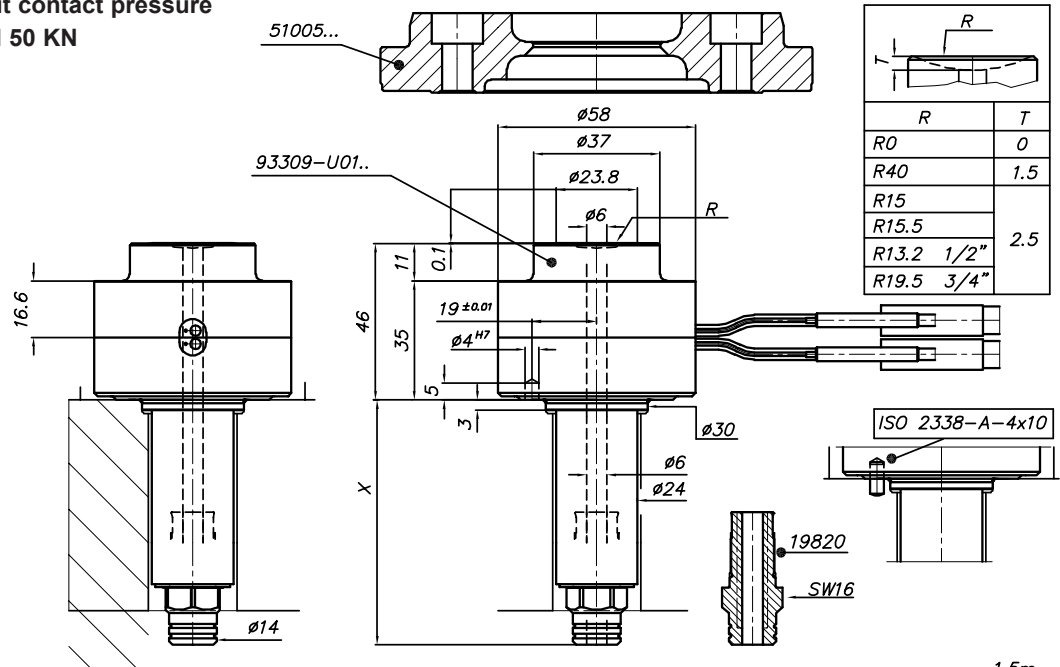
Dim. X	HPS III-MHR 111	HPS III-MHR 112
	Results in Dim. G	Results in Dim. G
52	-	178
72	181	198
92	201	218
112	221	238
132	241	258
152	-	278

Ordering example:

93309-U01.072-040

Machine radius R
Dim. X
Type

ATTENTION!
The injection unit contact pressure must not exceed 50 KN



Adapter nozzle 93309-U01...

Locating ring / Assembly note

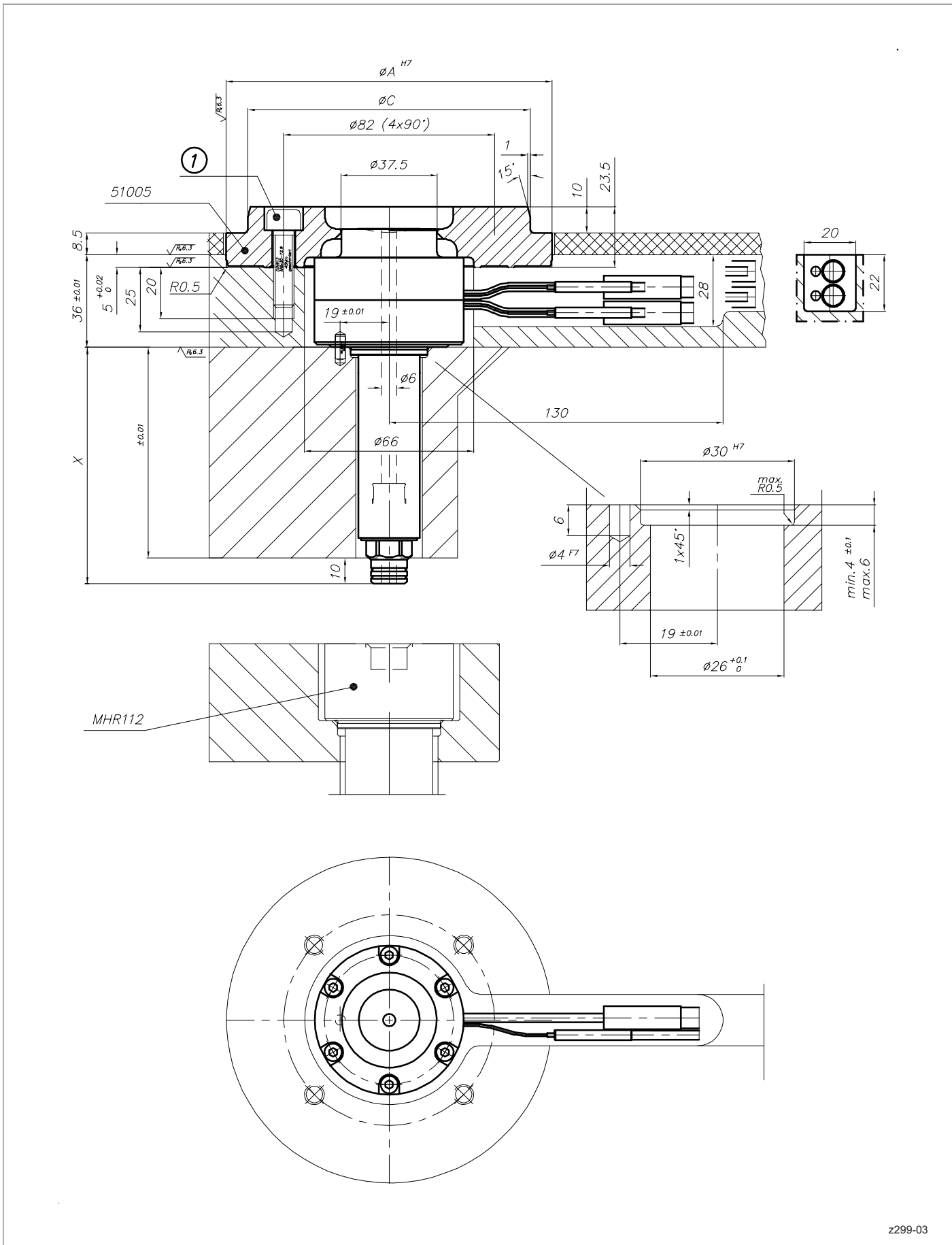
Locating ring 51005 . . .

Plate thickness 36 mm

1 Screws:

4 x DIN 912, M8 x 30-12.9, 45 Nm lubricated

Item number	Ø A	Ø C
51005.100	117	99.80
51005.000	118	101.34
51005.110	127	109.80
51005.125	142	124.80
51005.160	177	158.80
51005.175	192	174.80



Adapter nozzle 95308-U01...

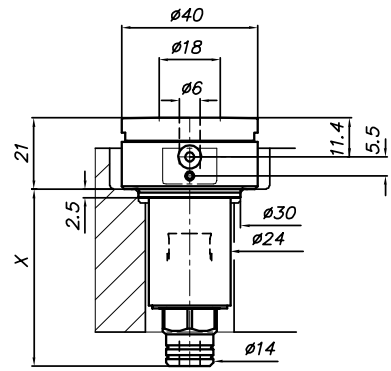
Standard installation for use as system nozzle

Dim. X	HPS III-MHR 111	HPS III-MHR 112
	Results in Dim. G	Results in Dim. G
52	-	153
72	156	173
92	176	193
112	196	213
132	216	233
152	-	253
172	-	273

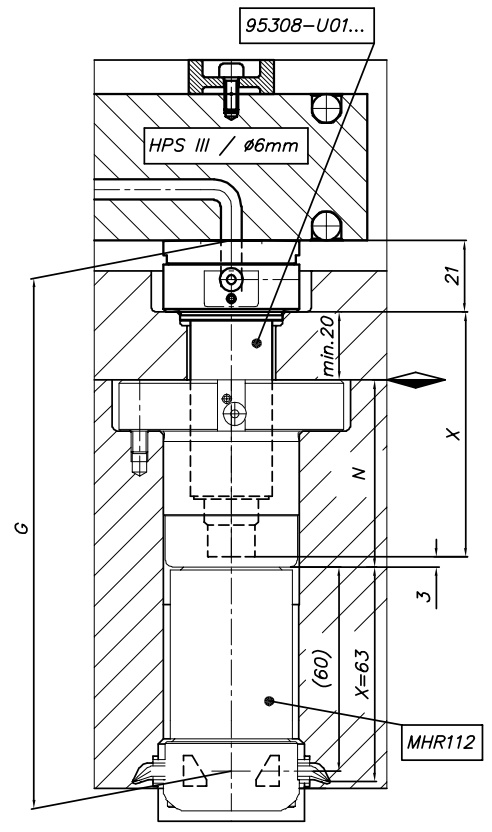
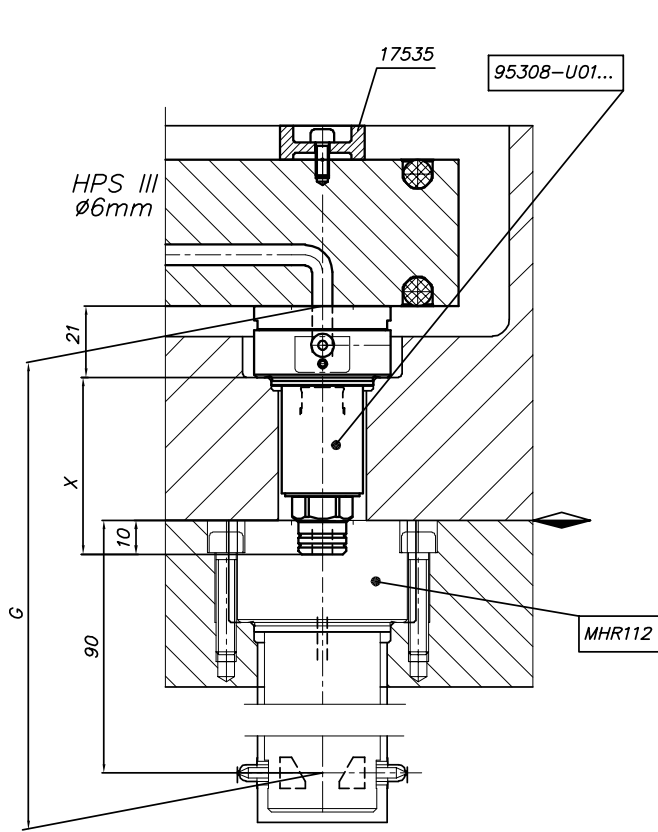
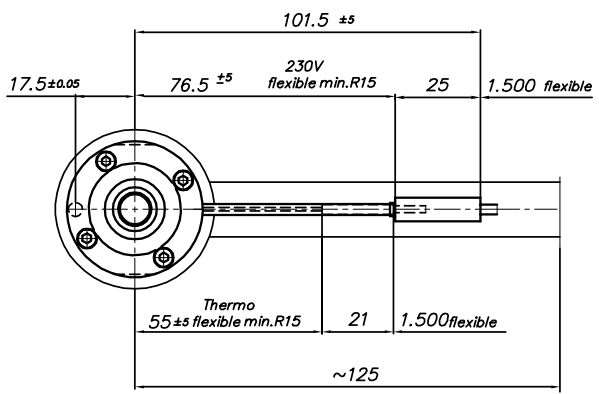
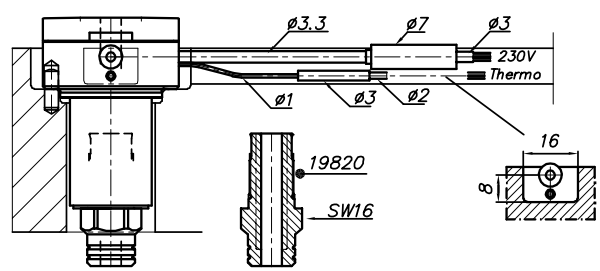
Ordering example:

95308-U01.072

└─ Type └─ Dim. X

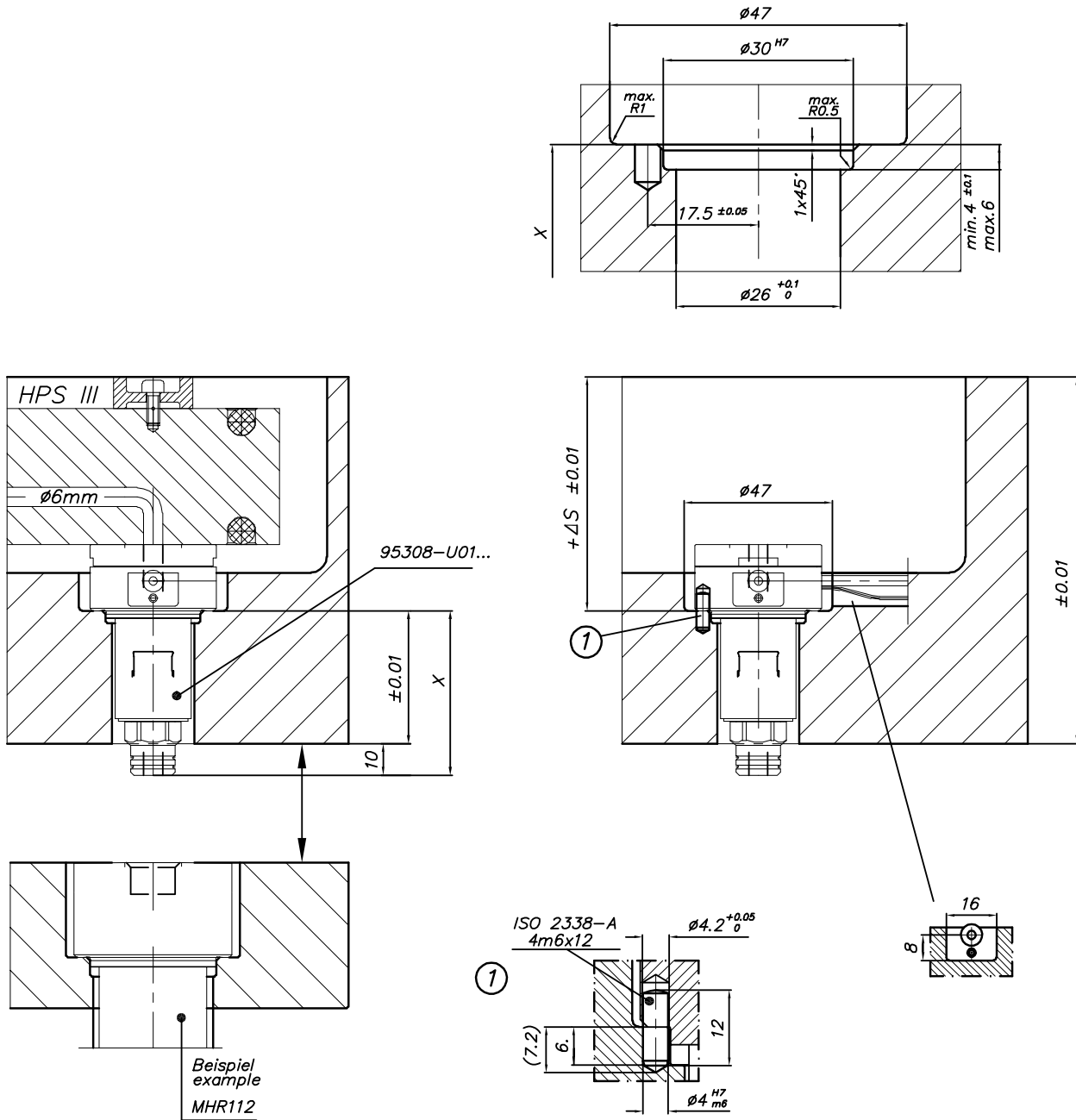


95308-U01...



Adapter nozzle 95308-U01...

Installation



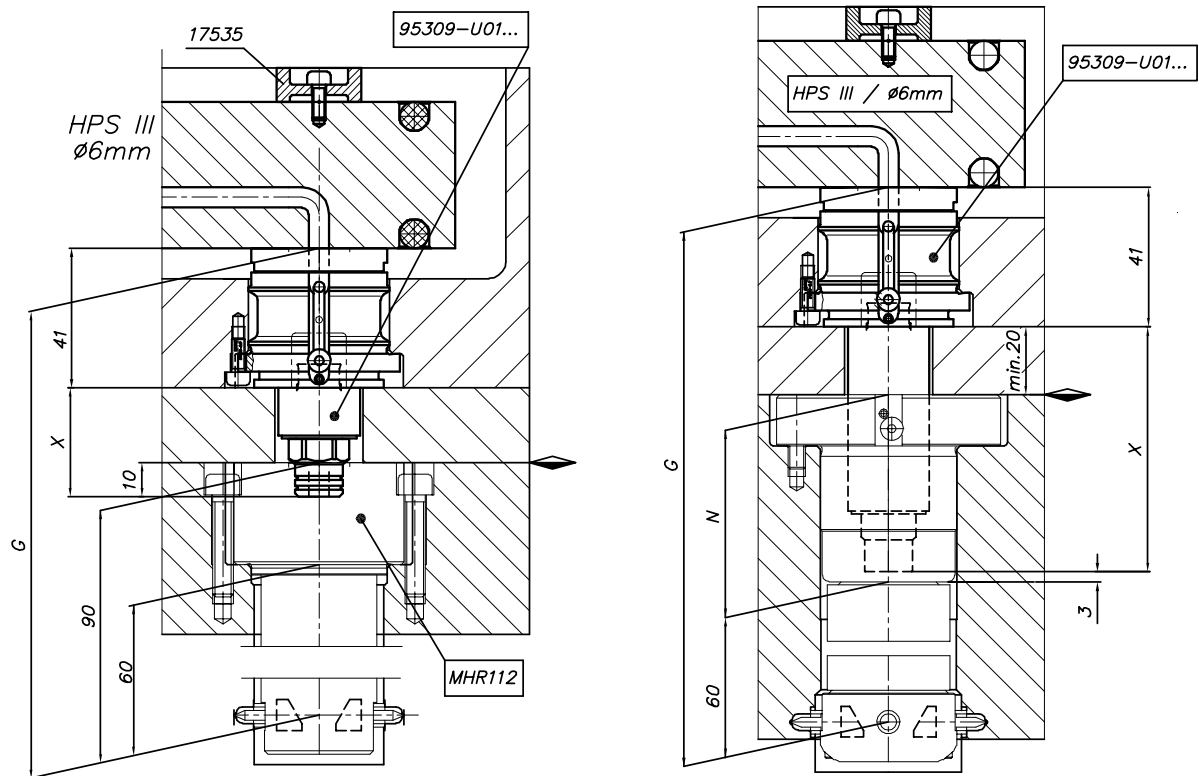
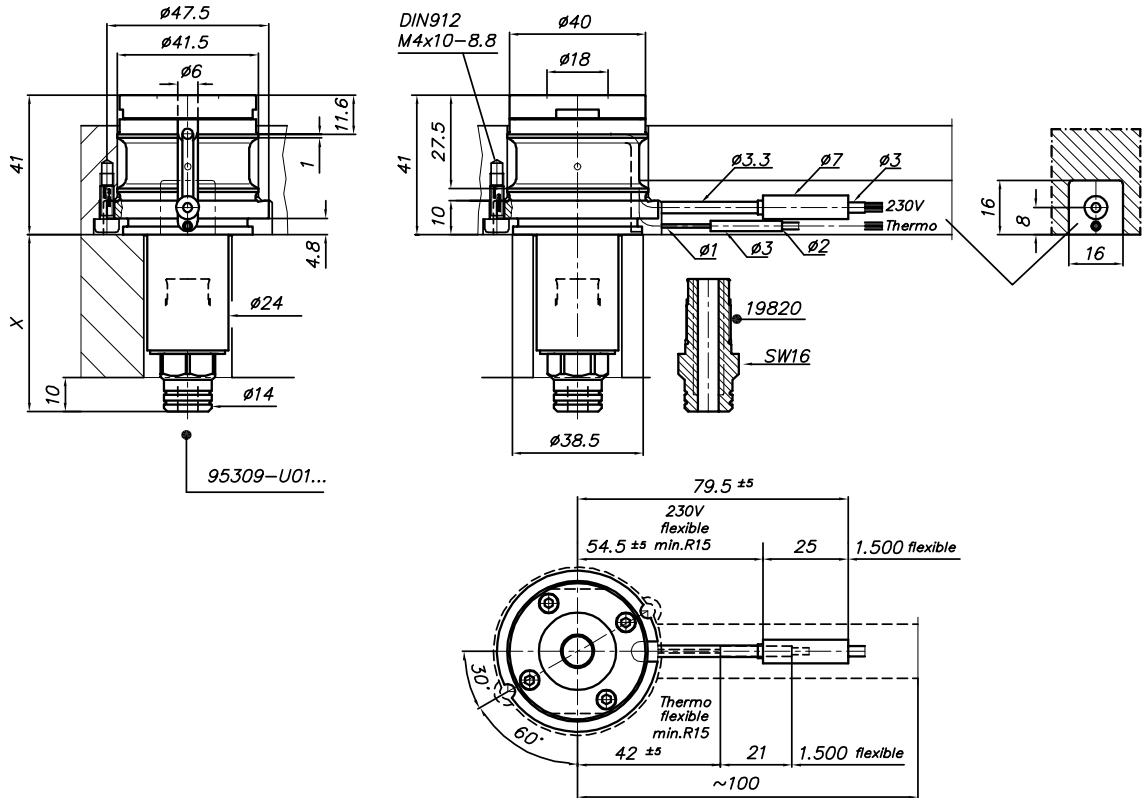
Adapter nozzle 95309-U01...

Front installation for use as system nozzle

Dim. X	HPS III-MHR 111	HPS III-MHR 112
	Results in Dim. G	Results in Dim. G
52	-	173
72	176	193
92	196	213
112	216	233
132	236	253
152	-	273

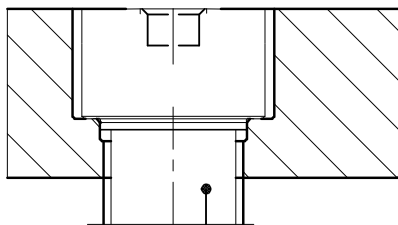
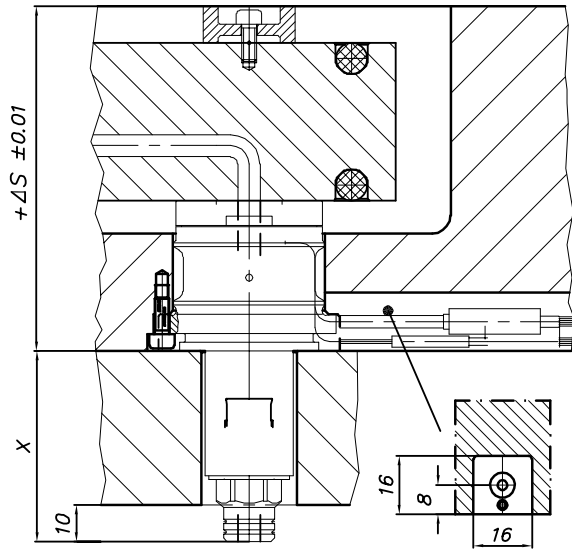
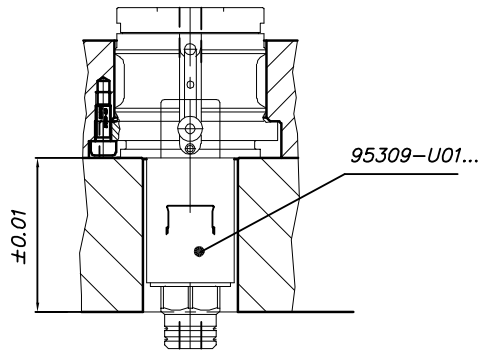
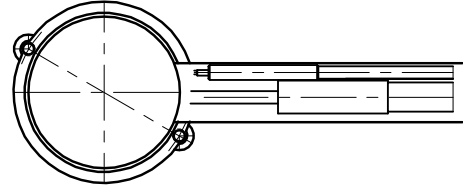
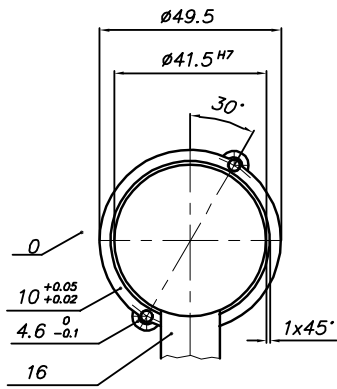
Ordering example:

95309-U01.072
└─ Type ─┬─ Dim. X

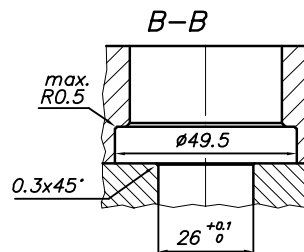
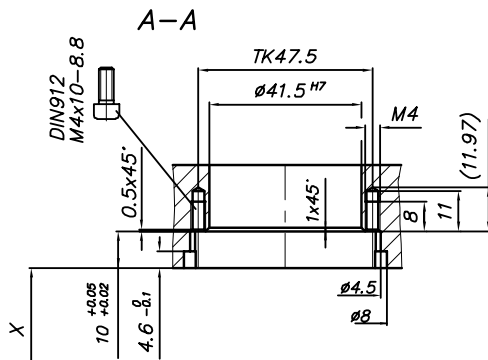
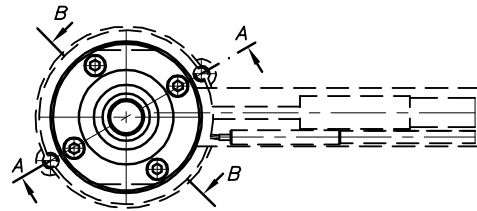


Adapter nozzle 95309-U01...

Installation



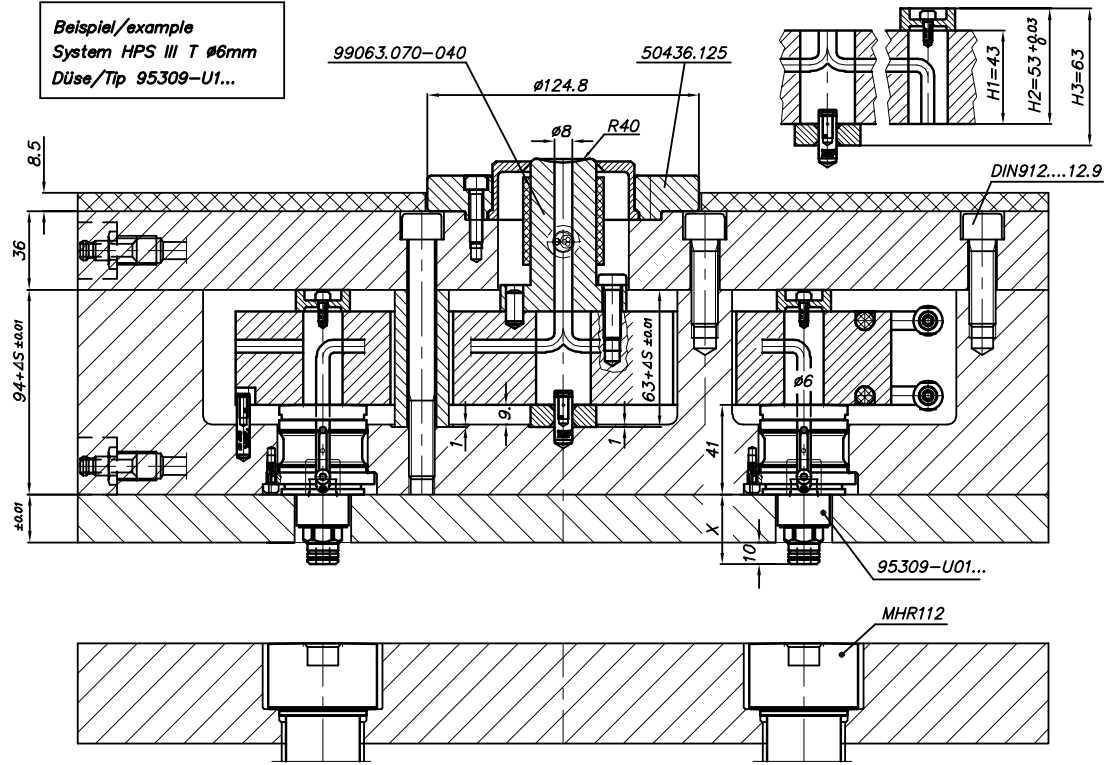
Beispiel
 example
 MHR112



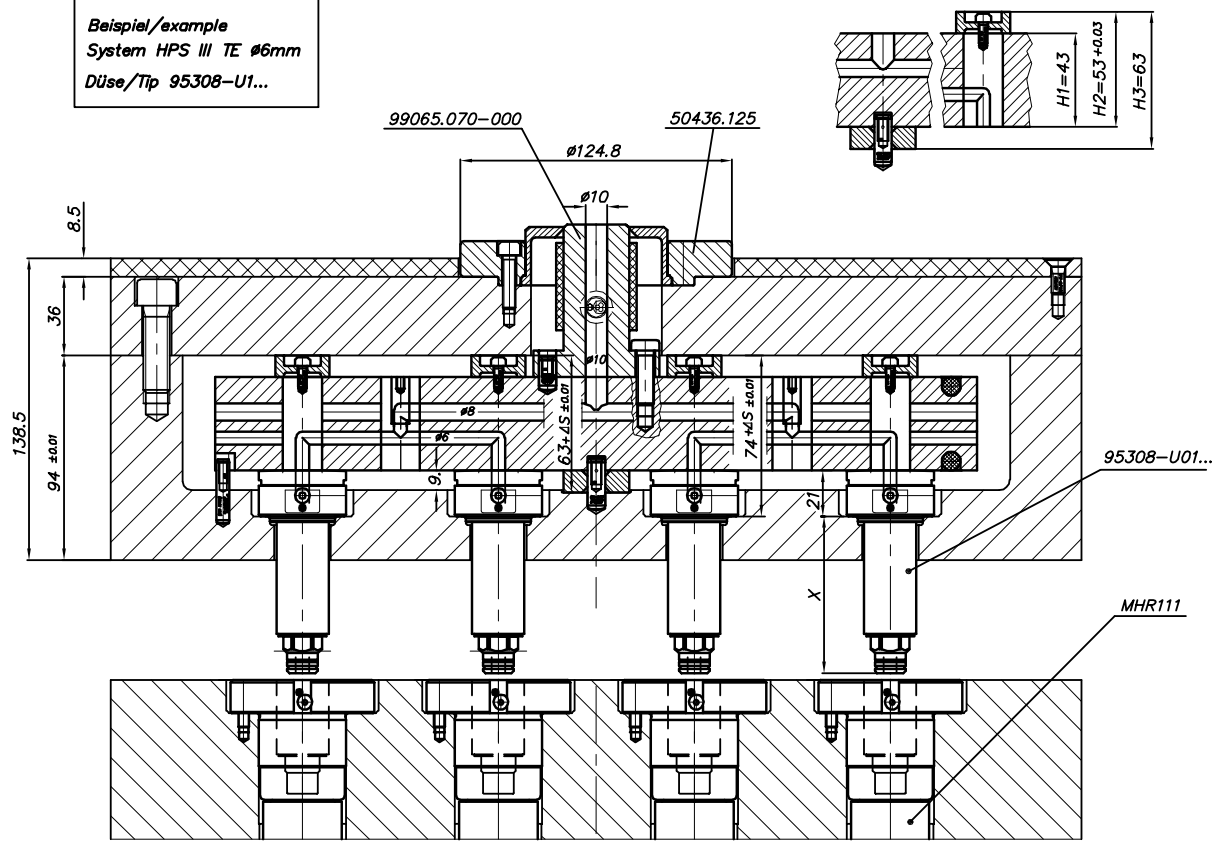
Adapter nozzle 95308-U01... / 95309-U01...

Assembly examples

Beispiel/example
System HPS III T $\varnothing 6\text{mm}$
Düse/Tip 95309-U1...



Beispiel/example
System HPS III TE $\varnothing 6\text{mm}$
Düse/Tip 95308-U1...



EWIKON
Heißkanalsysteme GmbH
Siegener Straße 35
35066 Frankenberg / Germany
Tel: +49 6451 501-0
E-Mail: info@ewikon.com
www.ewikon.com

Your EWIKON partner: