



## **HPS III-MHR112 radial version**

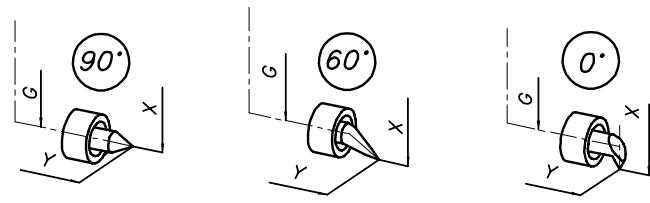
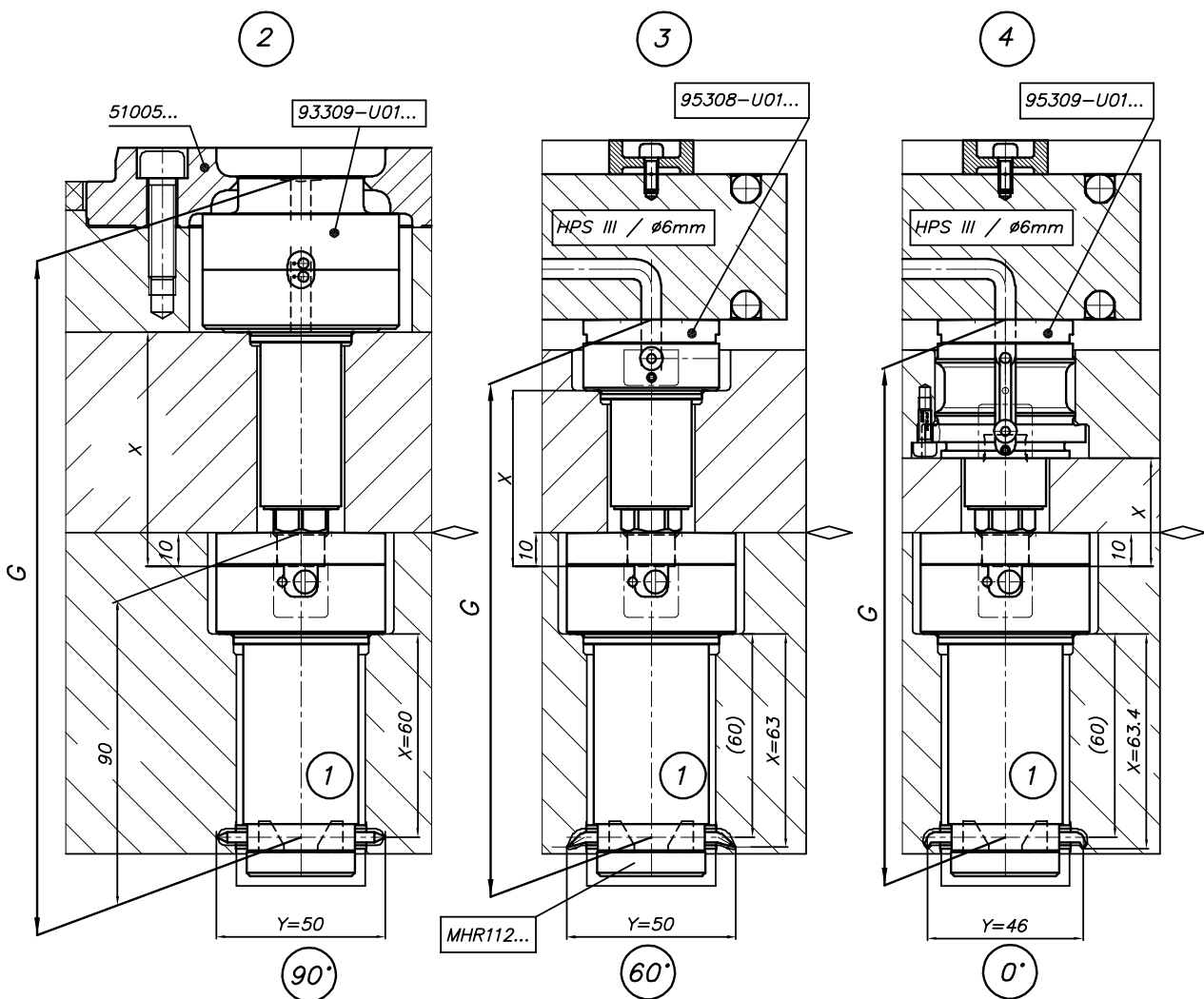
Technical data

Version 12/2018

# HPS III-MHR**112** radial version

## Overview

- 1** HPS III-MHR**112** radial version  
for use with adapter nozzle
- 2** Adapter nozzle 93309-U01...  
for use as single nozzle
- 3** Adapter nozzle 95308-U01...  
Standard installation for use as system nozzle
- 4** Adapter nozzle 95309-U01...  
Front installation for use as system nozzle



# HPS III-MHR112 radial version

for use with adapter nozzle

## Dimensions and tip versions

Number of tips	1, 2		
Version	With adapter nozzle as single nozzle	With adapter nozzle as system nozzle for standard installation	With adapter nozzle as system nozzle for front installation
Nozzle length ( <b>Dim. G</b> ) (1)	178, 198, 218, 238, 258, 278	153, 173, 193, 213, 233, 253, 273	173, 193, 213, 233, 253, 273

Tip versions	90°	60°	0°
Pitch diameter ( <b>Dim. Y</b> )	50	50	46
<b>Dim. X</b>	60	63	63.4
Recommended gate diameters	0.5 - 1.2	0.6 - 1.0	0.5 - 1.2

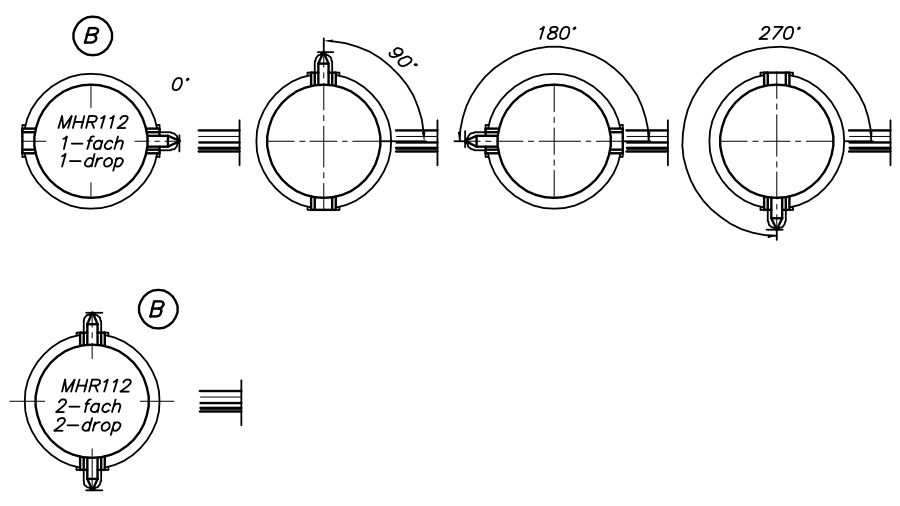
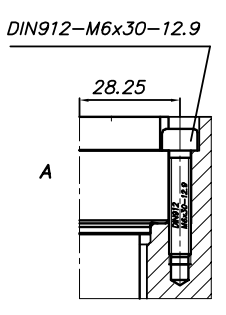
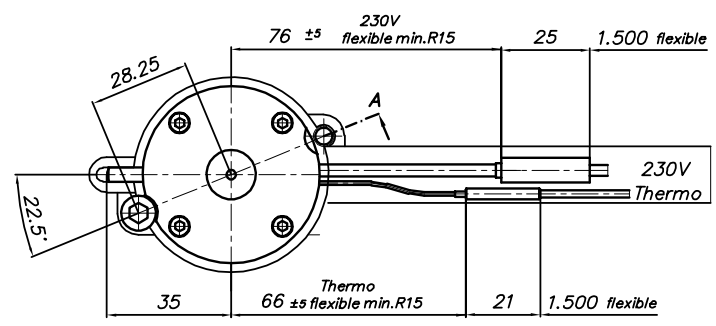
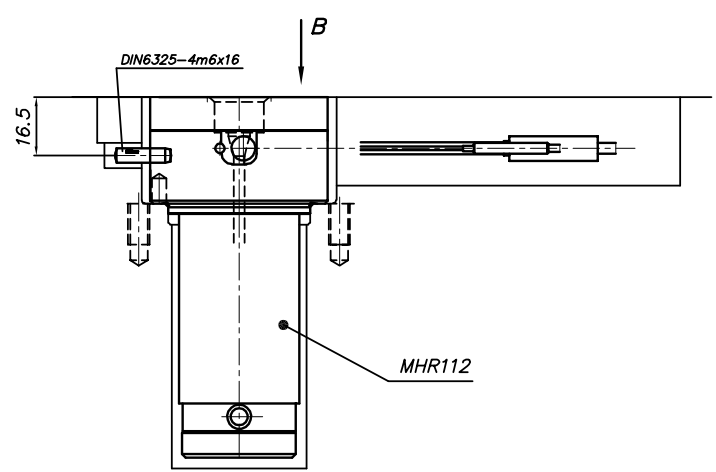
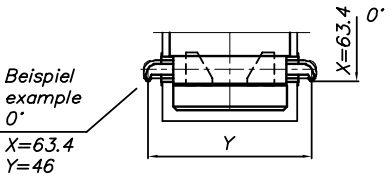
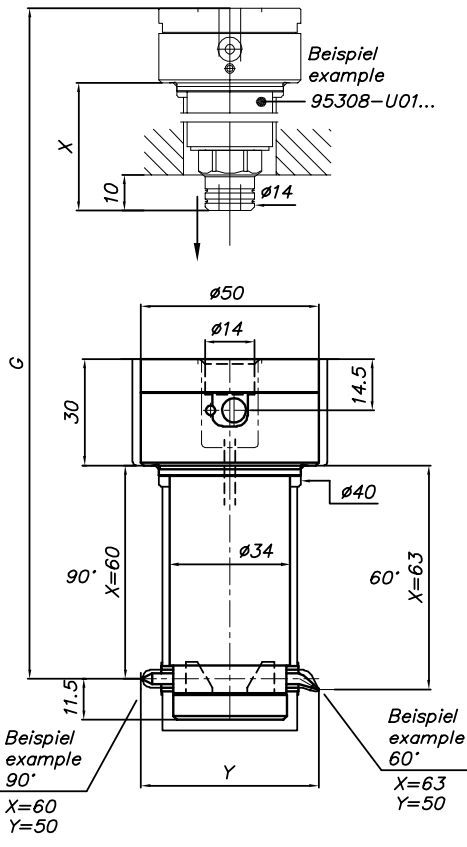
(1) Other nozzle lengths available on request

### Item numbers:

For use with adapter nozzle as system nozzle: **MHR112-95...**

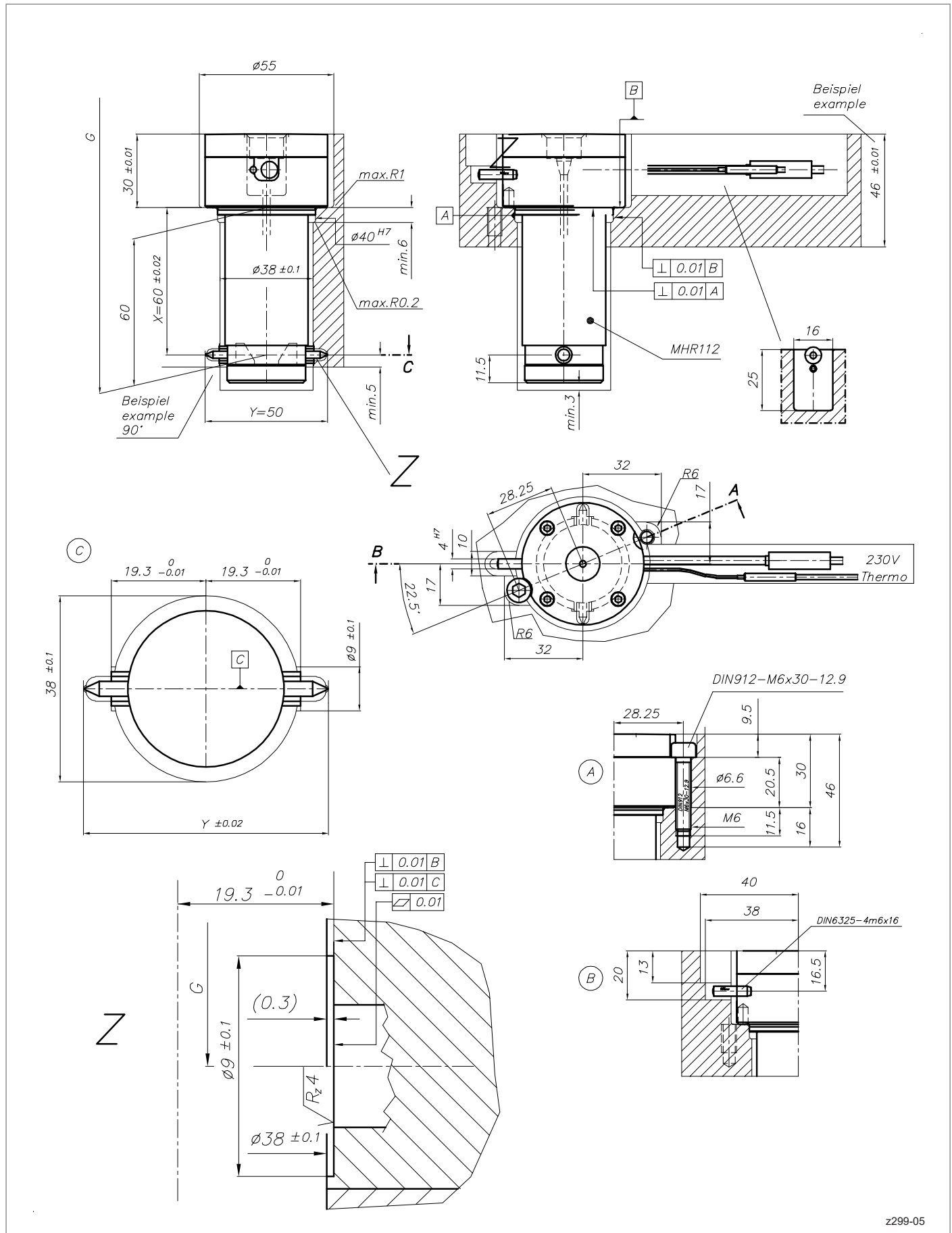
For use with adapter nozzle as single nozzle: **MHR112-93...**

**Each nozzle will be configured individually to suit your application requirements. Please contact us!**



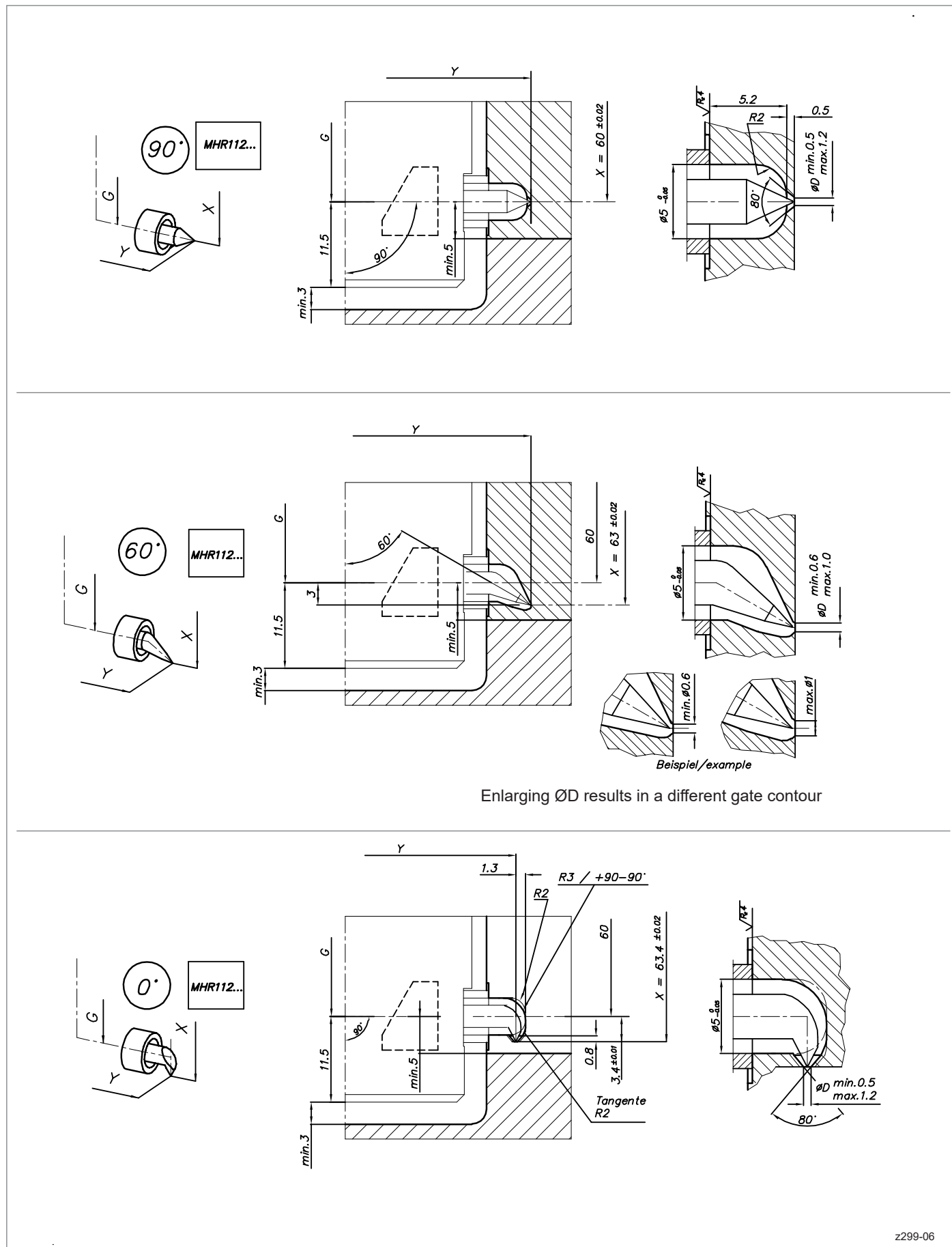
# HPS III-MHR112 radial version

## Installation



# HPS III-MHR112 radial version

Details of gating geometries



Enlarging  $\phi D$  results in a different gate contour

# Adapter nozzle 93309-U01...

for use as single nozzle

Dim. X	HPS III-MHR 111	HPS III-MHR 112
	Results in Dim. G	Results in Dim. G
52	-	178
72	181	198
92	201	218
112	221	238
132	241	258
152	-	278

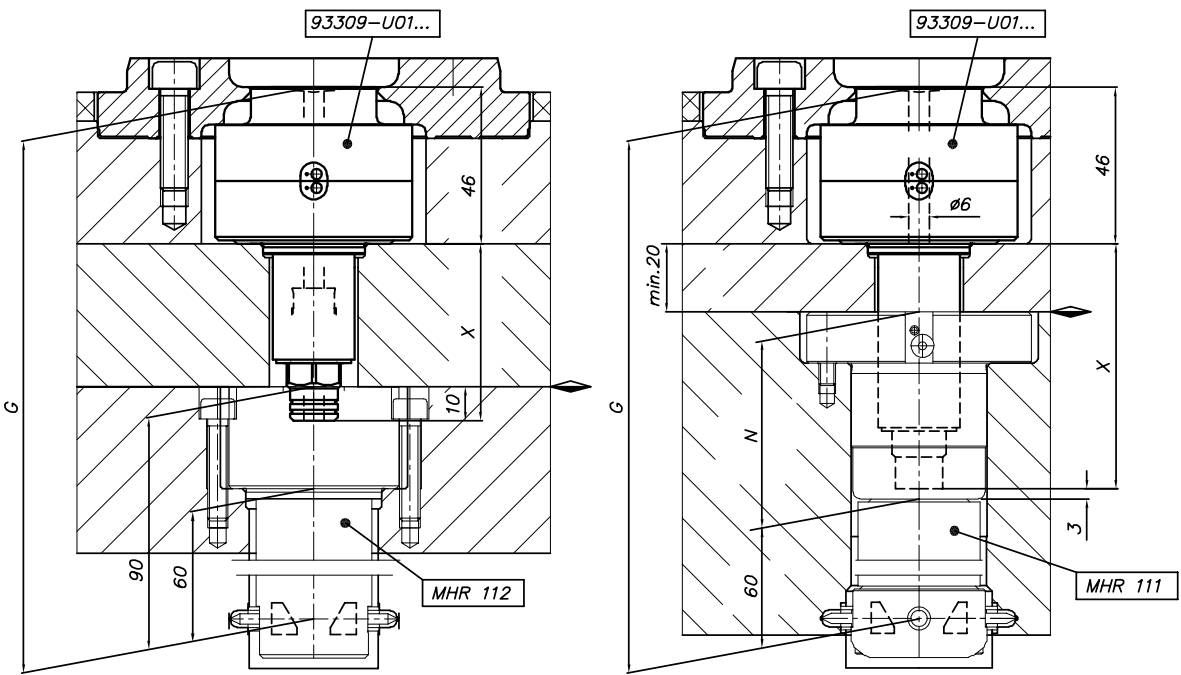
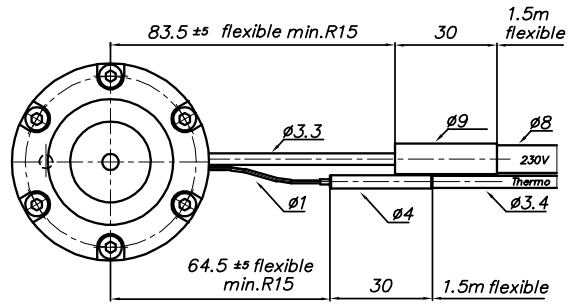
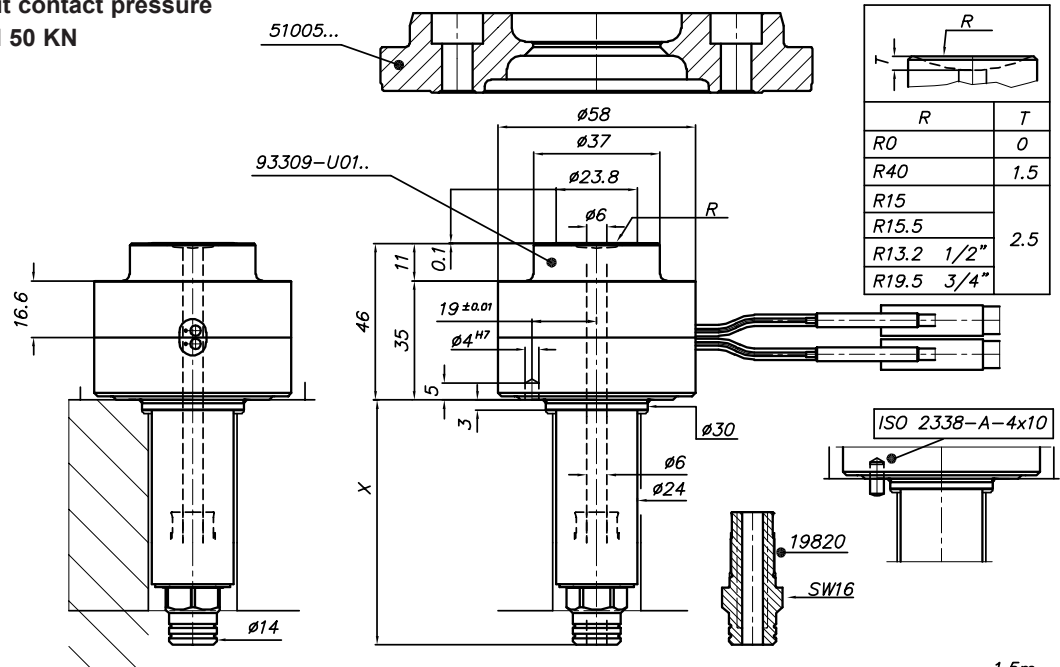
## Ordering example:

**93309-U01.072-040**

Machine radius R  
Dim. X  
Type



**ATTENTION!**  
The injection unit contact pressure must not exceed 50 KN



# Adapter nozzle 93309-U01...

Locating ring / Assembly note

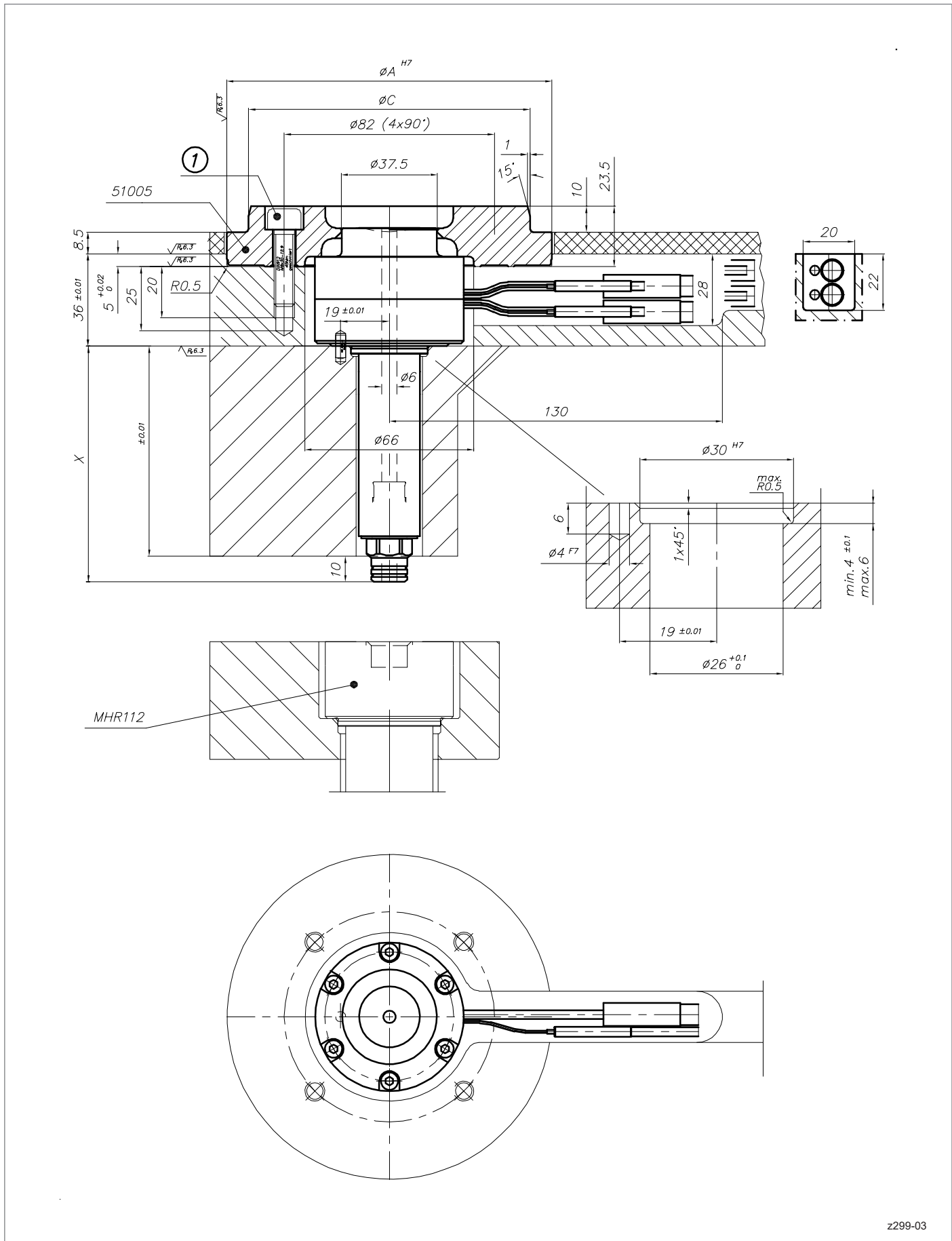
## Locating ring 51005 . . .

Plate thickness 36 mm

1 Screws:

4 x DIN 912, M8 x 30-12.9, 45 Nm lubricated

Item number	Ø A	Ø C
51005.100	117	99.80
51005.000	118	101.34
51005.110	127	109.80
51005.125	142	124.80
51005.160	177	158.80
51005.175	192	174.80



z299-03

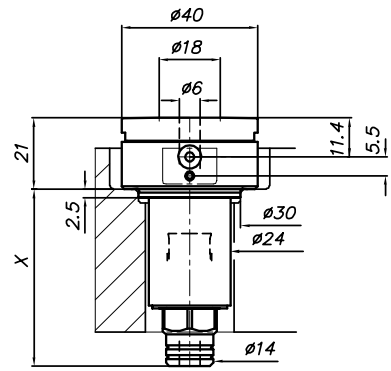
## Adapter nozzle 95308-U01...

Standard installation for use as system nozzle

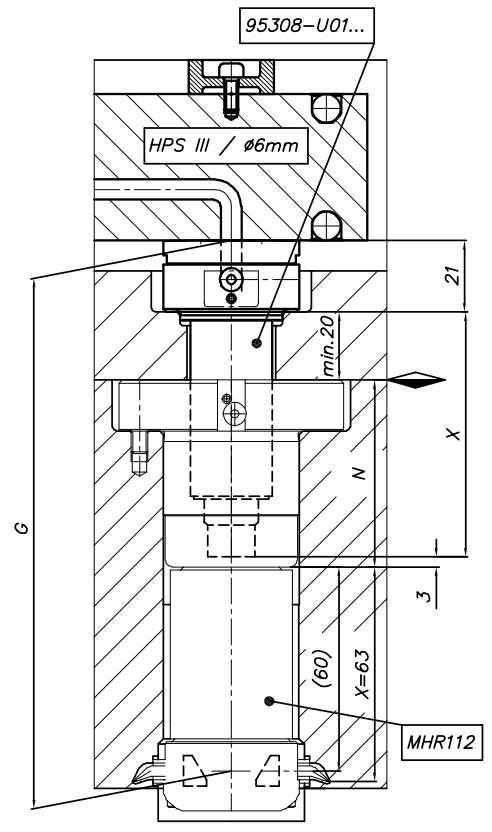
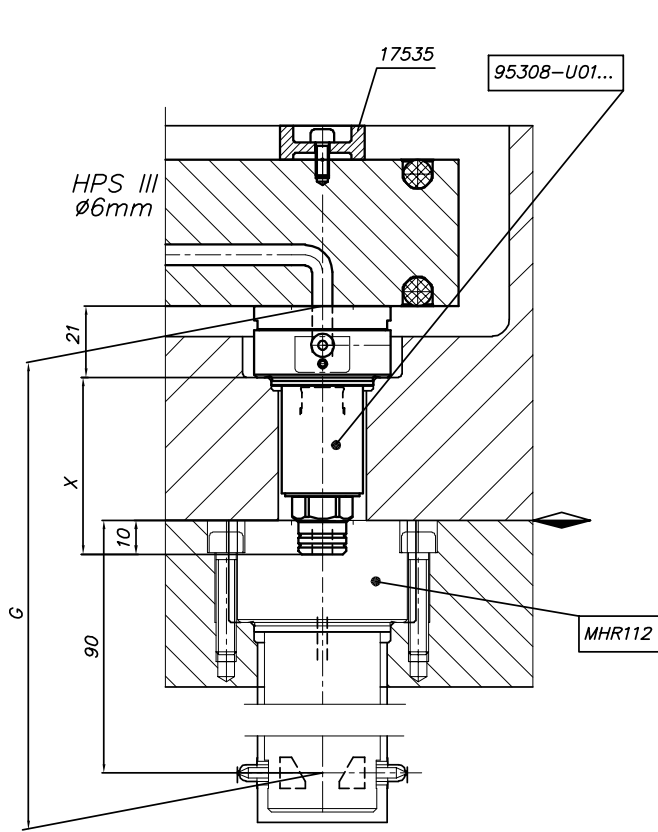
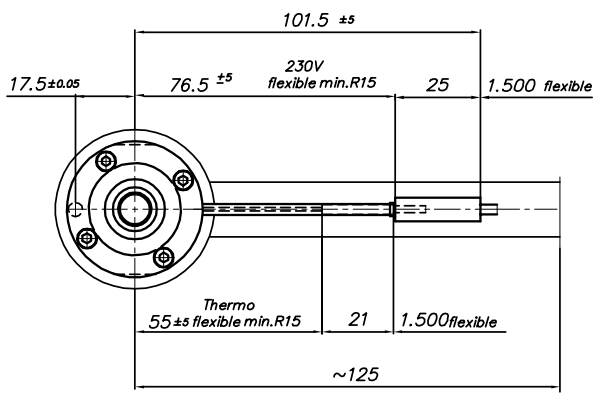
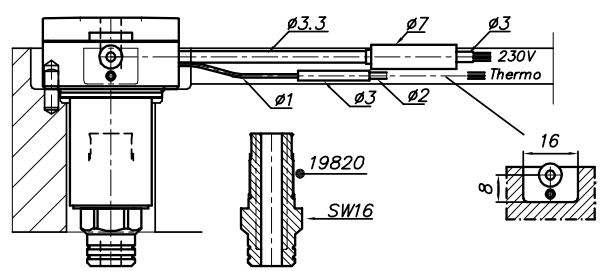
Dim. X	HPS III-MHR 111	HPS III-MHR 112
	Results in Dim. G	Results in Dim. G
52	-	153
72	156	173
92	176	193
112	196	213
132	216	233
152	-	253
172	-	273

### Ordering example:

**95308-U01.072**  
└─ Type ─┬─ Dim. X  
          └─ 072

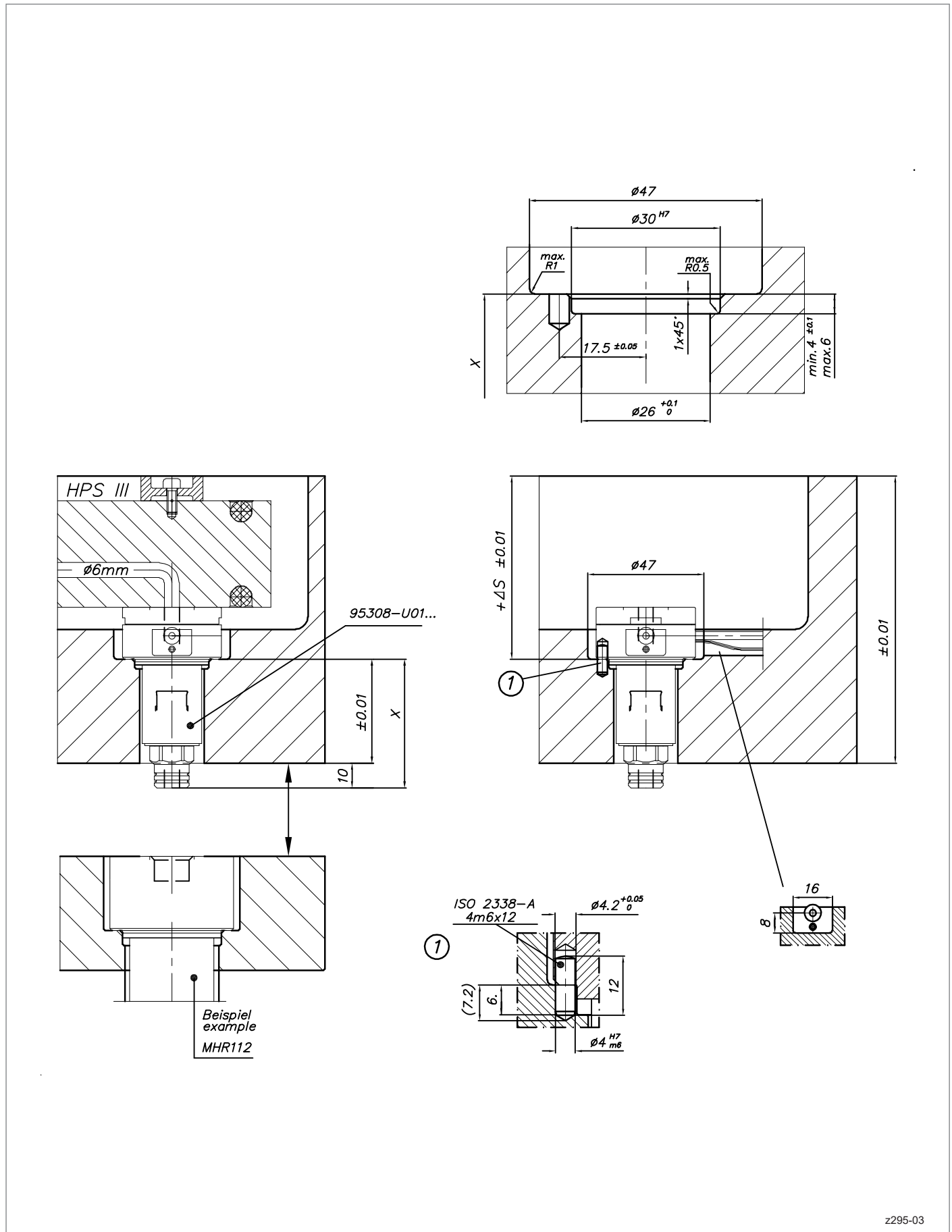


95308-U01...



# Adapter nozzle 95308-U01...

## Installation





# Adapter nozzle 95309-U01...

Front installation for use as system nozzle

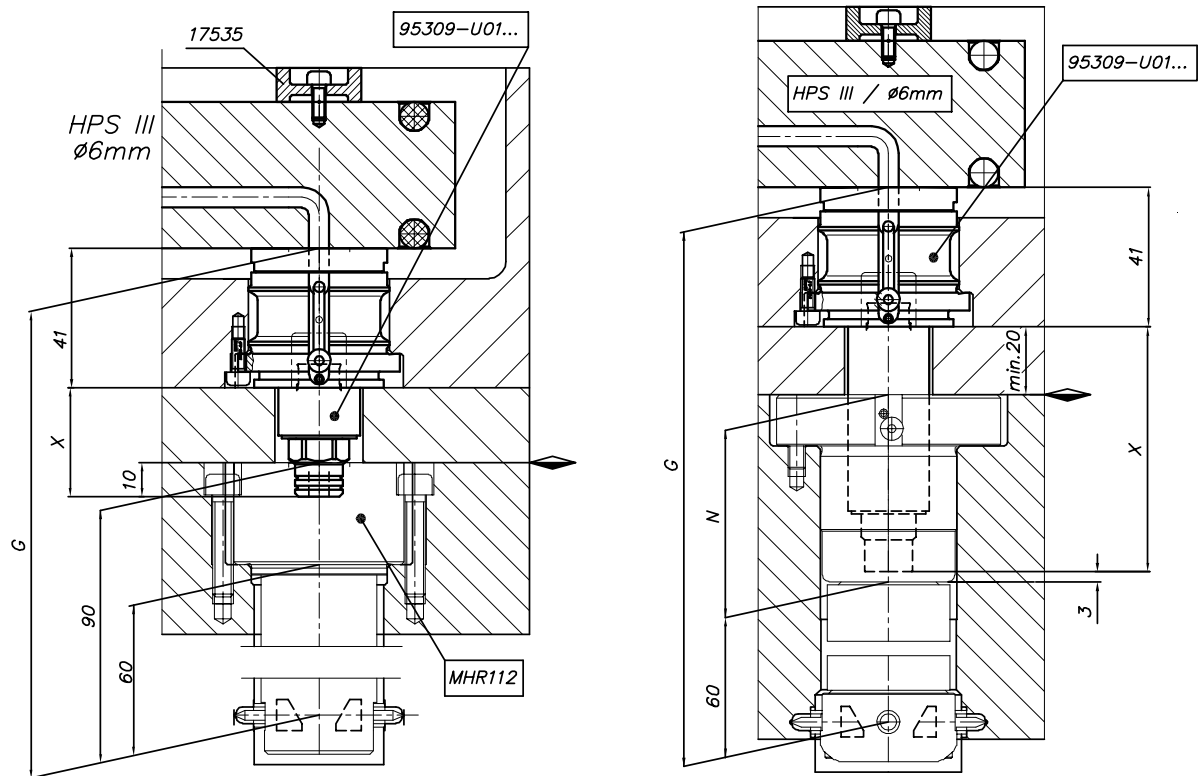
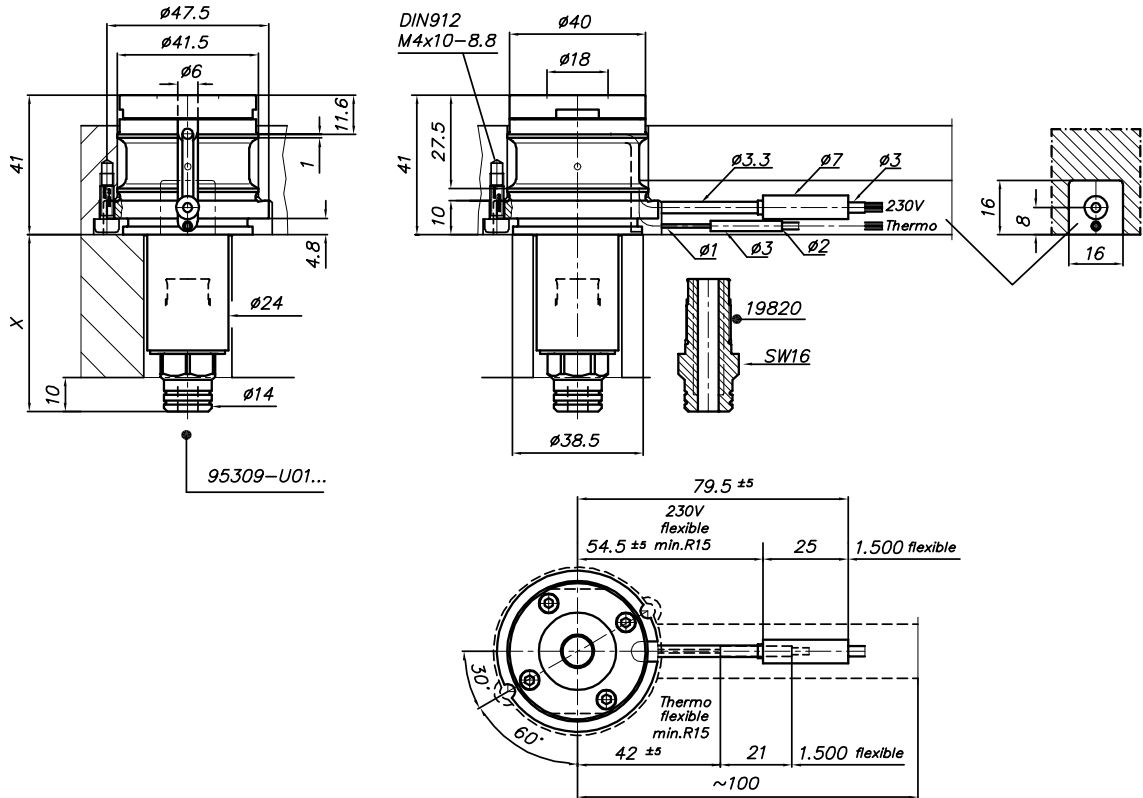
Dim. X	HPS III-MHR 111	HPS III-MHR 112
	Results in Dim. G	Results in Dim. G
52	-	173
72	176	193
92	196	213
112	216	233
132	236	253
152	-	273

## Ordering example:

**95309-U01.072**

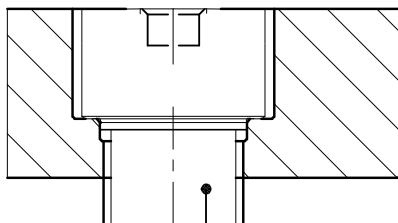
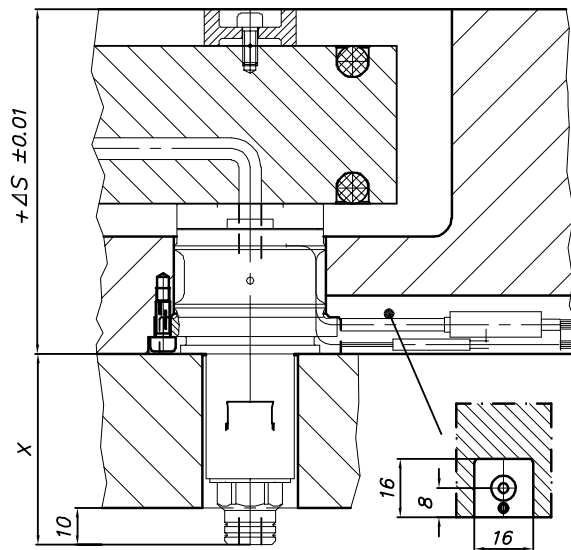
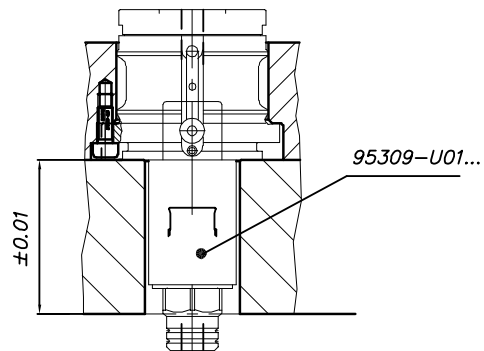
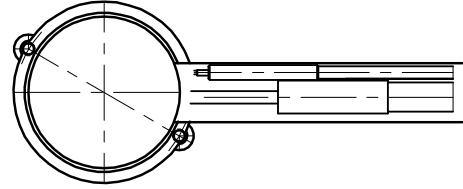
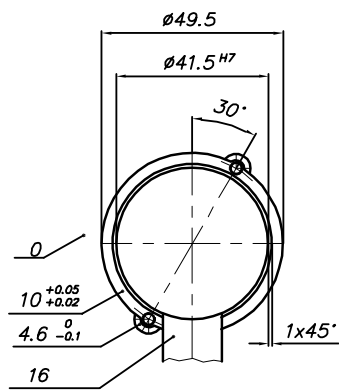
Type      Dim. X



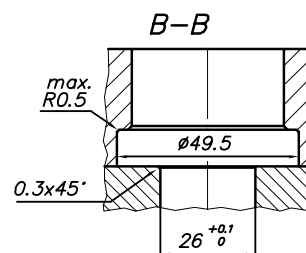
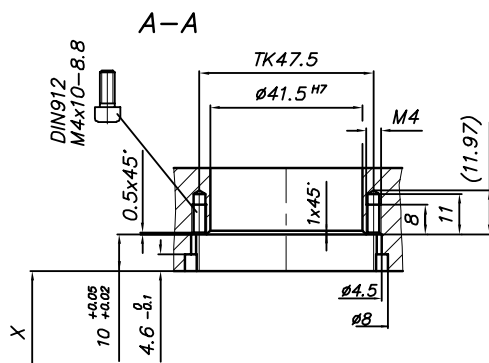
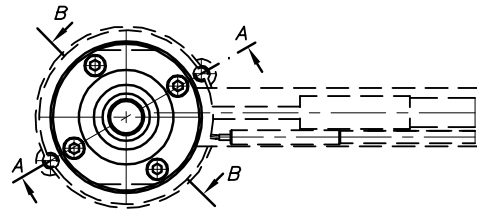


# Adapter nozzle 95309-U01...

## Installation



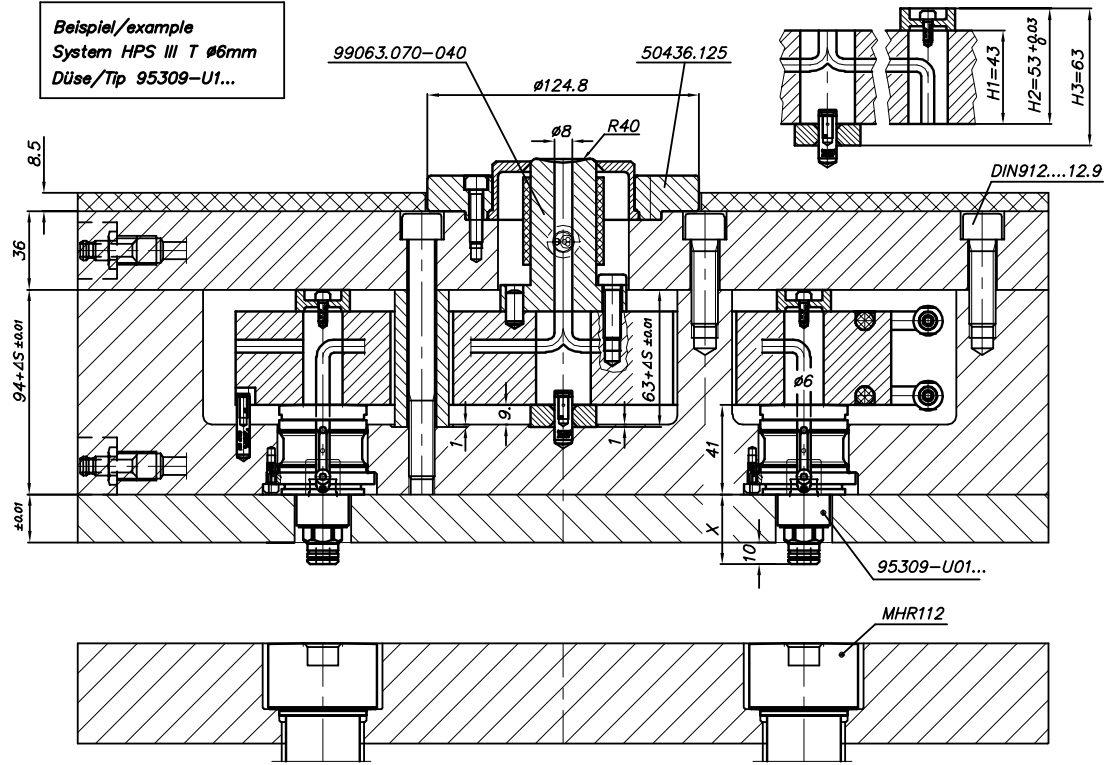
Beispiel  
example  
MHR112



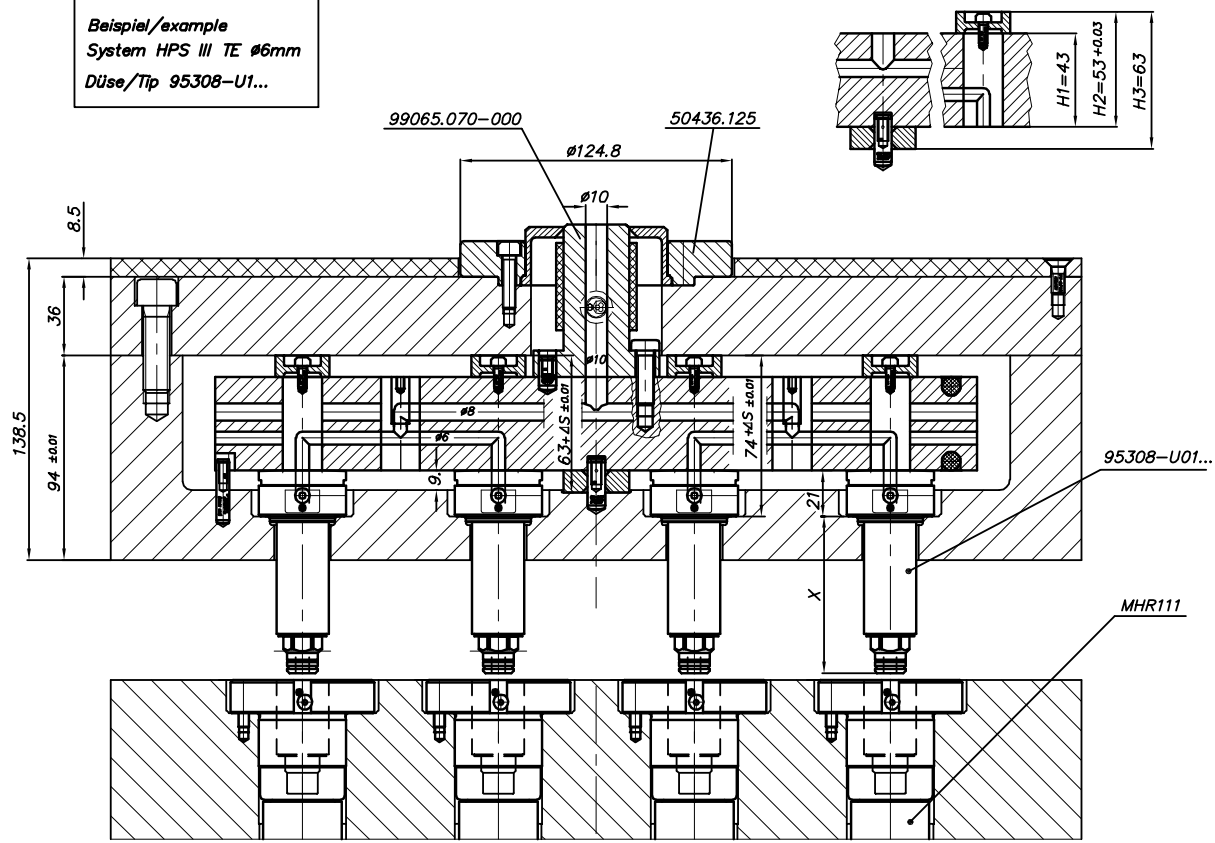
# Adapter nozzle 95308-U01... / 95309-U01...

Assembly examples

Beispiel/example  
System HPS III T  $\varnothing 6\text{mm}$   
Düse/Tip 95309-U1...



Beispiel/example  
System HPS III TE  $\varnothing 6\text{mm}$   
Düse/Tip 95308-U1...



**EWIKON**  
**Heißkanalsysteme GmbH**  
Siegener Straße 35  
35066 Frankenberg / Germany  
Tel: +49 6451 501-0  
E-Mail: [info@ewikon.com](mailto:info@ewikon.com)  
[www.ewikon.com](http://www.ewikon.com)

Your EWIKON partner: