

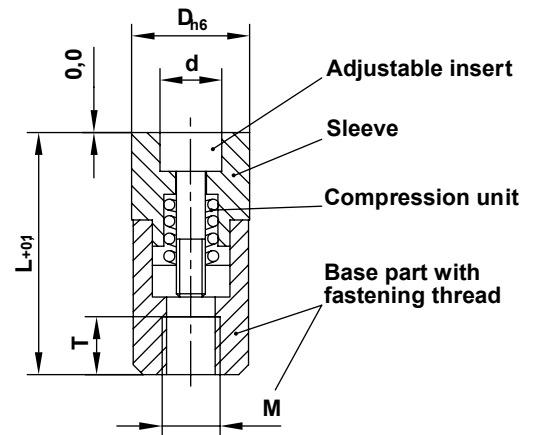
DATI 2000

Identification stamp with fast-change system Ø 3 – 16 mm without height adjustment

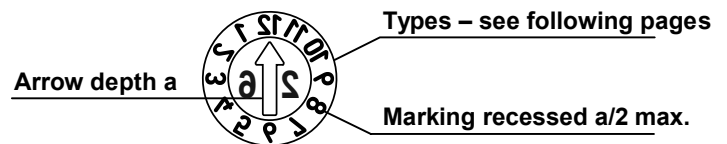
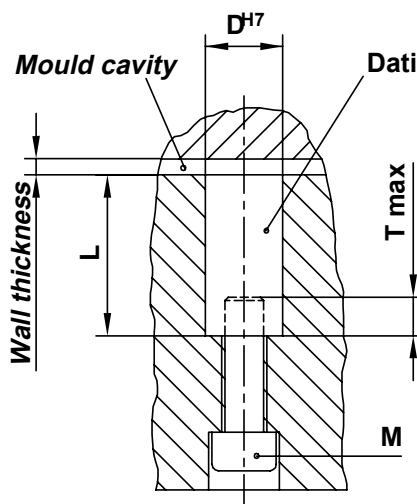
DATI®-DESCRIPTION



- Sleeve with identifier
- Adjustable insert with indicator arrow. The recessed indicator arrow is used as a screw slot for adjustment the and to change the insert
- Fastening thread
- Compression unit, for the infinite locking of the adjustable insert
- Material for sleeve and adjustable insert: 1.4034, hardened HRC 56 ± 2 stainless
- Inscription laterally reversed



Installation

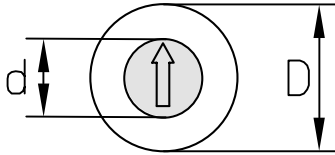


Dimension table in mm					
D	d	L	M	T	a
3	1,6	14	2	3	0,20
4	2,5	14	2	3	0,30
5	3,1	17	3	3	0,40
6	3,1	17	3	3	0,40
8	4,6	20	4	4	0,40
10	4,6	20	5	4	0,40
12	6,4	25	6	6	0,60
16	8,4	33	8	8	0,60

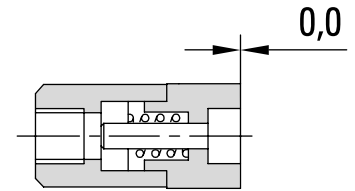
FAST CHANGING SYSTEM			At the end of each year, the adjustable insert with year is changed in a matter of seconds by removing and screwing it in. - Stop production, open mould - Change adjustable insert, set date - Continue production - Check setting on moulded part
<p>To screw in adjustable insert:</p> <ul style="list-style-type: none"> • Turn clockwise • Max. to end position • Tenses automatically • Tensioning range 3 – 5 turns 	<p>To turn adjustable insert:</p> <ul style="list-style-type: none"> • Turn clockwise or counter clockwise • Set desired position • Reclamp if necessary by turning clockwise 	<p>To change adjustable insert:</p> <ul style="list-style-type: none"> • Turn continuously counter clock-wise • The adjustable insert will raise • Remove adjustable insert 	

DATI 2000

Identification stamp with fast-change system Ø 3 – 16 mm
without height adjustment



Dimension table in mm									
D	3	4	5	6	8	10	12	16	mm
d	1,6	2,5	3,1	3,1	4,6	4,6	6,4	8,4	mm

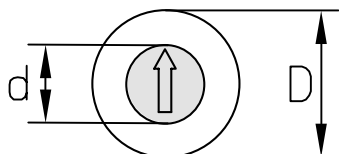


Type	A	B	C	CC
Indicator				
D	Order no.	Order no.	Order no.	Order no.
3	A/2003/Jahr(Year)	B/2003/00	C/2003/Jahr(Year)+5	CC/2003/Jahr(Year)+11
4	A/2004/Jahr(Year)	B/2004/00	C/2004/Jahr(Year)+5	CC/2004/Jahr(Year)+11
5	A/2005/Jahr(Year)	B/2005/00	C/2005/Jahr(Year)+5	CC/2005/Jahr(Year)+11
6	A/2006/Jahr(Year)	B/2006/00	C/2006/Jahr(Year)+5	CC/2006/Jahr(Year)+11
8	A/2008/Jahr(Year)	B/2008/00	C/2008/Jahr(Year)+5	CC/2008/Jahr(Year)+11
10	A/2010/Jahr(Year)	B/2010/00	C/2010/Jahr(Year)+5	CC/2010/Jahr(Year)+11
12	A/2012/Jahr(Year)	B/2012/00	C/2012/Jahr(Year)+5	CC/2012/Jahr(Year)+11
16	A/2016/Jahr(Year)	B/2016/00	C/2012/Jahr(Year)+5	CC/2016/Jahr(Year)+11

Type	D + E	H + I	L + E	J
Indicator				
D	Order no.	Order no.	Order no.	Order no.
3	D+E/2003/Jahr(Year)	H+I/2003/00	L+E/2003/Jahr(Year)	J/2003/00
4	D+E/2004/Jahr(Year)	H+I/2004/00	L+E/2004/Jahr(Year)	J/2004/00
5	D+E/2005/Jahr(Year)	H+I/2005/00	L+E/2005/Jahr(Year)	J/2005/00
6	D+E/2006/Jahr(Year)	H+I/2006/00	L+E/2006/Jahr(Year)	J/2006/00
8	D+E/2008/Jahr(Year)	H+I/2008/00	L+E/2008/Jahr(Year)	J/2008/00
10	D+E/2010/Jahr(Year)	H+I/2010/00	L+E/2010/Jahr(Year)	J/2010/00
12	D+E/2012/Jahr(Year)	H+I/2012/00	L+E/2012/Jahr(Year)	J/2012/00
16	D+E/2016/Jahr(Year)	H+I/2016/00	L+E/2016/Jahr(Year)	J/2016/00

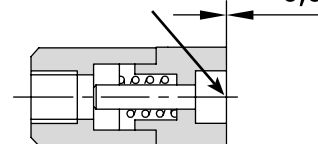
DATI 2000

Identification stamp with fast-change system $\varnothing 3 - 16$ mm
without height adjustment



Dimension table in mm									
D	3	4	5	6	8	10	12	16	mm
d	1,6	2,5	3,1	3,1	4,6	4,6	6,4	8,4	mm

Adjustable inserts page 43 0,0

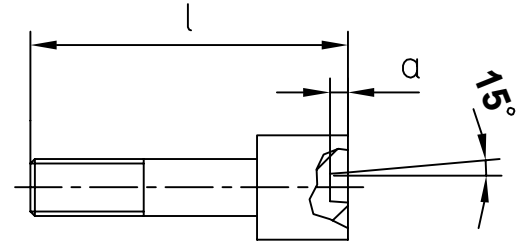
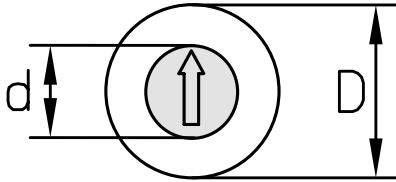


Type	K	M	N	R
Indicator				
D	Order no.	Order no.	Order no.	Order no.
3	K/2003/Jahr(Year)	M/2003/00	N/2003/00	R/2003/Zeichen(Symbol)
4	K/2004/Jahr(Year)	M/2004/00	N/2004/00	R/2004/Zeichen(Symbol)
5	K/2005/Jahr(Year)	M/2005/00	N/2005/00	R/2005/Zeichen(Symbol)
6	K/2006/Jahr(Year)	M/2006/00	N/2006/00	R/2006/Zeichen(Symbol)
8	K/2008/Jahr(Year)	M/2008/00	N/2008/00	R/2008/Zeichen(Symbol)
10	K/2010/Jahr(Year)	M/2010/00	N/2010/00	R/2010/Zeichen(Symbol)
12	K/2012/Jahr(Year)	M/2012/00	N/2012/00	R/2012/Zeichen(Symbol)
16	K/2016/Jahr(Year)	M/2016/00	N/2016/00	R/2016/Zeichen(Symbol)

Type	T	WT	Z
Indicator			
D	Order no.	Order no.	Order no.
3	T/2003/00	WT/2003/00	Z/2003/00
4	T/2004/00	WT/2004/00	Z/2004/00
5	T/2005/00	WT/2005/00	Z/2005/00
6	T/2006/00	WT/2006/00	Z/2006/00
8	T/2008/00	WT/2008/00	Z/2008/00
10	T/2010/00	WT/2010/00	Z/2010/00
12	T/2012/00	WT/2012/00	Z/2012/00
16	T/2016/00	WT/2016/00	Z/2016/00

DATI 2000

Adjustable inserts for DATI 2000 / 1000 / 1200 / 2100 / 2200



Dimension table in mm									
D	3	4	5	6	8	10	12	16	mm
d	1,6	2,5	3,1	3,1	4,6	4,6	6,4	8,4	mm
l	9	10,5	13	13	14	14	17	23	mm
a	0,20	0,30	0,40	0,40	0,40	0,40	0,60	0,60	mm

Material:
1.4034, hardened HRC 56 ± 2 stainless

Adjustable inserts for DATI 2000

Type	F	G	O
Indicator	Adjustable inserts with arrow + year	Adjustable inserts with arrow without year	Adjustable inserts according to customer preference with numbers and / or letters
D	Order no.	Order no.	Order no.
3	F/3/Jahr(Year)	G/3/00	O/3/Zeichen(Symbol)
4	F/4/Jahr(Year)	G/4/00	O/4/Zeichen(Symbol)
5	F/5/Jahr(Year)	G/5/00	O/5/Zeichen(Symbol)
6	F/6/Jahr(Year)	G/6/00	O/6/Zeichen(Symbol)
8	F/8/Jahr(Year)	G/8/00	O/8/Zeichen(Symbol)
10	F/10/Jahr(Year)	G/10/00	O/10/Zeichen(Symbol)
12	F/12/Jahr(Year)	G/12/00	O/12/Zeichen(Symbol)
16	F/16/Jahr(Year)	G/16/00	O/16/Zeichen(Symbol)

