

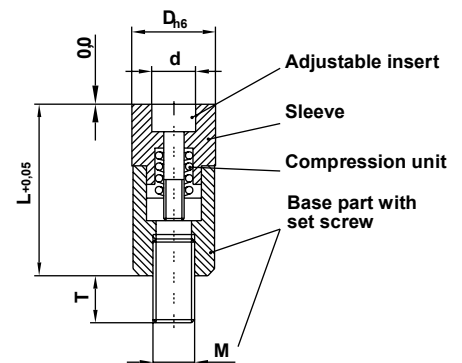
DATI 2200

Identification stamp with fast-change system $\varnothing 3 - 16$ mm
without height adjustment, mountable from the mould parting surface

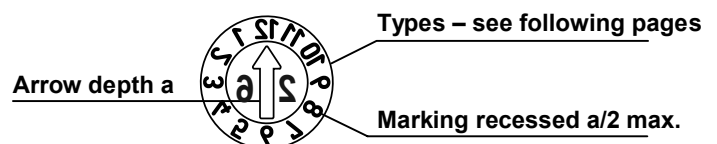
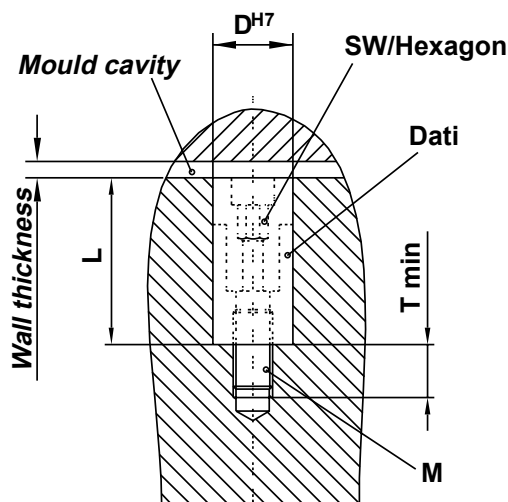
DATI®-DESCRIPTION



- Sleeve with identifier
- Adjustable insert with an indicator arrow.
The recessed indicator arrow is used as a screw slot for adjustment and to change the insert
- Fitting with setscrew.
Screw in DATI with Allen screw hexagon.
Remove adjustable insert for this
- Compression unit, for the infinite locking of the adjustable insert
- Material for sleeve and adjustable insert:
1.4034, hardened HRC 56 ± 2 stainless



Installation



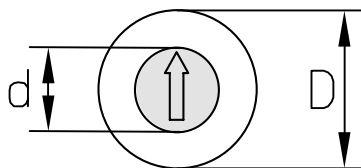
Dimension table in mm						
D	d	L	M	T	a	SW
3	1,6	14	2	4	0,20	1,2
4	2,5	14	2	4	0,30	1,5
5	3,1	17	3	4	0,40	2
6	3,1	17	3	4	0,40	2
8	4,6	20	4	4	0,40	3
10	4,6	20	5	4	0,40	3
12	6,4	25	6	6	0,60	4
16	8,4	33	8	8	0,60	4

FAST CHANGING SYSTEM

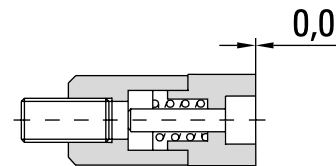
FAST CHANGING SYSTEM			At the end of each year, the adjustable insert with year is changed in a matter of seconds by removing and screwing it in. - Stop production, open mould - Change adjustable insert, set date - Continue production - Check setting on moulded part
To screw in adjustable insert: <ul style="list-style-type: none"> • Turn clockwise • Max. to end position • Tenses automatically • Tensioning range 3 – 5 turns 	To turn adjustable insert: <ul style="list-style-type: none"> • Turn clockwise or counter clockwise • Set desired position • Reclamp if necessary by turning clockwise 	To change adjustable insert: <ul style="list-style-type: none"> • Turn continuously counter clockwise • The adjustable insert will raise • Remove adjustable insert 	

DATI 2200

Identification stamp with fast-change system Ø 3 – 16 mm
without height adjustment, mountable from the mould parting surface



Dimension table in mm									
D	3	4	5	6	8	10	12	16	mm
d	1,6	2,5	3,1	3,1	4,6	4,6	6,4	8,4	mm

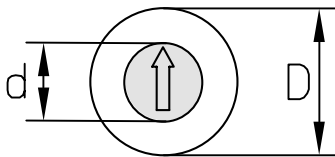


Type	A	B	C	CC
Indicator				
Indicator	Months + year (e.g. dec. 26)	Months (e.g. dec.) connected with type C (displays e.g. dec. 26)	Year + 5 years connected with type B (displays e.g. dec. 26)	Year + 11 years connected with type B (displays e.g. dec. 26)
D	Order no.	Order no.	Order no.	Order no.
3	A/2203/Jahr(Year)	B/2203/00	C/2203/Jahr(Year)+5	CC/2203/Jahr(Year)+11
4	A/2204/Jahr(Year)	B/2204/00	C/2204/Jahr(Year)+5	CC/2204/Jahr(Year)+11
5	A/2205/Jahr(Year)	B/2205/00	C/2205/Jahr(Year)+5	CC/2205/Jahr(Year)+11
6	A/2206/Jahr(Year)	B/2206/00	C/2206/Jahr(Year)+5	CC/2206/Jahr(Year)+11
8	A/2208/Jahr(Year)	B/2208/00	C/2208/Jahr(Year)+5	CC/2208/Jahr(Year)+11
10	A/2210/Jahr(Year)	B/2210/00	C/2210/Jahr(Year)+5	CC/2210/Jahr(Year)+11
12	A/2212/Jahr(Year)	B/2212/00	C/2212/Jahr(Year)+5	CC/2212/Jahr(Year)+11
16	A/2216/Jahr(Year)	B/2216/00	C/2216/Jahr(Year)+5	CC/2216/Jahr(Year)+11

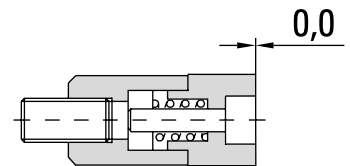
Type	D + E	H + I	L + E	J
Indicator				
Indicator	Week + year (e.g. the combination numbers 30 + 5: calendar week 35/26)	Days (e.g. 20 + 9 = 29) connected with type A (displays e.g. 29. dec. 26)	Days + month + year (e.g. 25. may 26)	Shift numbers (e.g. 2nd shift)
D	Order no.	Order no.	Order no.	Order no.
3	D+E/2203/Jahr(Year)	H+I/2203/00	L+E/2203/Jahr(Year)	J/2203/00
4	D+E/2204/Jahr(Year)	H+I/2204/00	L+E/2203/Jahr(Year)	J/2204/00
5	D+E/2205/Jahr(Year)	H+I/2205/00	L+E/2205/Jahr(Year)	J/2205/00
6	D+E/2206/Jahr(Year)	H+I/2206/00	L+E/2206/Jahr(Year)	J/2206/00
8	D+E/2208/Jahr(Year)	H+I/2208/00	L+E/2208/Jahr(Year)	J/2208/00
10	D+E/2210/Jahr(Year)	H+I/2210/00	L+E/2210/Jahr(Year)	J/2210/00
12	D+E/2212/Jahr(Year)	H+I/2212/00	L+E/2212/Jahr(Year)	J/2212/00
16	D+E/2216/Jahr(Year)	H+I/2216/00	L+E/2216/Jahr(Year)	J/2216/00

DATI 2200

Identification stamp with fast-change system $\varnothing 3 - 16$ mm
without height adjustment, mountable from the mould parting surface



Dimension table in mm									
D	3	4	5	6	8	10	12	16	mm
d	1,6	2,5	3,1	3,1	4,6	4,6	6,4	8,4	mm

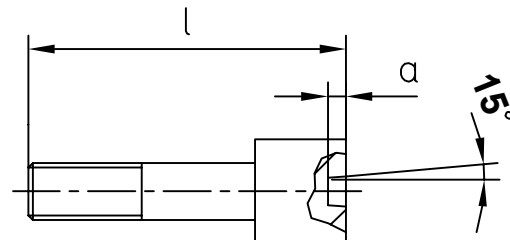
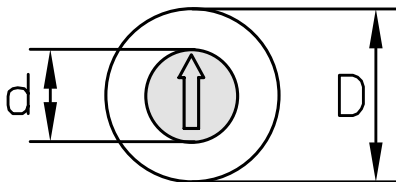


Type	K	M	N	R
Indicator				
D	Order no.	Order no.	Order no.	Order no.
3	K/2203/Jahr(Year)	M/2203/00	N/2203/00	R/2203/Zeichen(Symbol)
4	K/2204/Jahr(Year)	M/2204/00	N/2204/00	R/2204/Zeichen(Symbol)
5	K/2205/Jahr(Year)	M/2205/00	N/2205/00	R/2205/Zeichen(Symbol)
6	K/2206/Jahr(Year)	M/2206/00	N/2206/00	R/2206/Zeichen(Symbol)
8	K/2208/Jahr(Year)	M/2208/00	N/2208/00	R/2208/Zeichen(Symbol)
10	K/2210/Jahr(Year)	M/2210/00	N/2210/00	R/2210/Zeichen(Symbol)
12	K/2212/Jahr(Year)	M/2212/00	N/2212/00	R/2212/Zeichen(Symbol)
16	K/2216/Jahr(Year)	M/2216/00	N/2216/00	R/2216/Zeichen(Symbol)

Type	T	WT	Z
Indicator			
D	Order no.	Order no.	Order no.
3	T/2203/00	WT/2203/00	Z/2203/00
4	T/2204/00	WT/2204/00	Z/2204/00
5	T/2205/00	WT/2205/00	Z/2205/00
6	T/2206/00	WT/2206/00	Z/2206/00
8	T/2208/00	WT/2208/00	Z/2208/00
10	T/2210/00	WT/2210/00	Z/2210/00
12	T/2212/00	WT/2212/00	Z/2212/00
16	T/2216/00	WT/2216/00	Z/2216/00

DATI 2200

Adjustable inserts for DATI 2200 / 2000 / 2100 / 1000 / 1200



Dimension table in mm									
D	3	4	5	6	8	10	12	16	mm
d	1,6	2,5	3,1	3,1	4,6	4,6	6,4	8,4	mm
l	9	10,5	13	13	14	14	17	23	mm
a	0,20	0,30	0,40	0,40	0,40	0,40	0,60	0,60	mm

Material:
1.4034, hardened HRC 56 ± 2 stainless

Adjustable inserts for DATI 2200

Type	F	G	O
Indicator	Adjustable inserts with arrow + year	Adjustable inserts with arrow without year	Adjustable inserts according to customer preference with numbers and / or letters
D	Order no.	Order no.	Order no.
3	F/3/Jahr(Year)	G/3/00	O/3/Zeichen(Symbol)
4	F/4/Jahr(Year)	G/4/00	O/4/Zeichen(Symbol)
5	F/5/Jahr(Year)	G/5/00	O/5/Zeichen(Symbol)
6	F/6/Jahr(Year)	G/6/00	O/6/Zeichen(Symbol)
8	F/8/Jahr(Year)	G/8/00	O/8/Zeichen(Symbol)
10	F/10/Jahr(Year)	G/10/00	O/10/Zeichen(Symbol)
12	F/12/Jahr(Year)	G/12/00	O/12/Zeichen(Symbol)
16	F/16/Jahr(Year)	G/16/00	O/16/Zeichen(Symbol)

