

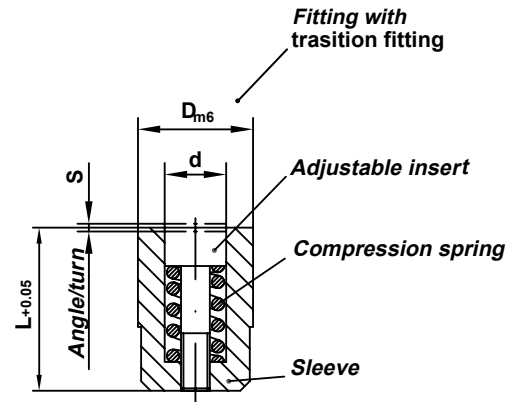
DATI 1300

Identification stamp with fast-change system $\varnothing 2,6 - 16$ mm with height adjustment, short version, for pressing in the mould

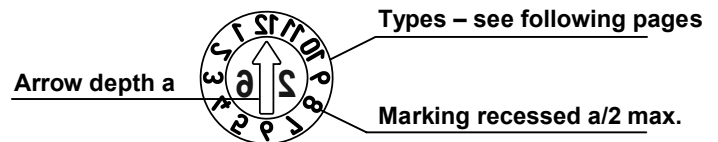
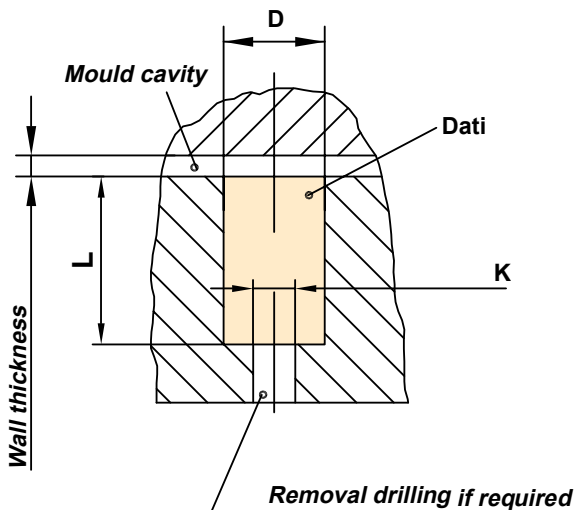
DATI®-DESCRIPTION



- Sleeve with identifier
- Adjustable insert with an indicator arrow. The recessed indicator arrow is used as a screw slot for the adjustment and to change the insert
- Compression spring for the infinite locking of the adjustable insert
- Material for sleeve and adjustable insert: 1.4034 - stainless, hardened HRC 56 ± 2
- Inscription laterally reversed
- No-screw fitting



Installation



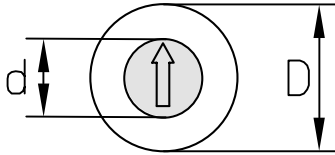
Dimension table in mm					
D	d	L	a	S	K
2,6	1,4	4	0,20	0,20	2,1
2,8	1,4	4	0,20	0,20	2,1
3	1,5	4	0,20	0,20	2,1
3,5	1,8	5	0,20	0,25	2,6
4	2,1	5	0,30	0,25	2,6
5	3,1	8	0,40	0,20	3,2
6	3,1	8	0,40	0,20	3,2
8	4,4	10	0,40	0,25	5,2
10	5,2	12	0,40	0,35	6,2
12	6,2	14	0,60	0,35	7,2
16	8,2	14	0,60	0,35	8,2

FAST CHANGING SYSTEM

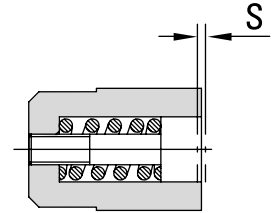
			<p>At the end of each year, the adjustable insert with year is changed in a matter of seconds by removing and screwing it in.</p> <ul style="list-style-type: none"> - Stop production, open mould - Change adjustable insert, set date - Continue production - Check setting on moulded part
<p>To screw in adjustable insert:</p> <ul style="list-style-type: none"> • Turn clockwise • Adjust height according to visual estimate 	<p>To turn adjustable insert:</p> <ul style="list-style-type: none"> • Turn clockwise or counter-clockwise • Check height adjustment 	<p>To change adjustable insert:</p> <ul style="list-style-type: none"> • Turn continuously counter-clockwise • The adjustable insert will raise • Remove adjustable insert 	

DATI 1300

Identification stamp with fast-change system Ø 2,6 – 16 mm with height adjustment, short version, for pressing in the mould



Dimension table in mm												
D	2,6	2,8	3	3,5	4	5	6	8	10	12	16	mm
d	1,4	1,4	1,5	1,8	2,1	3,1	3,1	4,4	5,2	6,2	2,8	mm



Type	A	B	C	CC
Indicator				
D	Order no.	Order no.	Order no.	Order no.
2,6	A/1302,6/Jahr(Year)	B/1302,6/00	C/1302,6/Jahr(Year)+5	CC/1302,6/Jahr(Year)+11
2,8	A/1302,8/Jahr(Year)	B/1302,8/00	C/1302,8/Jahr(Year)+5	CC/1302,8/Jahr(Year)+11
3	A/1303/Jahr(Year)	B/1303/00	C/1303/Jahr(Year)+5	CC/1303/Jahr(Year)+11
3,5	A/1303,5/Jahr(Year)	B/1303,5/00	C/1303,5/Jahr(Year)+5	CC/1303,5/Jahr(Year)+11
4	A/1304/Jahr(Year)	B/1304/00	C/1304/Jahr(Year)+5	CC/1304/Jahr(Year)+11
5	A/1305/Jahr(Year)	B/1305/00	C/1305/Jahr(Year)+5	CC/1305/Jahr(Year)+11
6	A/1306/Jahr(Year)	B/1306/00	C/1306/Jahr(Year)+5	CC/1306/Jahr(Year)+11
8	A/1308/Jahr(Year)	B/1308/00	C/1308/Jahr(Year)+5	CC/1308/Jahr(Year)+11
10	A/1310/Jahr(Year)	B/1310/00	C/1310/Jahr(Year)+5	CC/1310/Jahr(Year)+11
12	A/1312/Jahr(Year)	B/1312/00	C/1312/Jahr(Year)+5	CC/1312/Jahr(Year)+11
16	A/1316/Jahr(Year)	B/1316/00	C/1316/Jahr(Year)+5	CC/1316/Jahr(Year)+11

Type	D + E	H + I	L + E	J
Indicator				
D	Order no.	Order no.	Order no.	Order no.
2,6	D+E/1302,6/Jahr(Year)	H+I/1302,6/00	L+E/1302,6/Jahr(Year)	J/1302,6/00
2,8	D+E/1302,8/Jahr(Year)	H+I/1302,8/00	L+E/1302,8/Jahr(Year)	J/1302,8/00
3	D+E/1303/Jahr(Year)	H+I/1303/00	L+E/1303/Jahr(Year)	J/1303/00
3,5	D+E/1303,5/Jahr(Year)	H+I/1303,5/00	L+E/1303,5/Jahr(Year)	J/1303,5/00
4	D+E/1304/Jahr(Year)	H+I/1304/00	L+E/1304/Jahr(Year)	J/1304/00
5	D+E/1305/Jahr(Year)	H+I/1305/00	L+E/1305/Jahr(Year)	J/1305/00
6	D+E/1306/Jahr(Year)	H+I/1306/00	L+E/1306/Jahr(Year)	J/1306/00
8	D+E/1308/Jahr(Year)	H+I/1308/00	L+E/1308/Jahr(Year)	J/1308/00
10	D+E/1310/Jahr(Year)	H+I/1310/00	L+E/1310/Jahr(Year)	J/1310/00
12	D+E/1312/Jahr(Year)	H+I/1312/00	L+E/1312/Jahr(Year)	J/1312/00
16	D+E/1316/Jahr(Year)	H+I/1316/00	L+E/1316/Jahr(Year)	J/1316/00

DATI 1300

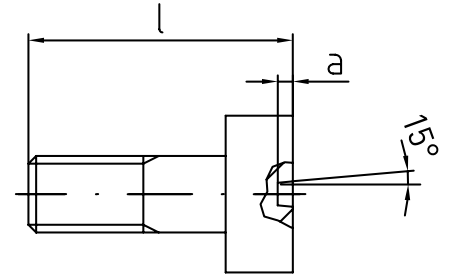
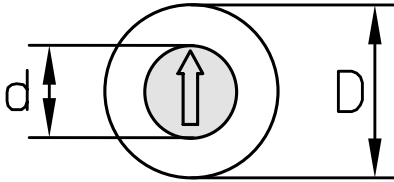
Identification stamp with fast-change system Ø 2,6 – 16 mm with height adjustment, short version, for pressing in the mould

Type	K	M	N	R
Indicator				
D	Order no.	Order no.	Order no.	Order no.
2,6	K/1302,6/Jahr(Year)	M/1302,6/00	N/1302,6/00	R/1302,6/Zeichen(Symbol)
2,8	K/1302,8/Jahr(Year)	M/1302,8/00	N/1302,8/00	R/1302,8/Zeichen(Symbol)
3	K/1303/Jahr(Year)	M/1303/00	N/1303/00	R/1303/Zeichen(Symbol)
3,5	K/1303,5/Jahr(Year)	M/1303,5/00	N/1303,5/00	R/1303,5/Zeichen(Symbol)
4	K/1304/Jahr(Year)	M/1304/00	N/1304/00	R/1304/Zeichen(Symbol)
5	K/1305/Jahr(Year)	M/1305/00	N/1305/00	R/1305/Zeichen(Symbol)
6	K/1306/Jahr(Year)	M/1306/00	N/1306/00	R/1306/Zeichen(Symbol)
8	K/1308/Jahr(Year)	M/1308/00	N/1308/00	R/1308/Zeichen(Symbol)
10	K/1310/Jahr(Year)	M/1310/00	N/1310/00	R/1310/Zeichen(Symbol)
12	K/1312/Jahr(Year)	M/1312/00	N/1312/00	R/1312/Zeichen(Symbol)
16	K/1316/Jahr(Year)	M/1316/00	N/1316/00	R/1316/Zeichen(Symbol)

Type	T	WT	Z
Indicator			
D	Order no.	Order no.	Order no.
2,6	-	WT/1302,6/00	Z/1302,6/00
2,8	-	WT/1302,8/00	Z/1302,8/00
3	-	WT/1303/00	Z/1303/00
3,5	T/1303,5/00	WT/1303,5/00	Z/1303,5/00
4	T/1304/00	WT/1304/00	Z/1304/00
5	T/1305/00	WT/1305/00	Z/1305/00
6	T/1306/00	WT/1306/00	Z/1306/00
8	T/1308/00	WT/1308/00	Z/1308/00
10	T/1310/00	WT/1310/00	Z/1310/00
12	T/1312/00	WT/1312/00	Z/1312/00
16	T/1316/00	WT/1316/00	Z/1316/00

DATI 1300

Adjustable inserts for DATI 1300 / 1400 / 1800



Dimension table in mm												
D	2,6	2,8	3	3,5	4	5	6	8	10	12	16	mm
d	1,4	1,4	1,5	1,8	2,1	3,1	3,1	4,4	5,2	6,2	8,2	mm
l	3,9	3,9	3,9	4,8	4,8	7,8	7,8	9,8	11,8	13,8	13,8	mm
a	0,2	0,2	0,2	0,2	0,3	0,4	0,4	0,4	0,4	0,6	0,6	mm

Material:
1.4034, hardened HRC 56 ± 2 stainless

Adjustable inserts for DATI 1300

Type	F	G	O
Indicator	Adjustable inserts with arrow + year	Adjustable inserts with arrow without year	Adjustable inserts according to customer preference with numbers and / or letters
D	Order no.	Order no.	Order no.
2,6	F/1302,6/Jahr(Year)	G/1302,6/00	O/1302,6/Zeichen(Symbol)
2,8	F/1302,8/Jahr(Year)	G/1302,8/00	O/1302,8/Zeichen(Symbol)
3	F/1303/Jahr(Year)	G/1303/00	O/1303/Zeichen(Symbol)
3,5	F/1303,5/Jahr(Year)	G/1303,5/00	O/1303,5/Zeichen(Symbol)
4	F/1304/Jahr(Year)	G/1304/00	O/1304/Zeichen(Symbol)
5	F/1305/Jahr(Year)	G/1305/00	O/1305/Zeichen(Symbol)
6	F/1306/Jahr(Year)	G/1306/00	O/1306/Zeichen(Symbol)
8	F/1308/Jahr(Year)	G/1308/00	O/1308/Zeichen(Symbol)
10	F/1310/Jahr(Year)	G/1310/00	O/1310/Zeichen(Symbol)
12	F/1312/Jahr(Year)	G/1312/00	O/1312/Zeichen(Symbol)
16	F/1316/Jahr(Year)	G/1316/00	O/1316/Zeichen(Symbol)

