

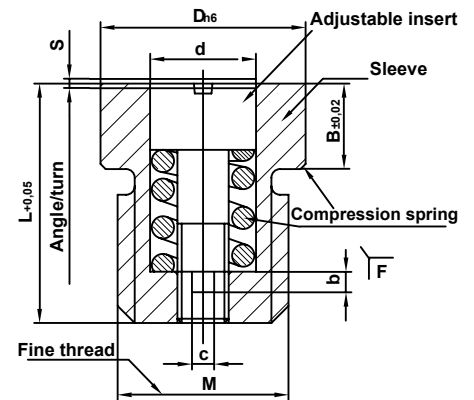
DATI 1800

Identification stamp with fast-change system $\varnothing 3 - 16$ mm with height adjustment, short version, with direct fastening thread on the outer sleeve

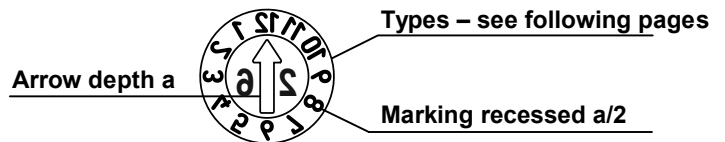
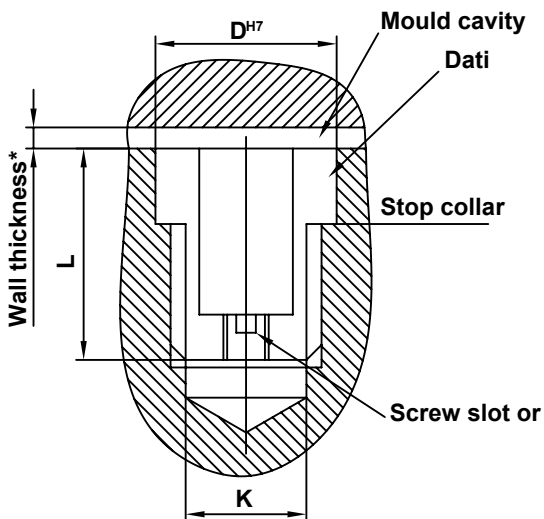
DATI®-DESCRIPTION



- Sleeve with identifier
- Adjustable insert with indicator arrow
- The recessed indicator arrow is used as a screw slot for the adjustment and to change the insert
- Compression spring for the infinite locking of the adjustable insert
- Material for sleeve and adjustable insert: 1.4034, hardened HRC 56 ± 2 stainless
- Inscription laterally reversed
- The fitting is done using the random threading of the sleeve



Installation



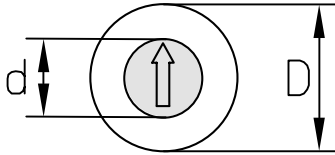
Dimension table in mm					
D	d	L	B	M	K
3	1,5	4	1,8	2,5 x 0,35	2,2
3,5	1,5	5	2	3 x 0,35	2,7
4	2,1	5	2	3,5 x 0,35	3,2
5	3,1	8	2	4,5 x 0,5	4,1
6	3,1	8	2	5 x 0,5	4,6
8	4,4	10	3	6 x 0,5	5,6
10	5,2	12	3	8 x 0,75	7,4
12	6,2	14	4	10 x 0,75	9,4
16	8,2	14	5	12 x 1,0	11,0

FAST CHANGING SYSTEM		
<p>To screw in adjustable insert:</p> <ul style="list-style-type: none"> • Turn clockwise • Adjust height according to visual estimate 	<p>To turn adjustable insert:</p> <ul style="list-style-type: none"> • Turn clockwise or counter-clockwise • Check height adjustment 	<p>To change adjustable insert:</p> <ul style="list-style-type: none"> • Turn continuously counter-clockwise • The adjustable insert will raise • Remove adjustable insert

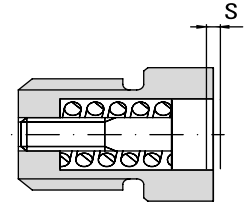
Dimension table in mm					
D	F	a	S	b	c
3	0,1	0,2	0,2	0,4	0,3
3,5	0,1	0,2	0,25	0,5	0,4
4	0,1	0,3	0,25	0,5	0,4
5	0,1	0,4	0,2	0,5	0,6
6	0,1	0,4	0,2	0,5	0,6
8	0,15	0,4	0,25	0,7	0,8
10	0,2	0,4	0,35	0,7	1,0
12	0,3	0,6	0,35	1,0	1,2
16	0,3	0,6	0,35	1,0	1,2

DATI 1800

Identification stamp with fast-change system Ø 3 – 16 mm with height adjustment, short version, with direct fastening thread on the outer sleeve



Dimension table in mm										
D	3	3,5	4	5	6	8	10	12	16	mm
d	1,5	1,8	2,1	3,1	3,1	4,4	5,2	6,2	8,2	mm

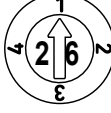




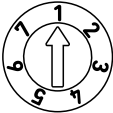

Type	A	B	C	CC
Indicator	Months + year (e.g. dec. 26)	Months (e.g. dec.) connected with type C (displays e.g. dec. 26)	Year + 5 years connected with type B (displays e.g. dec. 26)	Year + 11 years connected with type B (displays e.g. dec. 26)
D	Order no.	Order no.	Order no.	Order no.
3	A/1803/Jahr(Year)	B/1803/00	C/1803/Jahr(Year)+5	CC/1803/Jahr(Year)+11
3,5	A/1803,5/Jahr(Year)	B/1803,5/00	C/1803,5/Jahr(Year)+5	CC/1803,5/Jahr(Year)+11
4	A/1804/Jahr(Year)	B/1804/00	C/1804/Jahr(Year)+5	CC/1804/Jahr(Year)+11
5	A/1805/Jahr(Year)	B/1805/00	C/1805/Jahr(Year)+5	CC/1805/Jahr(Year)+11
6	A/1806/Jahr(Year)	B/1806/00	C/1806/Jahr(Year)+5	CC/1806/Jahr(Year)+11
8	A/1808/Jahr(Year)	B/1808/00	C/1808/Jahr(Year)+5	CC/1808/Jahr(Year)+11
10	A/1810/Jahr(Year)	B/1810/00	C/1810/Jahr(Year)+5	CC/1810/Jahr(Year)+11
12	A/1812/Jahr(Year)	B/1812/00	C/1812/Jahr(Year)+5	CC/1812/Jahr(Year)+11
16	A/1816/Jahr(Year)	B/1816/00	C/1816/Jahr(Year)+5	CC/1816/Jahr(Year)+11

Type	D + E	H + I	L + E	J
Indicator	Week + year (e.g. add up to combination of numbers 30 and 5 results in 30 + 5: calendar week 35/22)	Days (e.g. 20 + 9 = 29) connected with type A (displays e.g. 29. dec. 22)	Days + month + year (e.g. 25. may 22)	Shift numbers (e.g. 2nd shift)
D	Order no.	Order no.	Order no.	Order no.
3	D+E/1803/Jahr(Year)	H+I/1803/00	L+E/1803/Jahr(Year)	J/1803/00
3,5	D+E/1803,5/Jahr(Year)	H+I/1803,5/00	L+E/1803,5/Jahr(Year)	J/1803,5/00
4	D+E/1804/Jahr(Year)	H+I/1804/00	L+E/1804/Jahr(Year)	J/1804/00
5	D+E/1805/Jahr(Year)	H+I/1805/00	L+E/1805/Jahr(Year)	J/1805/00
6	D+E/1806/Jahr(Year)	H+I/1806/00	L+E/1806/Jahr(Year)	J/1806/00
8	D+E/1808/Jahr(Year)	H+I/1808/00	L+E/1808/Jahr(Year)	J/1808/00
10	D+E/1810/Jahr(Year)	H+I/1810/00	L+E/1810/Jahr(Year)	J/1810/00
12	D+E/1812/Jahr(Year)	H+I/1812/00	L+E/1812/Jahr(Year)	J/1812/00
16	D+E/1816/Jahr(Year)	H+I/1816/00	L+E/1816/Jahr(Year)	J/1816/00

DATI 1800

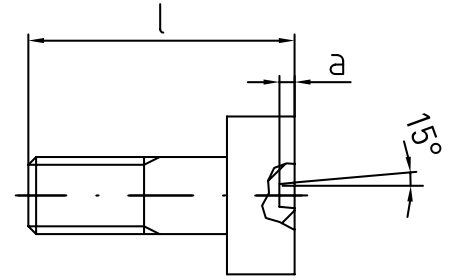
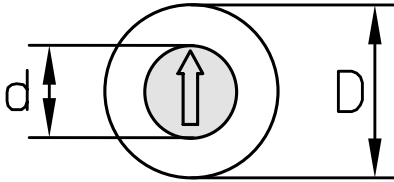
Identification stamp with fast-change system Ø 3 – 16 mm with height adjustment, short version, with direct fastening thread on the outer sleeve

Type	K	M	N	R
Indicator				
Indicator	Quarter + year (e.g. 1st quarter 26)	Identifier letters A – M (type M)	Identifier letters N – Z (type N)	Identification according to customers preference e.g. material identification
D	Order no.	Order no.	Order no.	Order no.
3	K/1803/Jahr(Year)	M/1803/00	N/1803/00	R/1803/Zeichen(Symbol)
3,5	K/1803,5/Jahr(Year)	M/1803,5/00	N/1803,5/00	R/1803,5/Zeichen(Symbol)
4	K/1804/Jahr(Year)	M/1804/00	N/1804/00	R/1804/Zeichen(Symbol)
5	K/1805/Jahr(Year)	M/1805/00	N/1805/00	R/1805/Zeichen(Symbol)
6	K/1806/Jahr(Year)	M/1806/00	N/1806/00	R/1806/Zeichen(Symbol)
8	K/1808/Jahr(Year)	M/1808/00	N/1808/00	R/1808/Zeichen(Symbol)
10	K/1810/Jahr(Year)	M/1810/00	N/1810/00	R/1810/Zeichen(Symbol)
12	K/1812/Jahr(Year)	M/1812/00	N/1812/00	R/1812/Zeichen(Symbol)
16	K/1816/Jahr(Year)	M/1816/00	N/1816/00	R/1816/Zeichen(Symbol)

Type	T	WT	Z
Indicator			
Indicator	Days 1 – 31	Weekdays 1 – 7	without markings
D	Order no.	Order no.	Order no.
3	T/1803/00	WT/1803/00	Z/1803/00
3,5	T/1803,5/00	WT/1803,5/00	Z/1803,5/00
4	T/1804/00	WT/1804/00	Z/1804/00
5	T/1805/00	WT/1805/00	Z/1805/00
6	T/1806/00	WT/1806/00	Z/1806/00
8	T/1808/00	WT/1808/00	Z/1808/00
10	T/1810/00	WT/1810/00	Z/1810/00
12	T/1812/00	WT/1812/00	Z/1812/00
16	T/1816/00	WT/1816/00	Z/1816/00

DATI 1800

Adjustable inserts for DATI 1800 / 1300 / 1400



Dimension table in mm										
D	3	3,5	4	5	6	8	10	12	16	mm
d	1,5	1,8	2,1	3,1	3,1	4,4	5,2	6,2	8,2	mm
l	3,9	4,8	4,8	7,8	7,8	9,8	11,8	13,8	13,8	mm
a	0,2	0,2	0,3	0,4	0,4	0,4	0,4	0,6	0,6	mm

Material:
1.4034, hardened HRC 56 ± 2 stainless

Adjustable inserts for DATI 1800

Type	F	G	O
Indicator	Adjustable inserts with arrow + year	Adjustable inserts with arrow without year	Adjustable inserts according to customer preference with numbers and / or letters
D	Order no.	Order no.	Order no.
3	F/1803/Jahr(Year)	G/1803/00	O/1803/Zeichen(Symbol)
3,5	F/1803,5/Jahr(Year)	G/1803,5/00	O/1803,5/Zeichen(Symbol)
4	F/1804/Jahr(Year)	G/1804/00	O/1804/Zeichen(Symbol)
5	F/1805/Jahr(Year)	G/1805/00	O/1805/Zeichen(Symbol)
6	F/1806/Jahr(Year)	G/1806/00	O/1806/Zeichen(Symbol)
8	F/1808/Jahr(Year)	G/1808/00	O/1808/Zeichen(Symbol)
10	F/1810/Jahr(Year)	G/1810/00	O/1810/Zeichen(Symbol)
12	F/1812/Jahr(Year)	G/1812/00	O/1812/Zeichen(Symbol)
16	F/1816/Jahr(Year)	G/1816/00	O/1816/Zeichen(Symbol)