

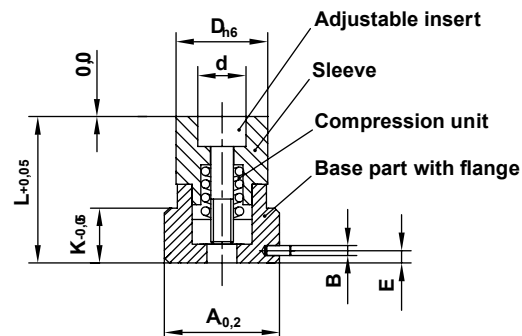
DATI 2100

Identification stamp with fast-change system
 Ø 6, 8, 12, 16 mm without height adjustment, with flush fixing

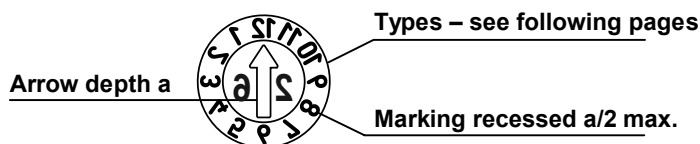
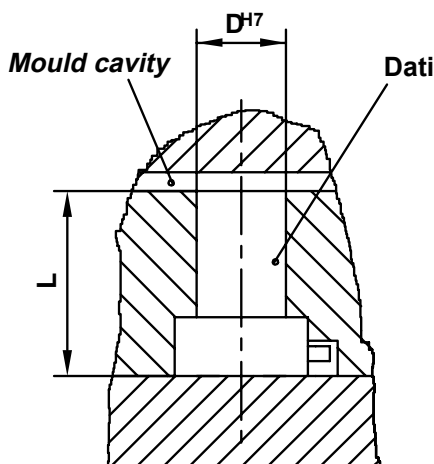


DATI®-DESCRIPTION

- Sleeve with identifier
- Adjustable insert with an indicator arrow.
- The recessed indicator arrow is used as a screw slot for adjustment the and to change the insert
- Compression unit, for the infinite locking of the adjustable insert
- Material for sleeve and adjustable insert: 1.4034, hardened HRC 56 ± 2 stainless
- Inscription laterally reversed



Installation



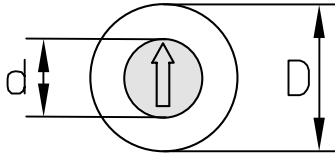
Dimension table in mm							
D	d	A	L	K	E	B	a
6	3,1	10	14	5	1,5	1,5	0,4
8	4,6	12	17	6	1,5	1,5	0,4
12	6,4	20	22	10	2,5	2	0,6
16	8,4	23	27	11	2,5	2	0,6

FAST CHANGING SYSTEM

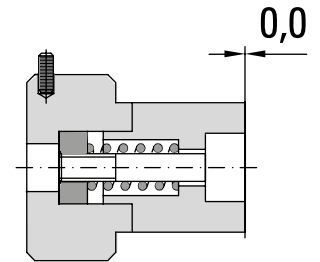
FAST CHANGING SYSTEM			At the end of each year, the adjustable insert with year is changed in a matter of seconds by removing and screwing it in. - Stop production, open mould - Change adjustable insert, set date - Continue production - Check setting on moulded part
To screw in adjustable insert: <ul style="list-style-type: none"> • Turn clockwise • Max. to end position • Tenses automatically • Tensioning range 3 – 5 turns 	To turn adjustable insert: <ul style="list-style-type: none"> • Turn clockwise or counter clockwise • Set desired position • Reclamp if necessary by turning clockwise 	To change adjustable insert: <ul style="list-style-type: none"> • Turn continuously counter clockwise • The adjustable insert will raise • Remove adjustable insert 	

DATI 2100

Identification stamp with fast-change system
 Ø 6, 8, 12, 16 mm without height adjustment, with flush fixing



Dimension table in mm					
D	6	8	12	16	mm
d	3,1	4,6	6,4	8,4	mm

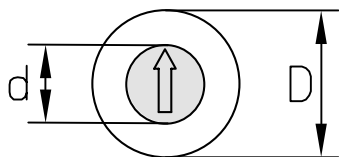


Type	A	B	C	CC
Indicator				
D	Order no.	Order no.	Order no.	Order no.
6	A/2106/Jahr(Year)	B/2106/00	C/2106/Jahr(Year)+5	CC/2106/Jahr(Year)+11
8	A/2108/Jahr(Year)	B/2108/00	C/2108/Jahr(Year)+5	CC/2108/Jahr(Year)+11
12	A/2112/Jahr(Year)	B/2112/00	C/2112/Jahr(Year)+5	CC/2112/Jahr(Year)+11
16	A/2116/Jahr(Year)	B/2116/00	C/2116/Jahr(Year)+5	CC/2116/Jahr(Year)+11

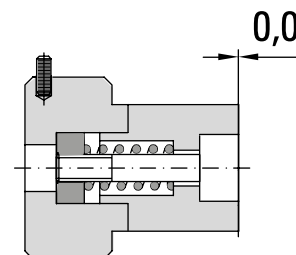
Type	D + E	H + I	L + E	J
Indicator				
D	Order no.	Order no.	Order no.	Order no.
6	D+E/2106/Jahr(Year)	H+I/2106/00	L+E/2106/Jahr(Year)	J/2106/00
8	D+E/2108/Jahr(Year)	H+I/2108/00	L+E/2108/Jahr(Year)	J/2106/00
12	D+E/2112/Jahr(Year)	H+I/2112/00	L+E/2112/Jahr(Year)	J/2112/00
16	D+E/2116/Jahr(Year)	H+I/2116/00	L+E/2116/Jahr(Year)	J/2116/00

DATI 2100

Identification stamp with fast-change system
 Ø 6, 8, 12, 16 mm without height adjustment, with flush fixing



Dimension table in mm					
D	6	8	12	16	mm
d	3,1	4,6	6,4	8,4	mm

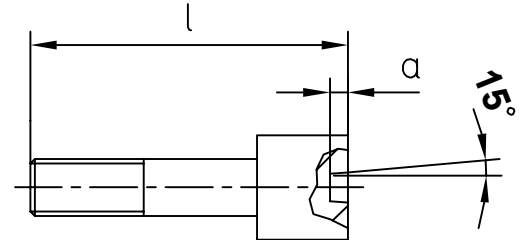
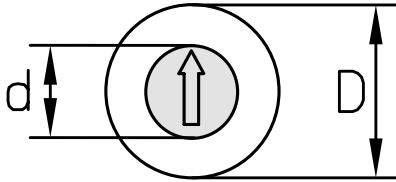


Type	K	M	N	R
Indicator				
D	Order no.	Order no.	Order no.	Order no.
6	K/2106/Jahr(Year)	M/2106/00	N/2106/00	R/2106/Zeichen(Symbol)
8	K/2108/Jahr(Year)	M/2108/00	N/2108/00	R/2108/Zeichen(Symbol)
12	K/2112/Jahr(Year)	M/2112/00	N/2112/00	R/2112/Zeichen(Symbol)
16	K/2116/Jahr(Year)	M/2116/00	N/2116/00	R/2116/Zeichen(Symbol)

Type	T	WT	Z
Indicator			
D	Order no.	Order no.	Order no.
6	T/2106/00	WT/2106/00	Z/2106/00
8	T/2108/00	WT/2108/00	Z/2108/00
12	T/2112/00	WT/2112/00	Z/2112/00
16	T/2116/00	WT/2116/00	Z/2116/00

DATI 2100

Adjustable inserts for DATI 2100 / 1000 / 1200 / 2000 / 2200



Dimension table in mm					
D	6	8	12	16	mm
d	3,1	4,6	6,4	8,4	mm
L	13	14	17	23	mm
a	0,40	0,40	0,60	0,60	mm

Material:
1.4034, hardened HRC 56 ± 2 stainless

Adjustable inserts for DATI 2100

Type	F	G	O
Indicator	Adjustable inserts with arrow + year	Adjustable inserts with arrow without year	Adjustable inserts according to customer preference with numbers and / or letters
D	Order no.	Order no.	Order no.
6	F/6/Jahr(Year)	G/6/00	O/6/Zeichen(Symbol)
8	F/8/Jahr(Year)	G/8/00	O/8/Zeichen(Symbol)
12	F/12/Jahr(Year)	G/12/00	O/12/Zeichen(Symbol)
16	F/16/Jahr(Year)	G/16/00	O/16/Zeichen(Symbol)

