

DATI 21900

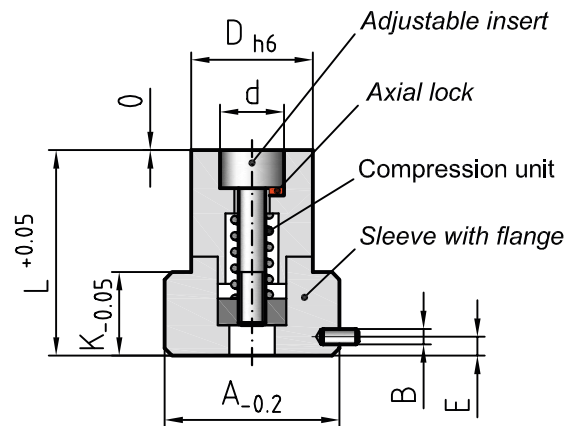
Identification stamp with fast-change system

Ø 6, 8, 12, 16 mm without height adjustment, with latching function, with flush fixing

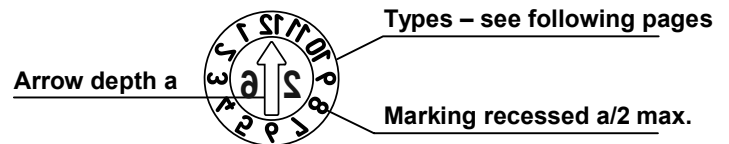
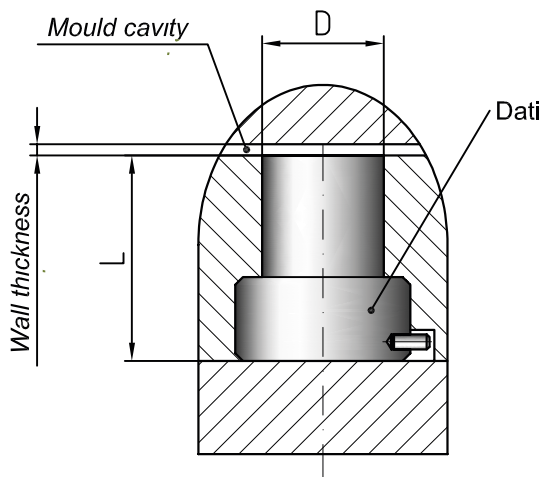
DATI®-DESCRIPTION



- Sleeve with identifier
- Adjustable insert with an indicator arrow
- The recessed indicator arrow is used as a screw slot for adjustment and to change the insert
- Fastening thread
- Compression unit for the infinite locking of the adjustable insert individual
- Material for sleeve and adjustable insert: 1.4034, hardened HRC 56 ± 2 stainless
- Inscription: lateral/y reversed



Installation



Dimension table in mm							
D	d	A	L	K	E	B	a
6	3,1	10	14	5	1,5	1,5	0,4
8	4,6	12	17	6	1,5	1,5	0,4
12	6,4	20	22	10	2,5	2,0	0,6
16	8,4	23	27	11	2,5	2,0	0,6

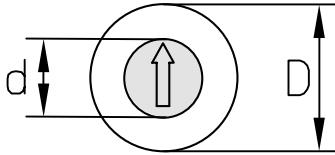
FAST CHANGING SYSTEM

			<p>At the end of each year, the adjustable insert with year is changed in a matter of seconds by removing and screwing it in.</p> <ul style="list-style-type: none"> - Stop production, open mould - Change insert, set date - Continue production - Check setting on moulded part
<p>To screw in adjustable insert:</p> <ul style="list-style-type: none"> • Turn clockwise • Max. to end position • Tenses automatically • Tensioning range 3 – 5 turns 	<p>To turn adjustable insert:</p> <ul style="list-style-type: none"> • Turn clockwise or counter clockwise • Set desired position • Reclamp if necessary by turning clockwise 	<p>To change adjustable insert:</p> <ul style="list-style-type: none"> • Turn continuously counter clockwise • The adjustable insert will raise • Remove adjustable insert 	

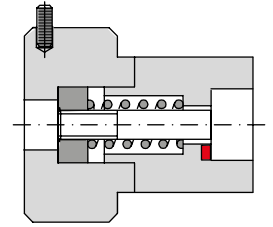
DATI 21900

Identification stamp with fast-change system

Ø 6, 8, 12, 16 mm without height adjustment, with latching function, with flush fixing



Dimension table in mm				
D	6	8	12	16
d	3,1	4,6	6,4	8,4
L	14	14	22	27



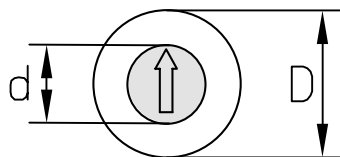
Type	A	B	C	CC
Indicator				
Indicator	Months + year (e.g. dec. 26)	Months (e.g. dec.) connected with type C (displays e.g. dec. 26)	Year + 5 years connected with type B (displays e.g. dec. 26)	Year + 11 years connected with type B (displays e.g. dec. 26)
D	Order no.	Order no.	Order no.	Order no.
6	A/21906/Jahr(Year)	B/21906/00	C/21906/Jahr(Year)+5	CC/21906/Jahr(Year)+11
8	A/21908/Jahr(Year)	B/21908/00	C/21908/Jahr(Year)+5	CC/21908/Jahr(Year)+11
12	A/21912/Jahr(Year)	B/21912/00	C/21912/Jahr(Year)+5	CC/21912/Jahr(Year)+11
16	A/21916/Jahr(Year)	B/21916/00	C/21916/Jahr(Year)+5	CC/21916/Jahr(Year)+11

Type	D + E	H + I	L + E	J
Indicator				
Indicator	Week + year (e.g. the combination numbers 30 + 0: calendar week 30/26)	Days (e.g. 20 + 0 = 20) connected with type A (displays e.g. 20. dec. 26)	Days + month + year (e.g. 20. may 26)	Shift numbers (e.g. 2nd shift)
D	Order no.	Order no.	Order no.	Order no.
6	D+E/21906/Jahr(Year)	H+I/21906/00	L+E/21906/Jahr(Year)	J/21906/00
8	D+E/21908/Jahr(Year)	H+I/21908/00	L+E/21908/Jahr(Year)	J/21908/00
12	D+E/21912/Jahr(Year)	H+I/21912/00	L+E/21912/Jahr(Year)	J/21912/00
16	D+E/21916/Jahr(Year)	H+I/21916/00	L+E/21916/Jahr(Year)	J/21916/00

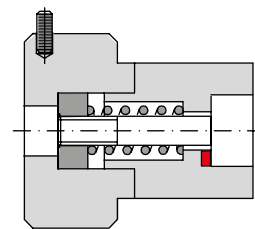
DATI 21900

Identification stamp with fast-change system

Ø 6, 8, 12, 16 mm without height adjustment, with latching function, with flush fixing



Dimension table in mm				
D	6	8	12	16
d	3,1	4,6	6,4	8,4
L	14	17	22	27

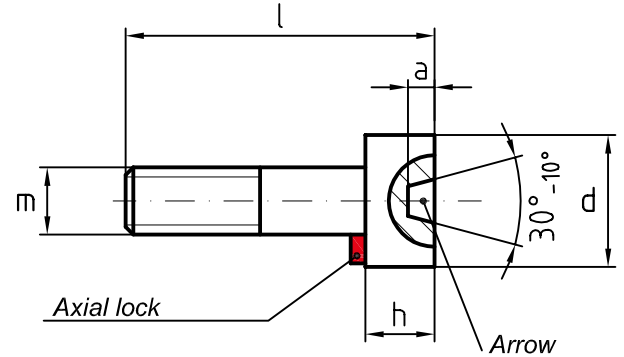
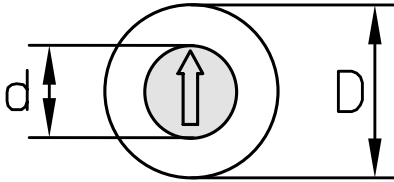


Type	K	M	N
Indicator	Quarter + year (e.g. 1. quarter 26)	Identifier letters A – M (type M)	Identifier letters M – X (type N)
D	Order no.	Order no.	Order no.
6	K/21906/Jahr(Year)	M/21906/00	N/21906/00
8	K/21908/Jahr(Year)	M/21908/00	N/21908/00
12	K/21912/Jahr(Year)	M/21912/00	N/21912/00
16	K/21916/Jahr(Year)	M/21916/00	N/21916/00

Type	R	Z
Indicator	Identification according to customers preference e.g. material identification	without markings
D	Order no.	Order no.
6	R/21906/Zeichen	Z/21906/00
8	R/21908/Zeichen	Z/21908/00
12	R/21912/Zeichen	Z/21912/00
16	R/21916/Zeichen	Z/21916/00

DATI 21900

Inserts compatible with DATI 21900 / 2900



Dimension table in mm				
D	6	8	12	16
d	3,1	4,6	6,4	8,4
l	13	14	17	23
h	2,8	4	4	5
a	0,4	0,4	0,6	0,6
m	1,6 x 0,2	2,5 x 0,35	3	3,5

Material:
1.4034, hardened HRC 56 ± 2 stainless

Adjustable inserts for DATI 21900

Type	E	G	O
Indicator	Adjustable inserts with arrow + year	Adjustable inserts with arrow without year	Adjustable inserts according to customer preference with numbers and / or letters
D	Order no.	Order no.	Order no.
6	F/2906/Jahr(Year)	G/2906/00	O/2906/Zeichen(Symbol)
8	F/2908/Jahr(Year)	G/2908/00	O/2908/Zeichen(Symbol)
12	F/2912/Jahr(Year)	G/2912/00	O/2912/Zeichen(Symbol)
16	F/2916/Jahr(Year)	G/2916/00	O/2916/Zeichen(Symbol)

