

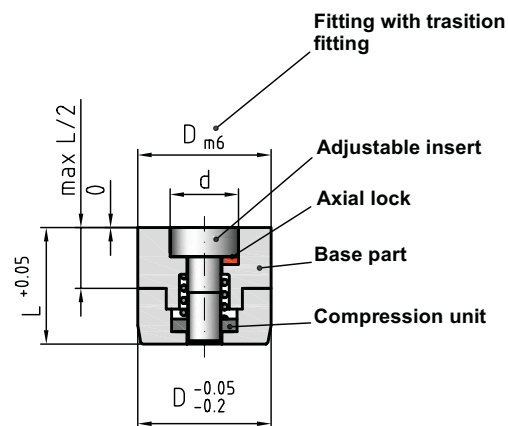
DATI 2300

Identification stamp with fast-change system $\varnothing 2,6 - 20$ mm without height adjustment, with latching function, short version, for pressing in the mould

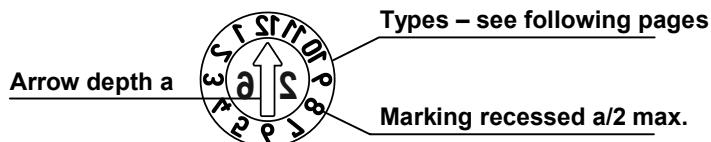
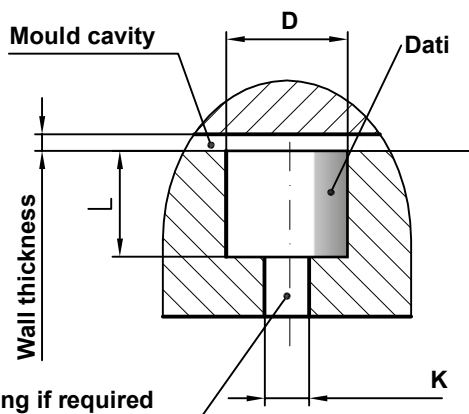
DATI®-DESCRIPTION



- Sleeve with identifier
- Adjustable insert with an indicator arrow.
The recessed indicator arrow is used as a screw slot for adjustment the and to change the insert
- Compression unit for the infinite locking of the adjustable insert individual
- Material for sleeve and adjustable insert: 1.4034, hardened HRC 56 ± 2 stainless
- Inscription: laterally reversed
- No-screw fitting



Installation



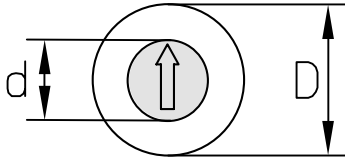
Dimension table in mm				
D	d	L	a	K
2,6	1,4	4	0,2	2,1
2,8	1,4	4	0,2	2,1
3	1,6	4	0,2	2,1
3,5	1,6	5	0,2	2,1
4	2,5	5	0,3	2,6
5	3,1	8	0,4	3,2
6	3,1	8	0,4	3,2
8	4,4	10	0,4	5,2
10	5,2	12	0,4	6,2
12	6,2	14	0,6	7,2
16	8,2	14	0,6	8,2
20	11	16	0,6	10,2

FAST CHANGING SYSTEM

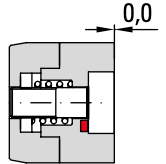
FAST CHANGING SYSTEM			At the end of each year, the adjustable insert with year is changed in a matter of seconds by removing and screwing it in. - Stop production, open mould - Change adjustable insert, set date - Continue production - Check setting on moulded part
<p>To screw in adjustable insert:</p> <ul style="list-style-type: none"> • Turn clockwise • Max. to end position • Tenses automatically • Tensioning range 3 – 5 turns 	<p>To adjust adjustable insert:</p> <ul style="list-style-type: none"> • Turn clockwise or counter clockwise • Set desired position • Reclamp if necessary by turning clockwise 	<p>To change adjustable insert:</p> <ul style="list-style-type: none"> • Turn continuously counter clockwise • The adjustable insert will raise • Remove adjustable insert 	

DATI 2300

Identification stamp with fast-change system Ø 2,6 – 20 mm without height adjustment, with latching function, short version, for pressing in the mould



Dimension table in mm													
D	2,6	2,8	3	3,5	4	5	6	8	10	12	16	20	mm
d	1,4	1,4	1,6	1,6	2,5	3,1	3,1	4,4	5,2	6,2	8,2	11	mm

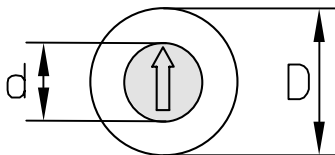


Type	A	B	C	CC
Indicator	Months + year (e.g. dec. 26)	Months (e.g. dec.) connected with type C (displays e.g. dec. 26)	Year + 5 years connected with type B (displays e.g. dec. 26)	Year + 11 years connected with type B (displays e.g. dec. 26)
D	Order no.	Order no.	Order no.	Order no.
2,6	A/2302,6/Jahr(Year)	B/2302,6/00	C/2302,6/Jahr(Year)+5	CC/2302,6/Jahr(Year)+11
2,8	A/2302,8/Jahr(Year)	B/2302,8/00	C/2302,8/Jahr(Year)+5	CC/2302,8/Jahr(Year)+11
3	A/2303/Jahr(Year)	B/2303/00	C/2303/Jahr(Year)+5	CC/2303/Jahr(Year)+11
3,5	A/2303,5/Jahr(Year)	B/2303,5/00	C/2303,5/Jahr(Year)+5	CC/2303,5/Jahr(Year)+11
4	A/2304/Jahr(Year)	B/2304/00	C/2304/Jahr(Year)+5	CC/2304/Jahr(Year)+11
5	A/2305/Jahr(Year)	B/2305/00	C/2305/Jahr(Year)+5	CC/2305/Jahr(Year)+11
6	A/2306/Jahr(Year)	B/2306/00	C/2306/Jahr(Year)+5	CC/2306/Jahr(Year)+11
8	A/2308/Jahr(Year)	B/2308/00	C/2308/Jahr(Year)+5	CC/2308/Jahr(Year)+11
10	A/2310/Jahr(Year)	B/2310/00	C/2310/Jahr(Year)+5	CC/2310/Jahr(Year)+11
12	A/2312/Jahr(Year)	B/2312/00	C/2312/Jahr(Year)+5	CC/2312/Jahr(Year)+11
16	A/2316/Jahr(Year)	B/2316/00	C/2316/Jahr(Year)+5	CC/2316/Jahr(Year)+11
20	A/2320/Jahr(Year)	B/2320/00	C/2320/Jahr(Year)+5	CC/2320/Jahr(Year)+11

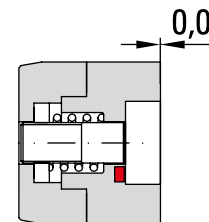
Type	D + E	H + I	L + E	J
Indicator	Week + year (e.g. the combination numbers 30 + 0: calendar week 30/26)	Days (e.g. 20 + 0 = 20) connected with type A (displays e.g. 20. dec. 26)	Days + month + year (e.g. 25. may 26) 12 x month 01 ... 12	Shift numbers (e.g. 2nd shift)
D	Order no.	Order no.	Order no.	Order no.
2,6	D+E/2302,6/Jahr(Year)	H+I/2302,6/00	L+E/2302,6/Jahr(Year)	J/2302,6/00
2,8	D+E/2302,8/Jahr(Year)	H+I/2302,8/00	L+E/2302,8/Jahr(Year)	J/2302,8/00
3	D+E/2303/Jahr(Year)	H+I/2303/00	L+E/2303/Jahr(Year)	J/2303/00
3,5	D+E/2303,5/Jahr(Year)	H+I/2303,5/00	L+E/2303,5/Jahr(Year)	J/2303,5/00
4	D+E/2304/Jahr(Year)	H+I/2304/00	L+E/2304/Jahr(Year)	J/2304/00
5	D+E/2305/Jahr(Year)	H+I/2305/00	L+E/2305/Jahr(Year)	J/2305/00
6	D+E/2306/Jahr(Year)	H+I/2306/00	L+E/2306/Jahr(Year)	J/2306/00
8	D+E/2308/Jahr(Year)	H+I/2308/00	L+E/2308/Jahr(Year)	J/2308/00
10	D+E/2310/Jahr(Year)	H+I/2310/00	L+E/2310/Jahr(Year)	J/2310/00
12	D+E/2312/Jahr(Year)	H+I/2312/00	L+E/2312/Jahr(Year)	J/2312/00
16	D+E/2316/Jahr(Year)	H+I/2316/00	L+E/2316/Jahr(Year)	J/2316/00
20	D+E/2320/Jahr(Year)	H+I/2320/00	L+E/2320/Jahr(Year)	J/2320/00

DATI 2300

Identification stamp with fast-change system $\varnothing 2,6 - 20$ mm without height adjustment, with latching function, short version, for pressing in the mould



Dimension table in mm													
D	2,6	2,8	3	3,5	4	5	6	8	10	12	16	20	mm
d	1,4	1,4	1,6	1,6	2,5	3,1	3,1	4,4	5,2	6,2	8,2	11	mm

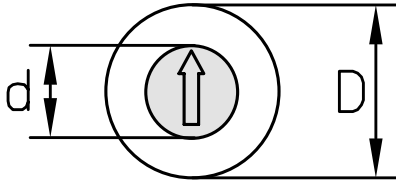


Type	K	M	N	R
Indicator	Quarter + year (e.g. 1. quarter 26)	Identifier letters A – L (type M)	Identifier letters M – X (type N)	Identification according to customers preference e.g. material identification
D	Order no.	Order no.	Order no.	Order no.
2,6	K/2302,6/Jahr(Year)	M/2302,6/00	N/2302,6/00	R/2302,6/Zeichen(Symbol)
2,8	K/2302,8/Jahr(Year)	M/2302,8/00	N/2302,8/00	R/2302,8/Zeichen(Symbol)
3	K/2303/Jahr(Year)	M/2303/00	N/2303/00	R/2303/Zeichen(Symbol)
3,5	K/2303,5/Jahr(Year)	M/2303,5/00	N/2303,5/00	R/2303,5/Zeichen(Symbol)
4	K/2304/Jahr(Year)	M/2304/00	N/2304/00	R/2304/Zeichen(Symbol)
5	K/2305/Jahr(Year)	M/2305/00	N/2305/00	R/2305/Zeichen(Symbol)
6	K/2306/Jahr(Year)	M/2306/00	N/2306/00	R/2306/Zeichen(Symbol)
8	K/2308/Jahr(Year)	M/2308/00	N/2308/00	R/2308/Zeichen(Symbol)
10	K/2310/Jahr(Year)	M/2310/00	N/2310/00	R/2310/Zeichen(Symbol)
12	K/2312/Jahr(Year)	M/2312/00	N/2312/00	R/2312/Zeichen(Symbol)
16	K/2316/Jahr(Year)	M/2316/00	N/2316/00	R/2316/Zeichen(Symbol)
20	K/2320/Jahr(Year)	M/2320/00	N/2320/00	R/2320/Zeichen(Symbol)

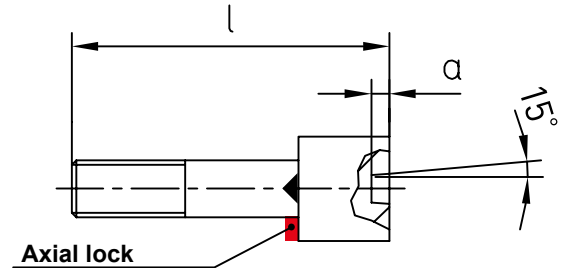
Type	R	Z
Indicator	Indicator Days 1 – 31	without markings
D	Order no.	Order no.
2,6		Z/2302,6/00
2,8		Z/2302,8/00
3		Z/2303/00
3,5		Z/2303,5/00
4		Z/2304/00
5	TR/2305/00	Z/2305/00
6	TR/2306/00	Z/2306/00
8	TR/2308/00	Z/2308/00
10	TR/2310/00	Z/2310/00
12	TR/2312/00	Z/2312/00
16	TR/2316/00	Z/2316/00
20		Z/2320/00

DATI 2300

Adjustable inserts for DATI 2300



Dimension table in mm												
D	2,6	2,8	3	3,5	4	5	6	8	10	12	16	20
d	1,4	1,4	1,6	1,6	2,5	3,1	3,1	4,4	5,2	6,2	8,2	11
l	3,9	3,9	3,9	3,9	4,9	7,8	7,8	9,8	11,8	13,8	13,8	15,8
a	0,2	0,2	0,2	0,2	0,30	0,40	0,40	0,40	0,40	0,60	0,60	0,60



Material:
1.4034, hardened HRC 56 ± 2 stainless

Adjustable inserts for DATI 2300

Type	F	G	O
Indicator	Adjustable inserts with arrow + year	Adjustable inserts with arrow without year	Adjustable inserts according to customer preference with numbers and / or letters
D	Order no.	Order no.	Order no.
2,6	F/2302,6/Jahr(Year)	G/2302,6/00	O/2302,6/Symbol
2,8	F/2302,8/Jahr(Year)	G/2302,8/00	O/2302,8/Symbol
3	F/2303/Jahr(Year)	G/2303/00	O/2303/Symbol
3,5	F/2303,5/Jahr(Year)	G/2303,5/00	O/2303,5/Symbol
4	F/2304/Jahr(Year)	G/2304/00	O/2304/Symbo
5	F/2305/Jahr(Year)	G/2305/00	O/2305/Symbol
6	F/2306/Jahr(Year)	G/2306/00	O/2306/Symbo
8	F/2308/Jahr(Year)	G/2308/00	O/2308/Symbo
10	F/2310/Jahr(Year)	G/2310/00	O/2310/Symbol
12	F/2312/Jahr(Year)	G/2312/00	O/2312/Symbol
16	F/2316/Jahr(Year)	G/2316/00	O/2316/Symbol
20	F/2320/Jahr(Year)	G/2320/00	O/2320/Symbol