

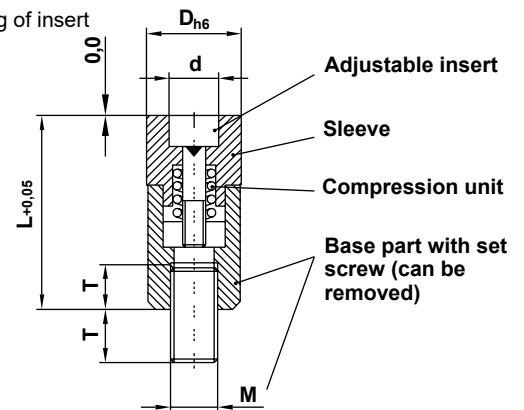
DATI 2900

Identification stamp with fast-change system Ø 3 – 16 mm without height adjustment, with latching function, installation also possible from the mould parting surface

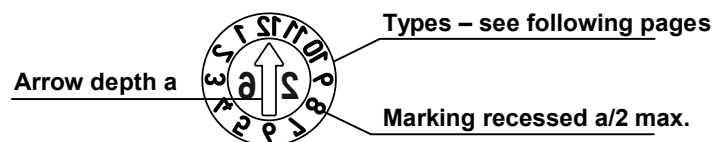
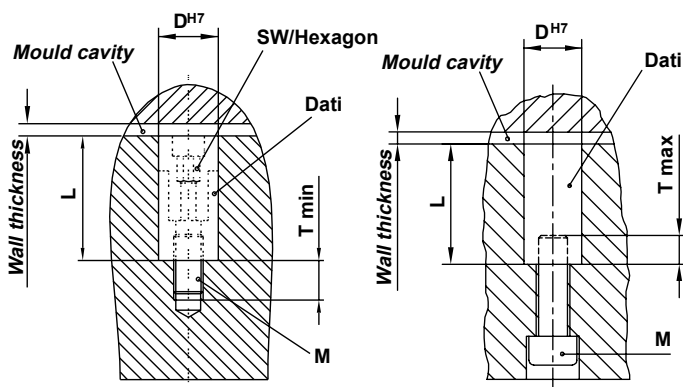
DATI®-DESCRIPTION



- Sleeve with identifier
- Adjustable insert with an indicator arrow. This arrow is use as screw slot for the adjustment and for fast changing of insert
- Fastening thread
- Clamping unit for infinite locking of the adjustable insert
- Material for sleeve and insert: 1.4034, hardened HRC 56 ± 2 stainless
- Marking laterally reversed



Installation



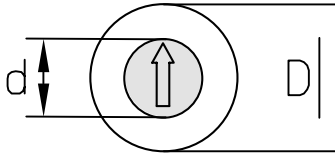
| Dimension table in mm | | | | | | |
|-----------------------|-----|----|---|---|------|-----|
| D | d | L | M | T | a | SW |
| 3 | 1,6 | 14 | 2 | 3 | 0,20 | 1,2 |
| 4 | 2,5 | 14 | 2 | 3 | 0,30 | 1,5 |
| 5 | 3,1 | 17 | 3 | 3 | 0,40 | 2 |
| 6 | 3,1 | 17 | 3 | 3 | 0,40 | 2 |
| 8 | 4,6 | 20 | 4 | 4 | 0,40 | 3 |
| 10 | 4,6 | 20 | 5 | 4 | 0,40 | 3 |
| 12 | 6,4 | 25 | 6 | 6 | 0,60 | 4 |
| 16 | 8,4 | 33 | 8 | 8 | 0,60 | 4 |

FAST CHANGING SYSTEM

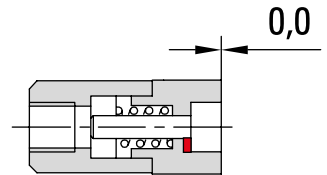
| | | | |
|--|--|--|---|
| | | | <p>At the end of each year, the adjustable insert with year is changed in a matter of seconds by removing and screwing it in.</p> <ul style="list-style-type: none"> - Stop production, open mould - Change adjustable insert, set date - Continue production - Check setting on moulded part |
| <p>To screw in adjustable insert:</p> <ul style="list-style-type: none"> • Turn clockwise • Max. to end position • Tenses automatically • Tensioning range 3 – 5 turns | <p>To turn adjustable insert:</p> <ul style="list-style-type: none"> • Turn clockwise or counter clockwise • Set desired position • Reclamp if necessary by turning clockwise | <p>To change adjustable insert:</p> <ul style="list-style-type: none"> • Turn continuously counter clock-wise • The adjustable insert will raise • Remove adjustable insert | |

DATI 2900

Identification stamp with fast-change system Ø 3 – 16 mm without height adjustment, with latching function, installation also possible from the mould parting surface



| Dimension table in mm | | | | | | | | | |
|-----------------------|-----|-----|-----|-----|-----|-----|-----|-----|----|
| D | 3 | 4 | 5 | 6 | 8 | 10 | 12 | 16 | mm |
| d | 1,6 | 2,5 | 3,1 | 3,1 | 4,6 | 4,6 | 6,4 | 8,4 | mm |

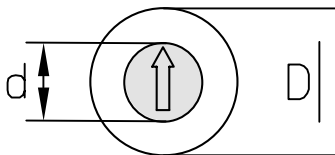


| Type | A | B | C | CC |
|-----------|---------------------------------|--|--|---|
| Indicator | | | | |
| Indicator | Months + year (e.g. dec. 26) | Months (e.g. dec.) connected with type C (displays e.g. dec. 26) | Year + 5 years connected with type B (displays e.g. dec. 26) | Year + 11 years connected with type B (displays e.g. dec. 26) |
| D | Order no. | Order no. | Order no. | Order no. |
| 3 | A/2903/Jahr(Year) | B/2903/00 | C/2903/Jahr(Year)+5 | CC/2903/Jahr(Year)+11 |
| 4 | A/2904/Jahr(Year) | B/2904/00 | C/2904/Jahr(Year)+5 | CC/2904/Jahr(Year)+11 |
| 5 | A/2905/Jahr(Year) | B/2905/00 | C/2905/Jahr(Year)+5 | CC/2905/Jahr(Year)+11 |
| 6 | A/2906/Jahr(Year) | B/2906/00 | C/2906/Jahr(Year)+5 | CC/2906/Jahr(Year)+11 |
| 8 | A/2908/Jahr(Year) | B/2908/00 | C/2908/Jahr(Year)+5 | CC/2908/Jahr(Year)+11 |
| 10 | A/2910/Jahr(Year) | B/2910/00 | C/2910/Jahr(Year)+5 | CC/2910/Jahr(Year)+11 |
| 12 | A/2912/Jahr(Year) | B/2912/00 | C/2912/Jahr(Year)+5 | CC/2912/Jahr(Year)+11 |
| 16 | A/2916/Jahr(Year) | B/2916/00 | C/2916/Jahr(Year)+5 | CC/2916/Jahr(Year)+11 |

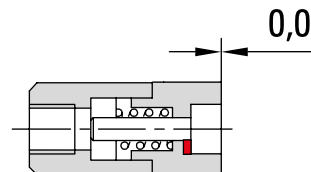
| Type | D + E | H + I | L + E | J |
|-----------|--|---|--|-----------------------------------|
| Indicator | | | | |
| Indicator | Week + year (e.g. the combination of the numbers 30 and 0 results in 30 + 0: calendar week 30/26) | Days (e.g. 20 + 0 = 20) connected with type A (displays e.g. 20. dec. 26) | Days + month + year (e.g. 20. may 26) | Shift numbers (e.g. 2nd shift) |
| D | Order no. | Order no. | Order no. | Order no. |
| 3 | D+E/2903/Jahr(Year) | H+I/2903/00 | L+E/2903/Jahr(Year) | J/2903/00 |
| 4 | D+E/2904/Jahr(Year) | H+I/2904/00 | L+E/2904/Jahr(Year) | J/2904/00 |
| 5 | D+E/2905/Jahr(Year) | H+I/2905/00 | L+E/2905/Jahr(Year) | J/2905/00 |
| 6 | D+E/2906/Jahr(Year) | H+I/2906/00 | L+E/2906/Jahr(Year) | J/2906/00 |
| 8 | D+E/2908/Jahr(Year) | H+I/2908/00 | L+E/2908/Jahr(Year) | J/2908/00 |
| 10 | D+E/2910/Jahr(Year) | H+I/2910/00 | L+E/2910/Jahr(Year) | J/2910/00 |
| 12 | D+E/2912/Jahr(Year) | H+I/2912/00 | L+E/2912/Jahr(Year) | J/2912/00 |
| 16 | D+E/2916/Jahr(Year) | H+I/2916/00 | L+E/2916/Jahr(Year) | J/2916/00 |

DATI 2900

Identification stamp with fast-change system $\varnothing 3 - 16$ mm without height adjustment, with latching function, installation also possible from the mould parting surface



| Dimension table in mm | | | | | | | | | |
|-----------------------|-----|-----|-----|-----|-----|-----|-----|-----|----|
| D | 3 | 4 | 5 | 6 | 8 | 10 | 12 | 16 | mm |
| d | 1,6 | 2,5 | 3,1 | 3,1 | 4,6 | 4,6 | 6,4 | 8,4 | mm |

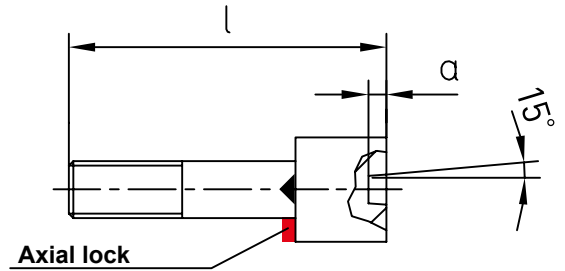
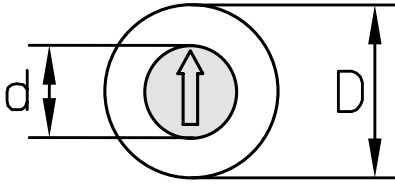


| Type | K | M | N | R |
|-----------|--|--------------------------------------|--------------------------------------|--|
| Indicator | Quarter + year (e.g. 1. quarter 26) | Identifier letters A – L (type M) | Identifier letters M – X (type N) | Identification according to customers preference e.g. material identification |
| D | Order no. | Order no. | Order no. | Order no. |
| 3 | K/2903/Jahr(Year) | M/2903/00 | N/2903/00 | R/2903/Zeichen(Symbol) |
| 4 | K/2904/Jahr(Year) | M/2904/0 | N/2904/00 | R/2904/Zeichen(Symbol) |
| 5 | K/2905/Jahr(Year) | M/2905/00 | N/2905/00 | R/2905/Zeichen(Symbol) |
| 6 | K/2906/Jahr(Year) | M/2906/00 | N/2906/00 | R/2906/Zeichen(Symbol) |
| 8 | K/2908/Jahr(Year) | M/2908/00 | N/2908/00 | R/2908/Zeichen(Symbol) |
| 10 | K/2910/Jahr(Year) | M/2910/00 | N/2910/00 | R/2910/Zeichen(Symbol) |
| 12 | K/2912/Jahr(Year) | M/2912/00 | N/2912/00 | R/2912/Zeichen(Symbol) |
| 16 | K/2916/Jahr(Year) | M/2916/00 | N/2916/00 | R/2916/Zeichen(Symbol) |

| Type | TR | Z |
|-----------|-----------------------|------------------|
| Indicator | Indicator Days 1 – 31 | without markings |
| D | Order no. | Order no. |
| 3 | | Z/2903/00 |
| 4 | | Z/2904/00 |
| 5 | TR/2905/00 | Z/2905/00 |
| 6 | TR/2906/00 | Z/2906/00 |
| 8 | TR/2908/00 | Z/2908/00 |
| 10 | TR/2910/00 | Z/2910/00 |
| 12 | TR/2912/00 | Z/2912/00 |
| 16 | TR/2916/00 | Z/2916/00 |

DATI 2900

Inserts compatible with DATI 2900 / 21900



| Dimension table in mm | | | | | | | | | |
|-----------------------|-----|------|------|------|------|------|------|------|----|
| D | 3 | 4 | 5 | 6 | 8 | 10 | 12 | 16 | mm |
| d | 1,6 | 2,5 | 3,1 | 3,1 | 4,6 | 4,6 | 6,4 | 8,4 | mm |
| l | 9 | 10,5 | 13 | 13 | 14 | 14 | 17 | 23 | mm |
| a | 0,2 | 0,30 | 0,40 | 0,40 | 0,40 | 0,40 | 0,60 | 0,60 | mm |

Material:
1.4034, hardened HRC 56 ± 2 stainless

Adjustable inserts for DATI 2900

| Type | F | G | O |
|-----------|--------------------------------------|---|---|
| | | | |
| Indicator | Adjustable inserts with arrow + year | Adjustable inserts with an arrow without year | Adjustable inserts according to customer preference with numbers and / or letters |
| D | Order no. | Order no. | Order no. |
| 3 | F/2903/Jahr(Year) | G/2903/00 | O/2903/Zeichen(Symbol) |
| 4 | F/2904/Jahr(Year) | G/2904/00 | O/2904/Zeichen(Symbol) |
| 5 | F/2905/Jahr(Year) | G/2905/00 | O/2905/Zeichen(Symbol) |
| 6 | F/2906/Jahr(Year) | G/2906/00 | O/2906/Zeichen(Symbol) |
| 8 | F/2908/Jahr(Year) | G/2908/00 | O/2908/Zeichen(Symbol) |
| 10 | F/2910/Jahr(Year) | G/2910/00 | O/2910/Zeichen(Symbol) |
| 12 | F/2912/Jahr(Year) | G/2912/00 | O/2912/Zeichen(Symbol) |
| 16 | F/2916/Jahr(Year) | G/2916/00 | O/2916/Zeichen(Symbol) |