

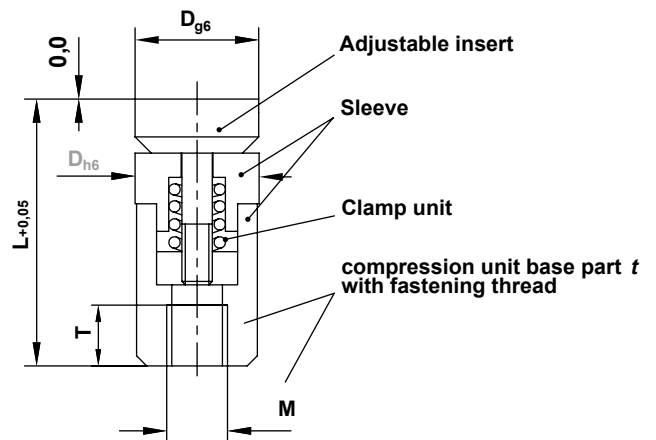
DATI 3000

Identification stamp with fast-change system $\varnothing 3 - 8$ mm without height adjustment

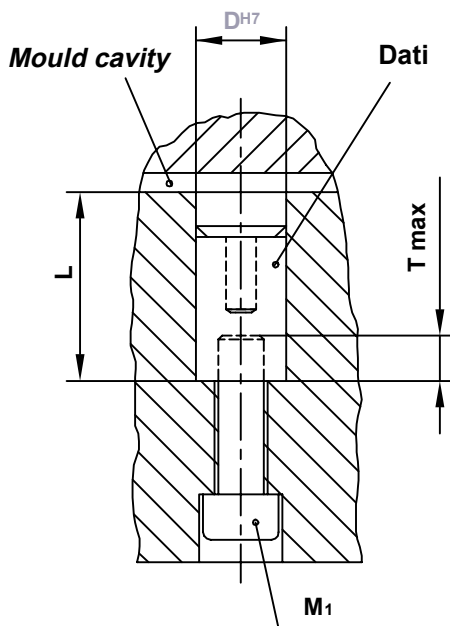


DATI®-DESCRIPTION

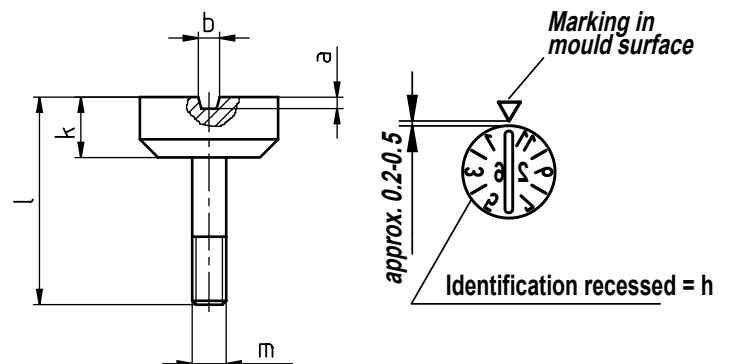
- Body for adjustable insert
- Adjustable insert with screw slot, for adjustment and to change the insert
- Fitting thread
- Compression unit, for the infinite locking of the adjustable unit
- Material for sleeve and adjustable insert: 1.4034, hardened HRC 56 ± 2 stainless
- Inscription laterally reversed



Installation



Dimension table in mm									
D	L	M	T	k	l	a	b	h	m
3	14	2	3	2	9	0,3	0,3	0,1	1
4	14	2	3	2,3	10,5	0,3	0,3	0,1	1,4 x 0,2
5	17	3	3,5	2,8	13	0,4	0,4	0,1	1,6 x 0,2
6	17	3	3,5	2,8	13	0,4	0,4	0,15	1,6 x 0,2
8	20	4	4,5	4	14	0,4	0,5	0,15	2,5 x 0,35

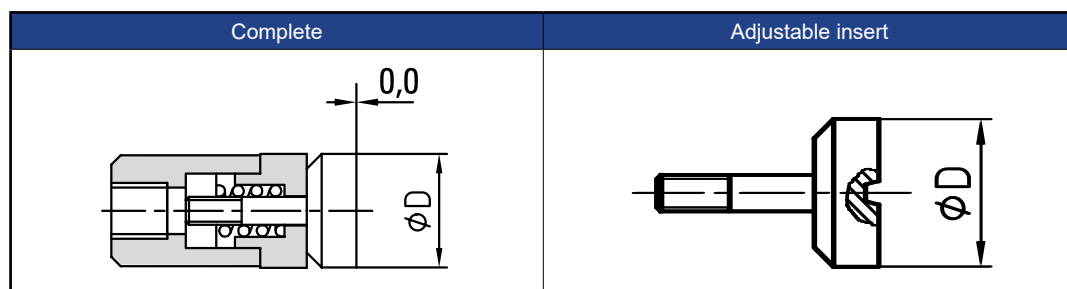
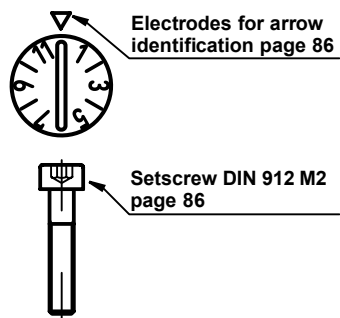


FAST CHANGING SYSTEM

FAST CHANGING SYSTEM		
<p>To screw in adjustable insert:</p> <ul style="list-style-type: none"> • Turn clockwise • Max. to end position • Tenses automatically • Tensioning range 3 – 5 turns 	<p>To turn adjustable insert:</p> <ul style="list-style-type: none"> • Can be turned clockwise and anti-clockwise • Set desired position • Re-clamp if necessary by turning clockwise 	<p>To change adjustable insert:</p> <ul style="list-style-type: none"> • Turn continuously anti-clockwise • Adjustable insert will raise • Remove adjustable insert

DATI 3000

Identification stamp with fast-change system Ø 3 – 8 mm without height adjustment

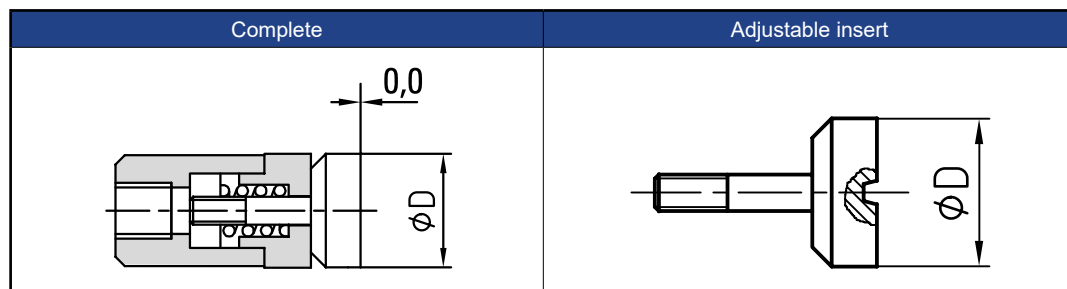
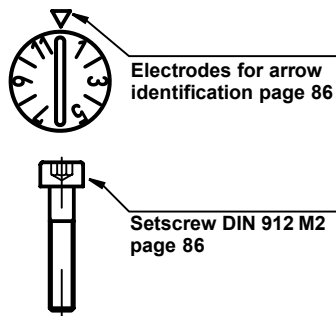


Type	A		B	
	Indicator	<p>Months + year (e.g. dec. 26)</p>		<p>Months (e.g. december.) connected with type C (displays e.g. dec. 26)</p>
D	Complete Order no.	Adjustable insert Order no.	Complete Order no.	Adjustable insert Order no.
3	A/3003/Jahr(Year)	AF/3003/Jahr(Year)	B/3003/00	BF/3003/00
4	A/3004/Jahr(Year)	AF/3004/Jahr(Year)	B/3004/00	BF/3004/00
5	A/3005/Jahr(Year)	AF/3005/Jahr(Year)	B/3005/00	BF/3005/00
6	A/3006/Jahr(Year)	AF/3006/Jahr(Year)	B/3006/00	BF/3006/00
8	A/3008/Jahr(Year)	AF/3008/Jahr(Year)	B/3008/00	BF/3008/00

Type	C		F	
	Indicator	<p>Year + 3 years connected with type B (displays e.g. dec. 26)</p>		<p>Arrow + year</p>
D	Complete Order no.	Adjustable insert Order no.	Complete Order no.	Adjustable insert Order no.
3	C/3003/Jahr(Year)+3	CF/3003/Jahr(Year)+3	F/3003/Jahr(Year)	FF/3003/Jahr(Year)
4	C/3004/Jahr(Year)+3	CF/3004/Jahr(Year)+3	F/3004/Jahr(Year)	FF/3004/Jahr(Year)
5	C/3005/Jahr(Year)+3	CF/3005/Jahr(Year)+3	F/3005/Jahr(Year)	FF/3005/Jahr(Year)
6	C/3006/Jahr(Year)+3	CF/3006/Jahr(Year)+3	F/3006/Jahr(Year)	FF/3006/Jahr(Year)
8	C/3008/Jahr(Year)+3	CF/3008/Jahr(Year)+3	F/3008/Jahr(Year)	FF/3008/Jahr(Year)

DATI 3000

Identification stamp with fast-change system $\varnothing 3 - 8$ mm without height adjustment

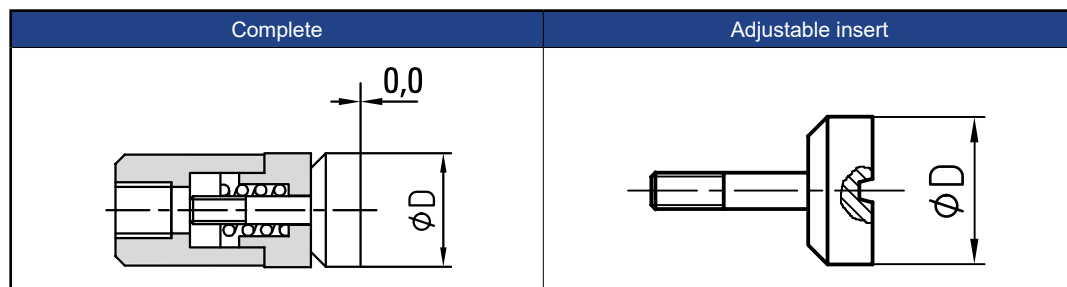
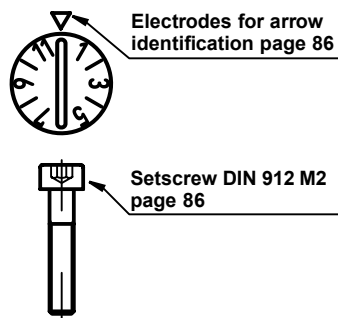


Type	G		M	
Indicator	Arrow		Letters A – F	
	Complete	Adjustable insert	Complete	Adjustable insert
D	Order no.	Order no.	Order no.	Order no.
3	G/3003/00	GF/3003/00	M/3003/00	MF/3003/00
4	G/3004/00	GF/3004/00	M/3004/00	MF/3004/00
5	G/3005/00	GF/3005/00	M/3005/00	MF/3005/00
6	G/3006/00	GF/3006/00	M/3006/00	MF/3006/00
8	G/3008/00	GF/3008/00	M/3008/00	MF/3008/00

Type	R		T	
Indicator	Examples Identification according to customer preference (e.g. 2, A, 26, PC)		Day connected with Type A displays e.g. 01.12.26 Consists of one complete stamp + 2 adjustable inserts	
	Complete	Adjustable insert	Complete	Adjustable insert
D	Order no.	Order no.	Order no.	Order no.
3	R/3003/Zeichen(Symbol)	RF/3003/Zeichen(Symbol)	T/3003/00	TF/3003/00
4	R/3004/Zeichen(Symbol)	RF/3004/Zeichen(Symbol)	T/3004/00	TF/3004/00
5	R/3005/Zeichen(Symbol)	RF/3005/Zeichen(Symbol)	T/3005/00	TF/3005/00
6	R/3006/Zeichen(Symbol)	RF/3006/Zeichen(Symbol)	T/3006/00	TF/3006/00
8	R/3008/Zeichen(Symbol)	RF/3008/Zeichen(Symbol)	T/3008/00	TF/3008/00

DATI 3000

Identification stamp with fast-change system $\varnothing 3 - 8$ mm without height adjustment



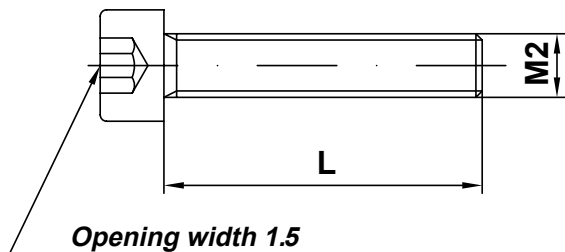
Type	W				W					
	<p>1-13 14-26 27-39 40-52</p>	<p>14-26 27-39 40-52</p>			<p>Week + year (e.g. 1st week 26) Consists of 1 complete stamp + 3 adjustable inserts</p>				<p>Week + year (e.g. 14th week 26) Consists of one complete stamp + 2 adjustable inserts</p>	
Indicator	Complete		Adjustable insert		Complete		Adjustable insert			
D	Order no.		Order no.		Order no.		Order no.			
3	W/3003/1-52/Jahr(Year)		WF/3003/1-52/Jahr(Year)		W/3003/14-52/Jahr(Year)		WF/3003/14-52/Jahr(Year)			
4	W/3004/1-52/Jahr(Year)		WF/3004/1-52/Jahr(Year)		W/3004/14-52/Jahr(Year)		WF/3004/14-52/Jahr(Year)			
5	W/3005/1-52/Jahr(Year)		WF/3005/1-52/Jahr(Year)		W/3005/14-52/Jahr(Year)		WF/3005/14-52/Jahr(Year)			
6	W/3006/1-52/Jahr(Year)		WF/3006/1-52/Jahr(Year)		W/3006/14-52/Jahr(Year)		WF/3006/14-52/Jahr(Year)			
8	W/3008/1-52/Jahr(Year)		WF/3008/1-52/Jahr(Year)		W/3008/14-52/Jahr(Year)		WF/3008/14-52/Jahr(Year)			

Type	W		W					
	<p>27-39 40-52</p>	<p>40-52</p>			<p>Week + year (z. B. 27. week 26) Consists of one complete stamp + 1 adjustable insert</p>		<p>Week + year (e.g. 40th week 26) Consists of one complete stamp</p>	
Indicator	Complete		Adjustable insert		Complete		Adjustable insert	
D	Order no.		Order no.		Order no.		Order no.	
3	W/3003/27-52/Jahr(Year)		WF/3003/27-52/Jahr(Year)		W/3003/40-52/Jahr(Year)		WF/3003/40-52/Jahr(Year)	
4	W/3004/27-52/Jahr(Year)		WF/3004/27-52/Jahr(Year)		W/3004/40-52/Jahr(Year)		WF/3004/40-52/Jahr(Year)	
5	W/3005/27-52/Jahr(Year)		WF/3005/27-52/Jahr(Year)		W/3005/40-52/Jahr(Year)		WF/3005/40-52/Jahr(Year)	
6	W/3006/27-52/Jahr(Year)		WF/3006/27-52/Jahr(Year)		W/3006/40-52/Jahr(Year)		WF/3006/40-52/Jahr(Year)	
8	W/3008/27-52/Jahr(Year)		WF/3008/27-52/Jahr(Year)		W/3008/40-52/Jahr(Year)		WF/3008/40-52/Jahr(Year)	

DATI 3000

DATI 3000 Accessories

Allen screw DIN 912 8.8

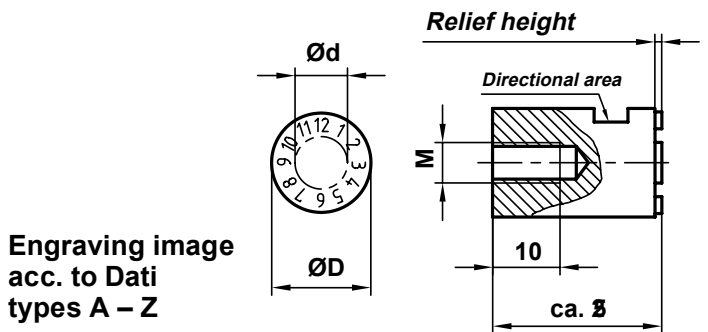


We will charge additional 10 euro for single orders of screws.

Dimension table in mm	
L	
Gewinde bis Kopf	
10	
12	
16	
20	
30	
Gewinde nicht bis Kopf	
40	

Ordering example	
M2 x 10 DIN 912	

Electrode /adjusted to type F & G / 3000



Engraving image acc. to Dati types A – Z

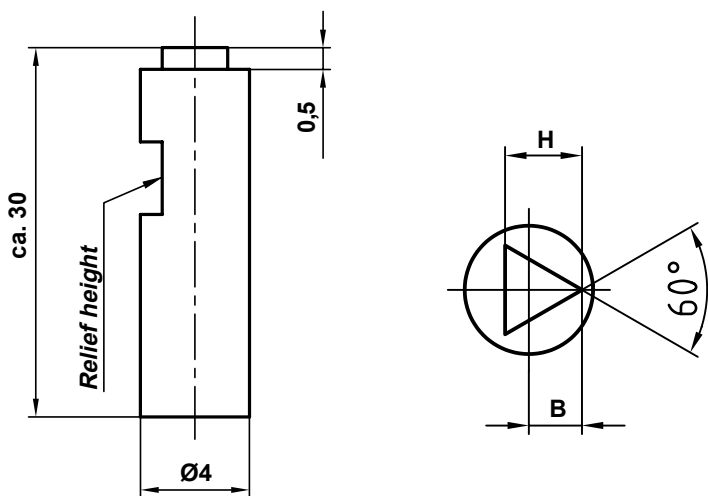
Example type B

Material: copper

Dimension table in mm			
d	D	M	Relief height
3	6	4	0,5
4	8	4	0,5
5	10	4	0,5
6	12	6	1,0
8	16	6	1,0

Ordering example	
Electrode d = Ø 3 with months 1 – 12 = 1-3003-B (or acc. to types A – Z)	

Electrode for identification



Material: copper

Dimension table in mm	
H	B
1	0,5
2	1,0

Electrode no. 1-3000	
Ordering example	
Electrode with H=2: 1-3000-2	