

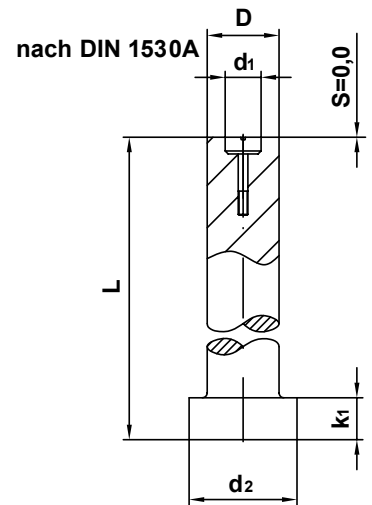
## DATI 3500

Identification stamp with flush fixing  $\varnothing 3 - 16$  mm without height adjustment, with latching function

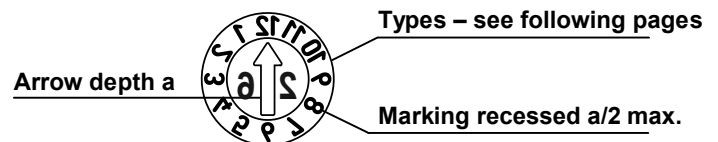
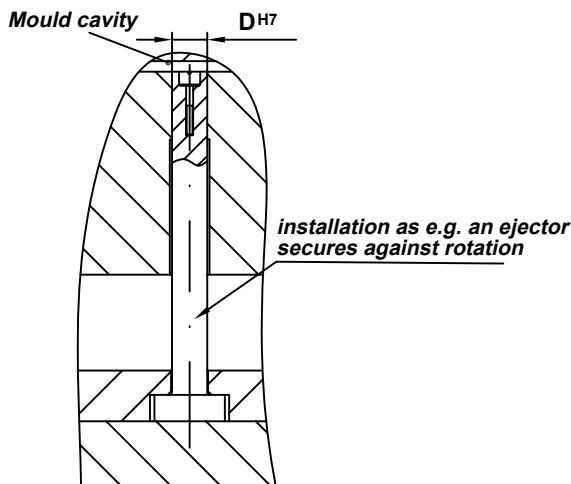
### DATI®-DESCRIPTION



- Date stamp without height adjustment with length according to customer preference. Made from an ejector pin
- The adjustable insert can be changed within a few seconds from the front
- Inscription according to type list or customer preference






### Installation



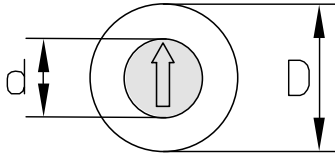
Dimension table in mm					
D	d1	d2	k1	a	L
3	1,6	6	3	0,2	Customers specification
4	2,5	8	3	0,3	
5	3,0	10	3	0,4	
6	3,0	12	5	0,4	
8	4,0	14	5	0,4	
10	5,0	16	5	0,4	
12	6,0	18	7	0,6	
16	8,0	22	7	0,6	

### FAST CHANGING SYSTEM

			At the end of each year, the adjustable insert with year is changed in a matter of seconds by removing and screwing it in. - Stop production, open mould - Change adjustable insert, set date - Continue production - Check setting on moulded part
To screw in adjustable insert: • Turn clockwise • Max. to end position • Tenses automatically • Tensioning range 3 – 5 turns	To turn adjustable insert: • Turn clockwise or counter clockwise • Set desired position • Reclamp if necessary by turning clockwise	To change adjustable insert: • Turn continuously counter clockwise • The adjustable insert will raise • Remove adjustable insert	

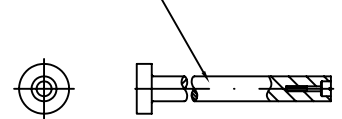
## DATI 3500

Identification stamp with flush fixing  $\varnothing 3 - 16$  mm without height adjustment, with latching function



Dimension table in mm									
D	3	4	5	6	8	10	12	16	mm
d	1,6	2,5	3,0	3,0	4,0	5,0	6,0	8,0	mm

Dati 3500 DIN 1530A



Ordering example: A/2508/22 L=157,3 mm
corresponds to date stamp $\varnothing 8,0$ mm, display month and year 22, length 157,3 mm

without height adjustment,  
with latching function

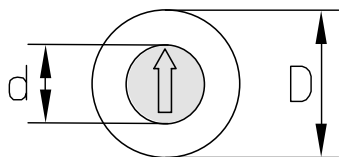
Other lengths, materials, diameters and inscription upon request

Type	A			B			C			CC		
	Indicator											
D												
Lenght	100 mm	200 mm	350 mm	100 mm	200 mm	350 mm	100 mm	200 mm	350 mm	100 mm	200 mm	350 mm
3												
4												
5												
6												
8												
10												
12												
16												

Type	D + E			H + I			L + E			J		
	Indicator											
D							Euro					
Lenght	100 mm	200 mm	350 mm	100 mm	200 mm	350 mm	100 mm	200 mm	350 mm	100 mm	200 mm	350 mm
3												
4												
5												
6												
8												
10												
12												
16												

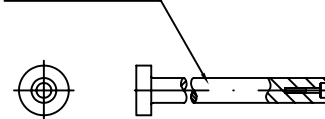
## DATI 3500

Identification stamp with flush fixing  $\varnothing$  3– 16 mm without height adjustment, with latching function



Dimension table in mm									
D	3	4	5	6	8	10	12	16	mm
d	1,6	2,5	3,0	3,0	4,0	5,0	6,0	8,0	mm

Dati 3500 DIN 1530A



Ordering example: A/2508/22 L=157,3 mm  
corresponds to date stamp  $\varnothing$  8,0 mm, display month and year 22, length 157,3 mm

without height adjustment,  
with latching function

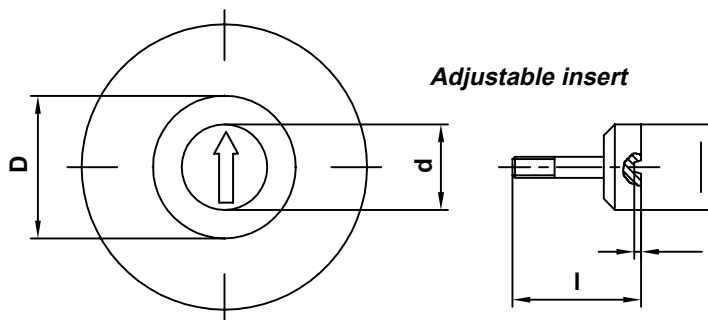
Other lengths, materials, diameters and inscription upon request

Type	K			M			N			R		
	Indicator											
D												
Lenght	100 mm	200 mm	350 mm	100 mm	200 mm	350 mm	100 mm	200 mm	350 mm	100 mm	200 mm	350 mm
3												
4												
5												
6												
8												
10												
12												
16												

Type	T			Z		
	Indicator					
D						
Lenght	100 mm	200 mm	350 mm	100 mm	200 mm	350 mm
3						
4						
5						
6						
8						
10						
12						
16						

## DATI 3500

DATI 3500 without height adjustment, without latching function



Dimension table in mm									
D	3	4	5	6	8	10	12	16	mm
d	1,6	2,5	3,0	3,0	4,0	5,0	6,0	8,0	mm
a	0,2	0,3	0,3	0,3	0,3	0,4	0,4	0,4	mm
l	9	10,5	9	9	10,5	13	13	14	mm

Material:  
1.4034, hardened HRC 56 ± 2 stainless

### Adjustable inserts for DATI 3500

Type	FF	GF	RF
Indicator	Adjustable inserts with arrow + year	Adjustable inserts with arrow without year	Adjustable inserts according to customer preference with numbers and / or letters
D	Order no.	Order no.	Order no.
3	FF/3503/Jahr(Year)	GF/3503/00	RF/3503/Zeichen(Symbol)
4	FF/3504/Jahr(Year)	GF/3504/00	RF/3504/Zeichen(Symbol)
5	FF/3505/Jahr(Year)	GF/3505/00	RF/3505/Zeichen(Symbol)
6	FF/3506/Jahr(Year)	GF/3506/00	RF/3506/Zeichen(Symbol)
8	FF/3508/Jahr(Year)	GF/3508/00	RF/3508/Zeichen(Symbol)
10	FF/3510/Jahr(Year)	GF/3510/00	RF/3510/Zeichen(Symbol)
12	FF/3512/Jahr(Year)	GF/3512/00	RF/3512/Zeichen(Symbol)
16	FF/3516/Jahr(Year)	GF/3516/00	RF/3516/Zeichen(Symbol)