

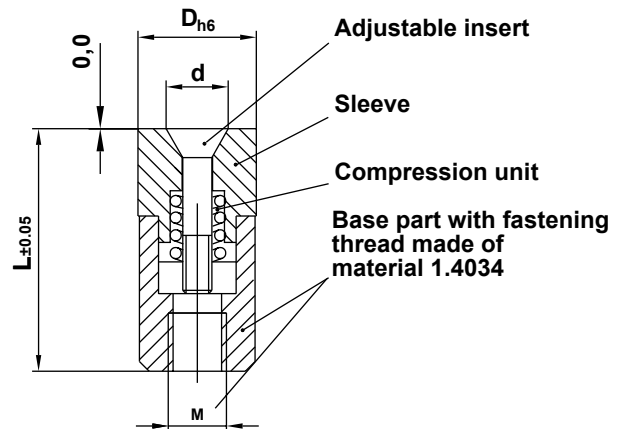
## DATI 5000

Identification stamp with fast-change system  $\varnothing 3 - 16$  mm without height adjustment, with tapered head insert

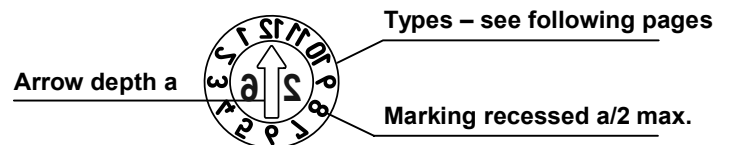
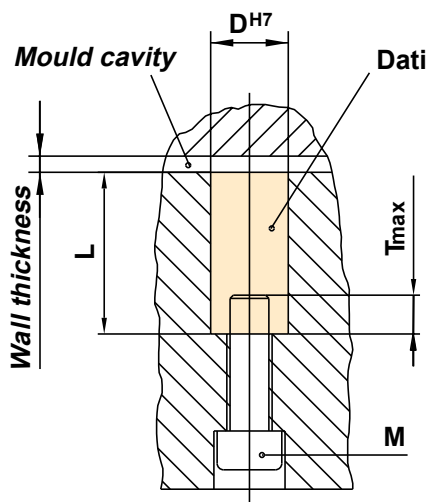
### DATI®-DESCRIPTION



- Sleeve with identifier
- Adjustable insert with an indicator arrow. The recessed indicator arrow is used as a screw slot for adjustment and to change the insert
- Fastening thread
- Compression spring for the infinite locking of the adjustable insert
- Material for sleeve and adjustable insert: 1.4034, hardened, ca. HRC 54-56



### Installation



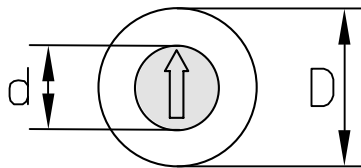
Dimension table in mm					
D	d	L	M	T	a
3	1,6	14	2	3	0,20
4	2,5	14	2	3	0,40
5	3,1	17	3	3,5	0,50
6	3,1	17	3	3,5	0,50
8	4,6	20	4	4	0,60
10	4,6	20	5	4	0,60
12	6,4	25	6	6	0,80
16	8,4	33	8	8	0,80

### FAST CHANGING SYSTEM

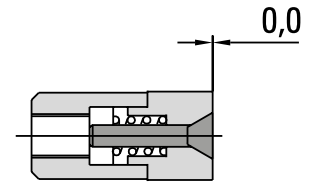
			At the end of each year, the adjustable insert with year is changed in a matter of seconds by removing and screwing it in. - Stop production, open mould - Change adjustable insert, set date - Continue production - Check setting on moulded part
To screw in adjustable insert: <ul style="list-style-type: none"> <li>• Turn clockwise</li> <li>• Max. to end position</li> <li>• Tenses automatically</li> <li>• Tensioning range 3 – 5 turns</li> </ul>	To turn adjustable insert: <ul style="list-style-type: none"> <li>• Turn clockwise or counter clockwise</li> <li>• Set desired position</li> <li>• Reclamp if necessary by turning clockwise</li> </ul>	To change adjustable insert: <ul style="list-style-type: none"> <li>• Turn continuously counter clockwise</li> <li>• The adjustable insert will raise</li> <li>• Remove adjustable insert</li> </ul>	

## DATI 5000

Identification stamp with fast-change system  $\varnothing 3 - 16$  mm without height adjustment, with tapered head insert



Dimension table in mm									
D	3	4	5	6	8	10	12	16	mm
d	1,6	2,5	3,1	3,1	4,6	4,6	6,4	8,4	mm

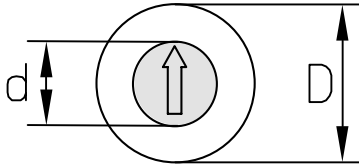


Type	A	B	C	CC
Indicator	<p>Months + year (e.g. dec. 26)</p>	<p>Months (e.g. dec.) connected with type C (displays e.g. dec. 26)</p>	<p>Year + 5 years connected with type B (displays e.g. dec. 26)</p> <p>6 Years</p>	<p>Year + 11 years connected with type B (displays e.g. dec. 26)</p> <p>12 Years</p>
D	Order no.	Order no.	Order no.	Order no.
3	A/5003/Jahr(Year)	B/5003/00	C/5003/Jahr(Year)+5	CC/5003/Jahr(Year)+11
4	A/5004/Jahr(Year)	B/5004/00	C/5004/Jahr(Year)+5	CC/5004/Jahr(Year)+11
5	A/5005/Jahr(Year)	B/5005/00	C/5005/Jahr(Year)+5	CC/5005/Jahr(Year)+11
6	A/5006/Jahr(Year)	B/5006/00	C/5006/Jahr(Year)+5	CC/5006/Jahr(Year)+11
8	A/5008/Jahr(Year)	B/5008/00	C/5008/Jahr(Year)+5	CC/5008/Jahr(Year)+11
10	A/5010/Jahr(Year)	B/5010/00	C/5010/Jahr(Year)+5	CC/5010/Jahr(Year)+11
12	A/5012/Jahr(Year)	B/5012/00	C/5012/Jahr(Year)+5	CC/5012/Jahr(Year)+11
16	A/5016/Jahr(Year)	B/5016/00	C/5016/Jahr(Year)+5	CC/5016/Jahr(Year)+11

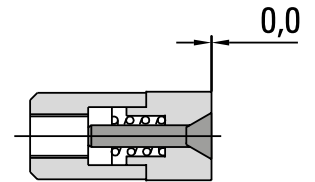
Type	D + E	H + I	L + E	J
Indicator	<p>Week + year (e.g. the combination of the numbers 30 and 5 results in 30 + 5: calendar week 35/26)</p>	<p>Days (e.g. 20 + 9 = 29) connected with type A (displays e.g. 29. dec. 26)</p>	<p>Days + month + year (e.g. 25. may 26)</p> <p>12 x month 01 ... 12</p>	<p>Shift numbers (e.g. 2nd shift)</p>
D	Order no.	Order no.	Order no.	Order no.
3	D+E/5003/Jahr(Year)	H+I/5003/00	L+E/5003/Jahr(Year)	J/5003/00
4	D+E/5004/Jahr(Year)	H+I/5004/00	L+E/5004/Jahr(Year)	J/5004/00
5	D+E/5005/Jahr(Year)	H+I/5005/00	L+E/5005/Jahr(Year)	J/5005/00
6	D+E/5006/Jahr(Year)	H+I/5006/00	L+E/5006/Jahr(Year)	J/5006/00
8	D+E/5008/Jahr(Year)	H+I/5008/00	L+E/5008/Jahr(Year)	J/5008/00
10	D+E/5010/Jahr(Year)	H+I/5010/00	L+E/5010/Jahr(Year)	J/5010/00
12	D+E/5012/Jahr(Year)	H+I/5012/00	L+E/5012/Jahr(Year)	J/5012/00
16	D+E/5016/Jahr(Year)	H+I/5016/00	L+E/5016/Jahr(Year)	J/5016/00

## DATI 5000

Identification stamp with fast-change system  $\varnothing 3 - 16$  mm without height adjustment, with tapered head insert



Dimension table in mm									
D	3	4	5	6	8	10	12	16	mm
d	1,6	2,5	3,1	3,1	4,6	4,6	6,4	8,4	mm

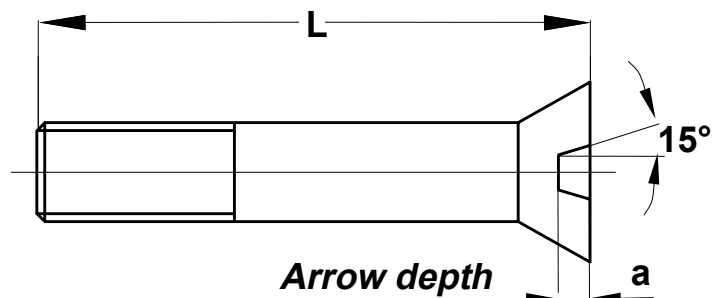
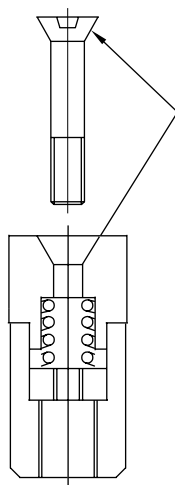
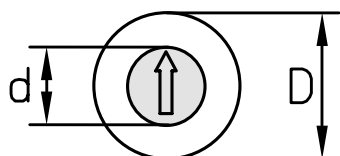


Type	K	M	N	R
Indicator	Quarter + year (e.g. 1. quarter 26)	Identifier letters A – M (type M)	Identifier letters N – Z (type N)	Identification according to customers preference e.g. material identification
D	Order no.	Order no.	Order no.	Order no.
3	K/5003/Jahr(Year)	M/5003/00	N/5003/00	R/5003/Zeichen(Symbol)
4	K/5004/Jahr(Year)	M/5004/00	N/5004/00	R/5004/Zeichen(Symbol)
5	K/5005/Jahr(Year)	M/5005/00	N/5005/00	R/5005/Zeichen(Symbol)
6	K/5006/Jahr(Year)	M/5006/00	N/5006/00	R/5006/Zeichen(Symbol)
8	K/5008/Jahr(Year)	M/5008/00	N/5008/00	R/5008/Zeichen(Symbol)
10	K/5010/Jahr(Year)	M/5010/00	N/5010/00	R/5010/Zeichen(Symbol)
12	K/5012/Jahr(Year)	M/5012/00	N/5012/00	R/5012/Zeichen(Symbol)
16	K/5016/Jahr(Year)	M/5016/00	N/5016/00	R/5016/Zeichen(Symbol)

Type	T	WT	Z
Indicator	Days 1 – 31	Weekdays 1 – 7	without markings
D	Order no.	Order no.	Order no.
3	T/5003/00	WT/5003/00	Z/5003/00
4	T/5004/00	WT/5004/00	Z/5004/00
5	T/5005/00	WT/5005/00	Z/5005/00
6	T/5006/00	WT/5006/00	Z/5006/00
8	T/5008/00	WT/5008/00	Z/5008/00
10	T/5010/00	WT/5010/00	Z/5010/00
12	T/5012/00	WT/5012/00	Z/5012/00
16	T/5016/00	WT/5016/00	Z/5016/00

## DATI 5000

DATI 5000 tapered adjustable inserts



Sealing surface must fit under tension. Re-clamp adjustable insert by turning clockwise.

Material: 1.4034, hardened HRC 56 ± 2 stainless

Dimension table in mm									
D	3	4	5	6	8	10	12	16	mm
d	1,6	2,5	3,1	3,1	4,6	4,6	6,4	8,4	mm
L	9	10,5	13	13	14	14	17	23	mm
a	0,20	0,40	0,50	0,50	0,60	0,60	0,80	0,80	mm

### Tapered adjustable inserts for DATI 5000

Type	F	G	O
Indicator	Adjustable inserts with arrow + year	Adjustable inserts with arrow without year	Adjustable inserts according to customer preference with numbers and / or letters
D	Order no.	Order no.	Order no.
3	F/5003/Jahr(Year)	G/5003/00	O/5003/Zeichen(Symbol)
4	F/5004/Jahr(Year)	G/5004/00	O/5004/Zeichen(Symbol)
5	F/5005/Jahr(Year)	G/5005/00	O/5005/Zeichen(Symbol)
6	F/5006/Jahr(Year)	G/5006/00	O/5006/Zeichen(Symbol)
8	F/5008/Jahr(Year)	G/5008/00	O/5008/Zeichen(Symbol)
10	F/5010/Jahr(Year)	G/5010/00	O/5010/Zeichen(Symbol)
12	F/5012/Jahr(Year)	G/5012/00	O/5012/Zeichen(Symbol)
16	F/5016/Jahr(Year)	G/5016/00	O/5016/Zeichen(Symbol)

