

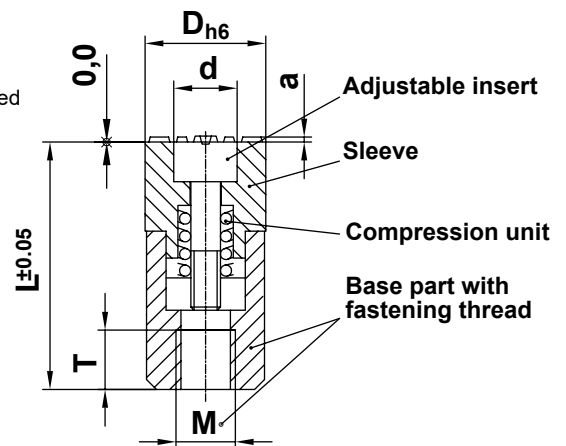
DATI 6000

Identification stamp with fast-change system $\varnothing 4 - 16$ mm without height adjustment, raised engraving

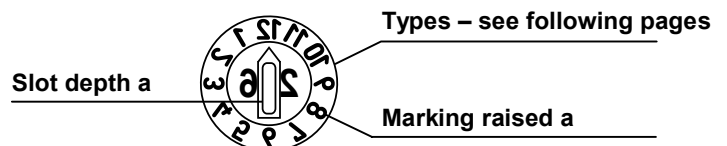
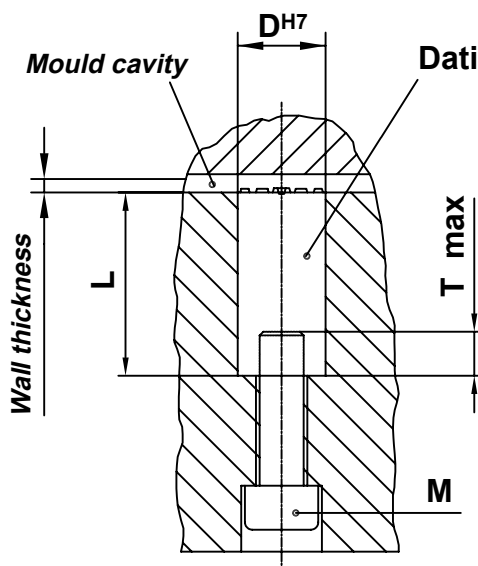
DATI®-DESCRIPTION



- Sleeve with raised identification
- Adjustable insert with an indicator arrow. The recessed screw slot with raised indicator arrow is used for adjustment and to change the insert
- Fastening thread
- Compression unit, for the infinite locking of the adjustable insert
- Material for sleeve and adjustable insert: 1.4034, hardened HRC 56 ± 2 stainless
- Inscription laterally reversed and raised



Installation



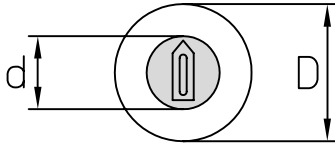
Dimension table in mm					
D	d	L	M	T	a
4	2,5	13,80	2	3	0,20
5	3,1	16,75	3	3	0,25
6	3,1	16,75	3	3	0,25
8	4,6	19,7	4	4	0,3
10	4,6	19,7	5	4	0,3
12	6,4	24,7	6	6	0,3
16	8,4	32,7	8	8	0,3

FAST CHANGING SYSTEM

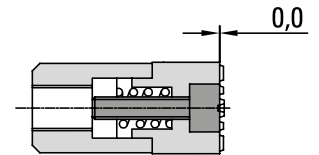
FAST CHANGING SYSTEM			At the end of each year, the adjustable insert with year is changed in a matter of seconds by removing and screwing it in. - Stop production, open mould - Change adjustable insert, set date - Continue production - Check setting on moulded part
<p>To screw in adjustable insert:</p> <ul style="list-style-type: none"> • Turn clockwise • Max. to end position • Tenses automatically • Tensioning range 3 – 5 turns 	<p>To turn adjustable insert:</p> <ul style="list-style-type: none"> • Turn clockwise or counter clockwise • Set desired position • Reclamp if necessary by turning clockwise 	<p>To change adjustable insert:</p> <ul style="list-style-type: none"> • Turn continuously counter clockwise • The adjustable insert will raise • Remove adjustable insert 	

DATI 6000

Identification stamp with fast-change system Ø 4 – 16 mm without height adjustment, raised engraving



Dimension table in mm								
D	4	5	6	8	10	12	16	mm
d	2,5	3,1	3,1	4,6	4,6	6,4	8,4	mm

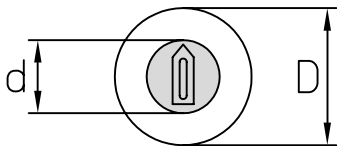


Type	A	B	C	CC
Indicator				
D	Order no.	Order no.	Order no.	Order no.
4	A/6004/Jahr(Year)	B/6004/00	C/6004/Jahr(Year)+5	CC/6004/Jahr(Year)+11
5	A/6005/Jahr(Year)	B/6005/00	C/6005/Jahr(Year)+5	CC/6005/Jahr(Year)+11
6	A/6006/Jahr(Year)	B/6006/00	C/6006/Jahr(Year)+5	CC/6006/Jahr(Year)+11
8	A/6008/Jahr(Year)	B/6008/00	C/6008/Jahr(Year)+5	CC/6008/Jahr(Year)+11
10	A/6010/Jahr(Year)	B/6010/00	C/6010/Jahr(Year)+5	CC/6010/Jahr(Year)+11
12	A/6012/Jahr(Year)	B/6012/00	C/6012/Jahr(Year)+5	CC/6012/Jahr(Year)+11
16	A/6016/Jahr(Year)	B/6016/00	C/6016/Jahr(Year)+5	CC/6016/Jahr(Year)+11

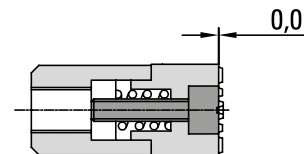
Type	D + E	H + I	L + E	J
Indicator				
D	Order no.	Order no.	Order no.	Order no.
4	D+E/6004/Jahr(Year)	H+I/6004/00	L+E/6004/Jahr(Year)	J/6004/00
5	D+E/6005/Jahr(Year)	H+I/6005/00	L+E/6005/Jahr(Year)	J/6005/00
6	D+E/6006/Jahr(Year)	H+I/6006/00	L+E/6006/Jahr(Year)	J/6006/00
8	D+E/6008/Jahr(Year)	H+I/6008/00	L+E/6008/Jahr(Year)	J/6008/00
10	D+E/6010/Jahr(Year)	H+I/6010/00	L+E/6010/Jahr(Year)	J/6010/00
12	D+E/6012/Jahr(Year)	H+I/6012/00	L+E/6012/Jahr(Year)	J/6012/00
16	D+E/6016/Jahr(Year)	H+I/6016/00	L+E/6016/Jahr(Year)	J/6016/00

DATI 6000

Identification stamp with fast-change system Ø 4 – 16 mm without height adjustment, raised engraving



Dimension table in mm								
D	4	5	6	8	10	12	16	mm
d	2,5	3,1	3,1	4,6	4,6	6,4	8,4	mm

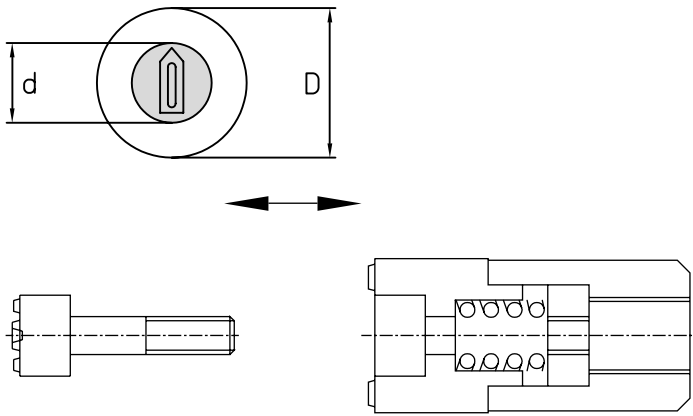


Type	K	M	N	R
Indicator				
D	Order no.	Order no.	Order no.	Order no.
4	K/6004/Jahr(Year)	M/6004/00	N/6004/00	R/6004/Zeichen(Symbol)
5	K/6005/Jahr(Year)	M/6005/00	N/6005/00	R/6005/Zeichen(Symbol)
6	K/6006/Jahr(Year)	M/6006/00	N/6006/00	R/6006/Zeichen(Symbol)
8	K/6008/Jahr(Year)	M/6008/00	N/6008/00	R/6008/Zeichen(Symbol)
10	K/6010/Jahr(Year)	M/6010/00	N/6010/00	R/6010/Zeichen(Symbol)
12	K/6012/Jahr(Year)	M/6012/00	N/6012/00	R/6012/Zeichen(Symbol)
16	K/6016/Jahr(Year)	M/6016/00	N/6016/00	R/6016/Zeichen(Symbol)

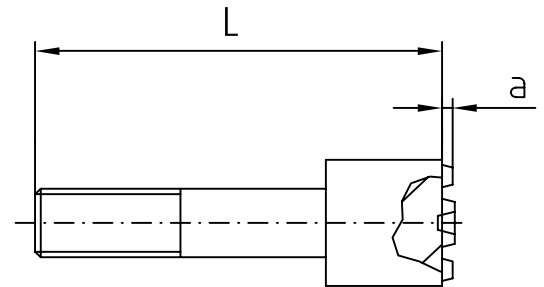
Type	T	WT	Z
Indicator			
D	Order no.	Order no.	Order no.
4	T/6004/00	WT/6004/00	Z/6004/00
5	T/6005/00	WT/6005/00	Z/6005/00
6	T/6006/00	WT/6006/00	Z/6006/00
8	T/6008/00	WT/6008/00	Z/6008/00
10	T/6010/00	WT/6010/00	Z/6010/00
12	T/6012/00	WT/6012/00	Z/6012/00
16	T/6016/00	WT/6016/00	Z/6016/00

DATI 6000

DATI 6000 adjustable inserts



Adjustable insert must fit under tension. Re-clamp by turning clockwise.



Material: 1.4034, hardened HRC 56 ± 2 stainless

Dimension table in mm								
D	4	5	6	8	10	12	16	mm
d	2,5	3,1	3,1	4,6	4,6	6,4	8,4	mm
l	10,30	12,75	12,75	13,7	13,7	16,7	22,7	mm
a	0,20	0,25	0,25	0,3	0,3	0,3	0,3	mm

Adjustable inserts for DATI 6000

Type	F	G	O
Indicator	Adjustable inserts with arrow + year	Adjustable inserts with arrow without year	Adjustable inserts according to customer preference with numbers and / or letters
D	Order no.	Order no.	Order no.
4	F/6004/Jahr(Year)	G/6004/00	O/6004/Zeichen(Symbol)
5	F/6005/Jahr(Year)	G/6005/00	O/6005/Zeichen(Symbol)
6	F/6006/Jahr(Year)	G/6006/00	O/6006/Zeichen(Symbol)
8	F/6008/Jahr(Year)	G/6008/00	O/6008/Zeichen(Symbol)
10	F/6010/Jahr(Year)	G/6010/00	O/6010/Zeichen(Symbol)
12	F/6012/Jahr(Year)	G/6012/00	O/6012/Zeichen(Symbol)
16	F/6016/Jahr(Year)	G/6016/00	O/6016/Zeichen(Symbol)

