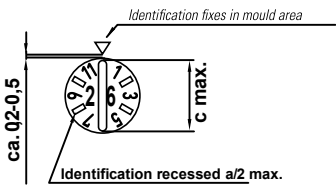
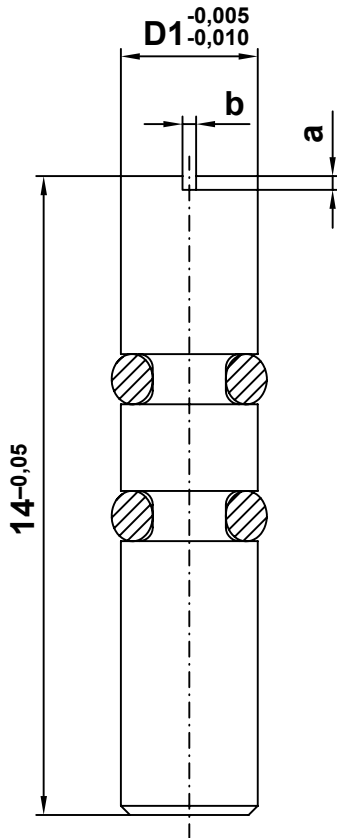


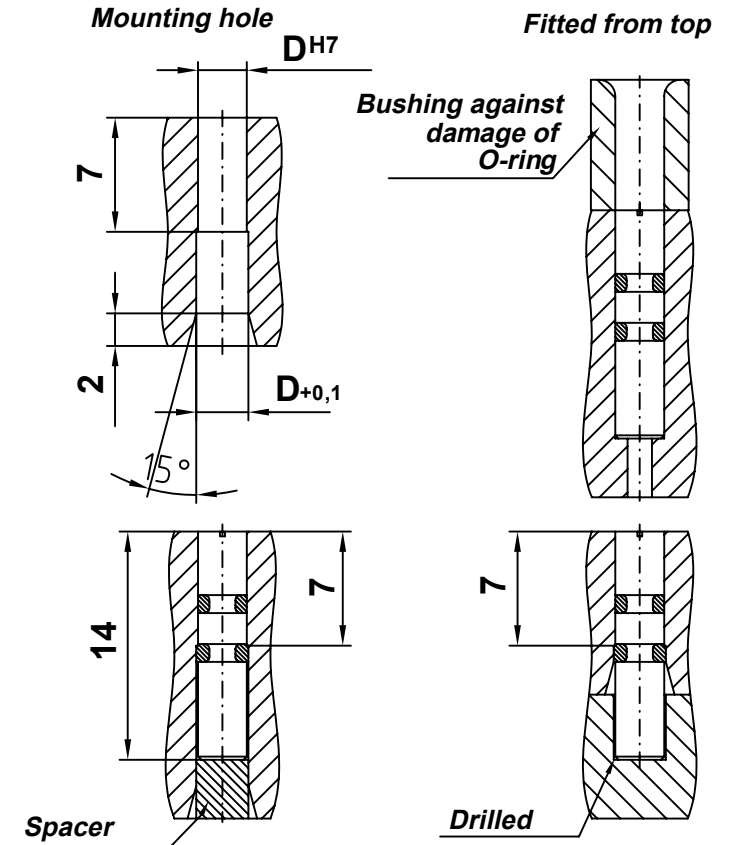
DATI 8000

Identification stamp with O-ring fastening into $\varnothing 2 - 4$ mm

DATI®-DESCRIPTION



Installation examples



Material: 1.4034, hardend HRC 56 +/- 2

Dimension table in mm			
D	a	b	C
2	0,2	0,2	1,8
2,5	0,25	0,25	2,3
3	0,3	0,3	2,8
4	0,3	0,3	3,8

Electrode for the arrow marking: Page 80

Type	A	B	C
Indicator	Months + year (e.g. dec. 26)	Months (e.g. december.) connected with type C (displays e.g. dec. 26)	Year + 3 years connected with type B (displays e.g. dec. 26)
D	Order no.	Order no.	Order no.
2	A/8002/Jahr(Year)*	B/8002/00*	C/8002/Jahr(Year)+3
2,5	A/8002,5/Jahr(Year)*	B/8002,5/00*	C/8002,5/Jahr(Year)+3
3	A/8003/Jahr(Year)	B/8003/00	C/8003/Jahr(Year)+3
4	A/8004/Jahr(Year)	B/8004/00	C/8004/Jahr(Year)+3

$\varnothing 2$ and 2,5 only with month 1 and 7