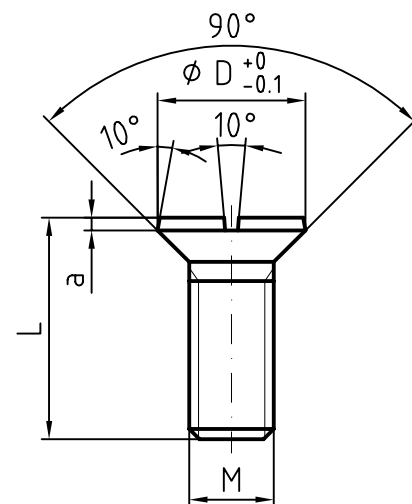


## DATI SK-90

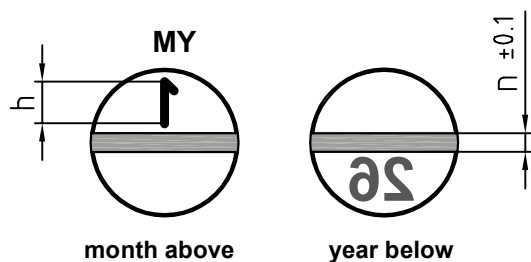
Identification screws for diecasting and injection moulding

### DATI®-DESCRIPTION

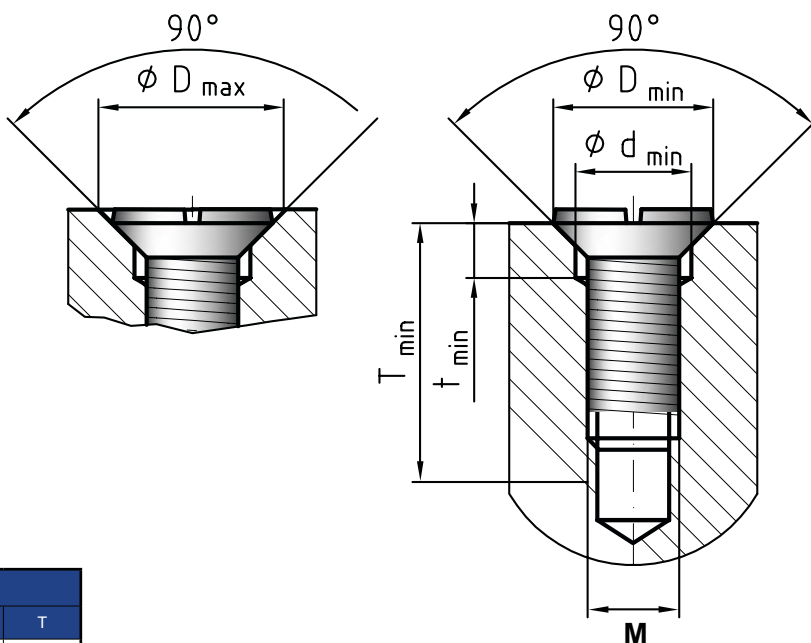
- Counter sunk 90°
- Screw slot persistent
- Material: hat resistant steel 1.2343 hardened HRC 50 ± 2
- Inscription: laterally reversed, immersed 0,3 mm
- Diameter 7 and 10 mm
- Single order or as kit



### Identification



### Installation



Dimension table in mm

D	L	M	h	n	a	d	t	T
7	10,5	4	2	0,7	0,6	4,2	3	12
10	14	6	3	1	1	6,2	4	15

### ORDER NUMBER AND PRICE

size	month 1 – 12 single	year	kit = 12 x month + 1 x year
D7	SK 07-90-M (specify month)	SK 07-90-Y (specify year)	SK 07-90-S (specify year)
D10	SK 10-90-M (specify month)	SK 10-90-Y (specify year)	SK 10-90-S (specify year)

## DATI SK-90

Identification screws for diecasting and injection moulding

An anual stock of bolts used each month



Comparison of bolts used each month or each year



Comparison of identification screws for one month and for the whole year

