

## H SERIES

### H 1000



Ordering-Example:

Special Sizes Available On Request.

ISO 11901 - 1	VDI 3003 Blatt 4	B2 4008 (BMW)	075.90.65 (FCA)
39D 838 (VW)			

SW

**OSAS + OSM**

OVER STROKE  
ACTIVE  
SAFETY

+

OVER STROKE  
MARKER

**ACTIVE SAFETY**

OSAS

USAS

OPAS

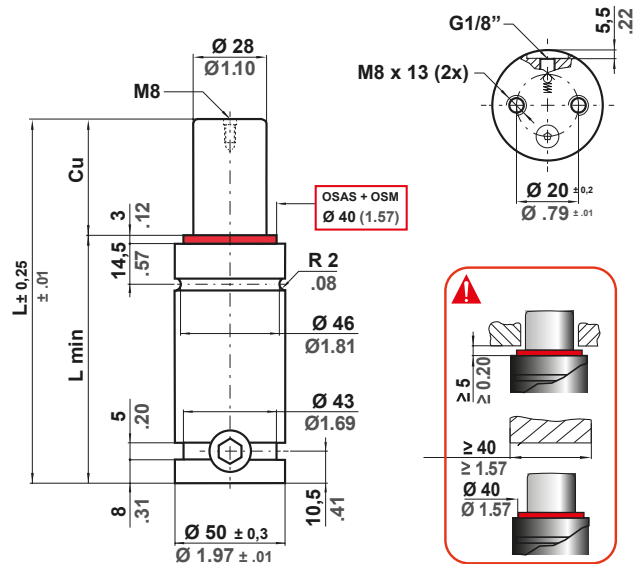
The new code will be supplied only when the old will be out of stock

\*  $F_{1i}$  =

Isothermal  
end force  
at 100% Cu

\*\*  $F_{1p}$  =

Polytropic  
end force  
at 100% Cu



N2	0 - 80 °C 32 - 176 °F	$\Delta P$ ± 0.33 %/°C	<b>P max</b> 150 bar 2175 psi	<b>P min</b> 20 bar 290 psi	<b>S</b> 6,15 cm <sup>2</sup> 0.953 in <sup>2</sup>	<b>SPM</b> ~ 15 - 100 (at 20°C)	<b>Max Speed</b> 1,8 m/s 70.8 in/s	<b>Maintenance kit</b> 39BMH01000D
----	--------------------------	---------------------------	-------------------------------------	-----------------------------------	-----------------------------------------------------------	---------------------------------------	------------------------------------------	---------------------------------------

CODE PHASING OUT from 04/2021	NEW	Cu		L		L min		F0 Initial force		F1i End force *		F1p End force **		V0		PED 2014/68/EU			
		mm	inch	mm	inch	mm	inch	daN	lb	daN	lb	daN	lb	cm <sup>3</sup>	in <sup>3</sup>		~Kg	~lb	
H 1000 - 013 - D	◆ H 1000 - 013 - E	13	0.50	120,7	4.74	107,7	4.24	± 5% 150 bar 2175 psi  + 20 °C +68 °F	920	2068	1201	2701	1371	3082	40	2.47	1,21	2,67	✓
-	■ H 1000 - 016 - E	16	0.63	127	5.00	111	4.37				1237	2781	1425	3204	45,3	2.76	1,25	2.76	✓
H 1000 - 025 - D	H 1000 - 025 - E	25	0.98	145	5.71	120	4.72				1324	2976	1559	3505	59	3.60	1,32	2.91	✓
H 1000 - 038 - D	H 1000 - 038 - E	38	1.50	171	6.73	133	5.24				1405	3159	1687	3793	79	4.81	1,43	3.15	✓
H 1000 - 050 - D	H 1000 - 050 - E	50	1.97	195	7.68	145	5.71				1455	3271	1767	3973	97	5.92	1,53	3.37	✓
H 1000 - 063 - D	H 1000 - 063 - E	63	2.48	221	8.74	158	6.22				1493	3357	1830	4113	117	7.13	1,64	3.62	✓
H 1000 - 075 - D	H 1000 - 075 - E	75	2.95	245	9.65	170	6.69				1520	3417	1873	4210	135	8.24	1,74	3.84	✓
H 1000 - 080 - D	H 1000 - 080 - E	80	3.15	255	10.04	175	6.89				1529	3438	1888	4244	143	8.70	1,78	3.92	✓
H 1000 - 100 - D	H 1000 - 100 - E	100	3.94	295	11.61	195	7.68				1559	3504	1937	4354	173	10.56	1,96	4.32	✓
H 1000 - 125 - D	H 1000 - 125 - E	125	4.92	345	13.58	220	8.66				1585	3562	1979	4450	211	12.88	2,17	4.78	✓
H 1000 - 150 - D	H 1000 - 150 - E	150	5.91	295	15.55	245	9.65				1603	3604	2010	4519	249	15.20	2,38	5.25	✓
H 1000 - 160 - D	H 1000 - 160 - E	160	6.30	415	16.34	255	10.04				1609	3617	2020	4541	264	16.13	2,46	5.42	✓
H 1000 - 175 - D	H 1000 - 175 - E	175	6.89	445	17.52	270	10.63				1617	3635	2033	4570	287	17.52	2,59	5.71	✓
H 1000 - 200 - D	H 1000 - 200 - E	200	7.87	495	19.49	295	11.61				1627	3659	2051	4610	325	19.84	2,79	6.15	✓
H 1000 - 250 - D	H 1000 - 250 - E	250	9.84	595	23.43	345	13.58				1643	3694	2077	4669	401	24.48	3,21	7.08	✓
H 1000 - 300 - D	H 1000 - 300 - E	300	11.81	695	27.36	395	15.55				1654	3718	2095	4710	477	29.13	3,63	8.00	✓

◆ Disposable

