

## H SERIES

### H 300



Ordering-Example:

Special Sizes Available On Request.

SW

OSAS + OSM

OVER STROKE  
= ACTIVE SAFETY +  
OVER STROKE  
MARKER

**ACTIVE SAFETY**

OSAS

USAS

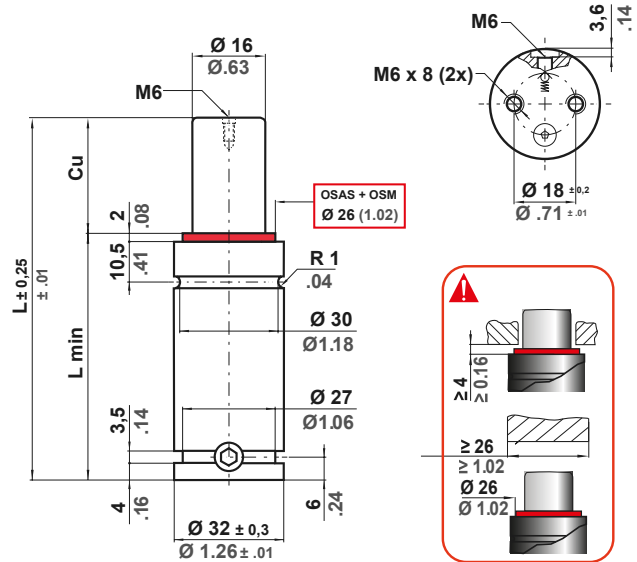
OPAS

The new code will be supplied only when the old will be out of stock

**easy**  
MANIFOLD

\*  $F_{1i}$  =  
Isothermal  
end force  
at 100% Cu

\*\*  $F_{1p}$  =  
Polytrophic  
end force  
at 100% Cu



N2	 0 - 80 °C 32 - 176 °F	$\Delta P$ ± 0.33 %/°C	<b>P max</b> 150 bar 2175 psi	<b>P min</b> 20 bar 290 psi	<b>S</b> 2.01 cm <sup>2</sup> 0.312 in <sup>2</sup>	<b>SPM</b> ~ 30 - 100 (at 20°C)	<b>Max Speed</b> 1.8 m/s 70.8 in/s	<b>Maintenance kit</b> 39BMH00300C
----	------------------------------	---------------------------	-------------------------------------	-----------------------------------	---	---------------------------------------	--	---------------------------------------

CODE PHASING OUT from 04/2021	NEW	Cu		L		L min		F0 Initial force		F1i End force *		F1p End force **		V0		PED 2014/68/EU	
		mm	inch	mm	inch	mm	inch	daN	lb	daN	lb	daN	lb	cm <sup>3</sup>	in <sup>3</sup>		~Kg
H 300 - 010 - C	◆ H 300 - 010 - D	10	0.39	70	2.76	60	2.36	300    674 ± 5% 150 bar 2175 psi + 20 °C +68 °F	372	837	418	939	12,4	0.76	0,22	0.49	✓
H 300 - 013 - C	H 300 - 013 - D	13	0.51	75,7	2.98	62,7	2.47		386	867	437	983	14,0	0.85	0,23	0.51	✓
H 300 - 016 - C	H 300 - 016 - D	16	0.63	82	3.23	66	2.60		394	887	451	1013	16,0	0.98	0,24	0.53	✓
H 300 - 025 - C	H 300 - 025 - D	25	0.98	100	3.94	75	2.95		416	934	483	1086	21,3	1.30	0,26	0.57	✓
H 300 - 038 - C	H 300 - 038 - D	38	1.50	126	4.96	88	3.46		434	976	512	1150	29,0	1.77	0,31	0.68	✓
H 300 - 050 - C	H 300 - 050 - D	50	1.97	150	5.91	100	3.94		445	999	528	1188	36,1	2.20	0,35	0.77	✓
H 300 - 063 - C	H 300 - 063 - D	63	2.48	176,5	6.95	113,5	4.47		451	1014	539	1212	44,1	2.69	0,39	0.86	✓
H 300 - 080 - C	H 300 - 080 - D	80	3.15	210	8.27	130	5.12		460	1033	552	1242	53,9	3.29	0,44	0.97	✓
H 300 - 100 - C	H 300 - 100 - D	100	3.94	250	9.84	150	5.91		465	1046	562	1262	65,8	4.02	0,51	1.12	✓
H 300 - 125 - C	H 300 - 125 - D	125	4.92	300	11.81	175	6.89	476	1070	579	1301	78,9	4.81	0,59	1.30	✓	

◆ Disposable

