

H SERIES

H 6600



Ordering-Example:

Special Sizes Available On Request.

ISO 11901 - 1	VDI 3003 Blatt 4	B2 4008 (BMW)	075.90.65 (FCA)
39D 838 (VW)			



OSAS + OSM = OVER STROKE ACTIVE SAFETY + OVER STROKE SAFETY MARKER

ACTIVE SAFETY

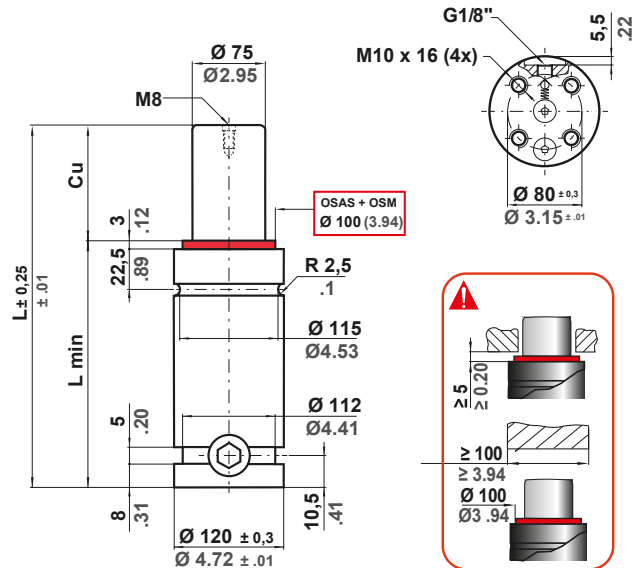


The new code will be supplied only when the old will be out of stock



* F_{1i} = Isothermal end force at 100% Cu

** F_{1p} = Polytrophic end force at 100% Cu



N2	0 - 80 °C 32 - 176 °F	ΔP ± 0,33 %/°C	P max 150 bar 2175 psi	P min 20 bar 290 psi	S 44,18 cm ² 6.848 in ²	SPM ~ 15 - 100 (at 20°C)	Max Speed 1,8 m/s 70.8 in/s	Maintenance kit 39BMH06600DH
----	--------------------------	---------------------------	-------------------------------------	-----------------------------------	--	---------------------------------------	--	--

CODE PHASING OUT from 04/2021	NEW	Cu		L		L min		F0 Initial force		F1i End force *		F1p End force **		V0		PED 2014/68/EU			
		mm	inch	mm	inch	mm	inch	daN	lb	daN	lb	daN	lb	cm ²	in ²	~Kg	~lb	✓	
H 6600 - 025 - D	H 6600 - 025 - E	25	0.98	190	7.48	165	6.50	± 5% 150 bar 2175 psi + 20 °C +68 °F	6630	14904	8646	19437	9874	22198	551	33.65	10,35	22.82	✓
H 6600 - 038 - D	H 6600 - 038 - E	38	1.50	216	8.50	178	7.01				9243	20779	10789	24255	688	42.00	10,89	24.01	✓
H 6600 - 050 - D	H 6600 - 050 - E	50	1.97	240	9.45	190	7.48				9656	21708	11434	25704	815	49.70	11,37	25.07	✓
H 6600 - 063 - D	H 6600 - 063 - E	63	2.48	266	10.47	203	7.99				10004	22490	11984	26941	951	58.05	11,93	26.30	✓
H 6600 - 075 - D	H 6600 - 075 - E	75	2.95	290	11.42	215	8.46				10261	23067	12394	27863	1078	65.76	12,39	27.32	✓
H 6600 - 080 - D	H 6600 - 080 - E	80	3.15	300	11.81	220	8.66				10354	23276	12543	28199	1130	68.98	12,60	27.78	✓
H 6600 - 100 - D	H 6600 - 100 - E	100	3.94	340	13.39	240	9.45				10663	23972	13044	29324	1341	81.82	13,30	29.32	✓
H 6600 - 125 - D	H 6600 - 125 - E	125	4.92	390	15.35	265	10.43				10950	24617	13512	30377	1604	97.88	14,33	31.59	✓
H 6600 - 150 - D	H 6600 - 150 - E	150	5.91	440	17.32	290	11.42				11166	25101	13866	31171	1867	113.93	15,35	33.84	✓
H 6600 - 160 - D	H 6600 - 160 - E	160	6.30	460	18.11	300	11.81				11237	25262	13984	31437	1972	120.36	15,75	34.72	✓
H 6600 - 175 - D	H 6600 - 175 - E	175	6.89	490	19.29	315	12.40	11333	25477	14142	31793	2130	129.99	16,36	36.07	✓			
H 6600 - 200 - D	H 6600 - 200 - E	200	7.87	540	21.26	340	13.39	11466	25777	14364	32291	2393	146.05	17,38	38.32	✓			
H 6600 - 250 - D	H 6600 - 250 - E	250	9.84	640	25.20	390	15.35	11667	26228	14698	33042	2920	178.16	19,42	42.81	✓			
H 6600 - 300 - D	H 6600 - 300 - E	300	11.81	740	29.13	440	17.32	11846	26630	14998	33718	3432	209.42	21,57	47.55	✓			

