

## KE SERIES ■

KE 1000



Ordering-Example:

Special Sizes Available On Request.



**ACTIVE SAFETY**



OSAS



USAS



OPAS



SKUDO

The new code will be supplied only when the old will be out of stock

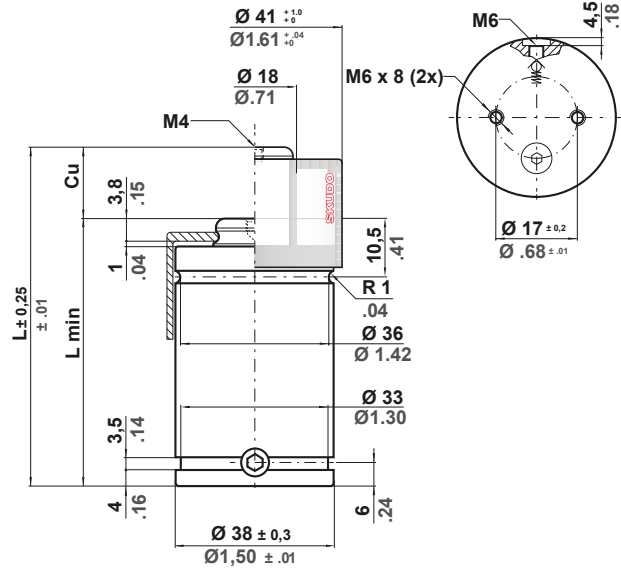
**easu**  
MULTIPOSE

\*  $F_{1i}$  =

Isothermal end force at 100% Cu

\*\*  $F_{1p}$  =

Polytropic end force at 100% Cu



		0 - 80 °C 32 - 176 °F	$\Delta P$ ± 0.33 %/°C	<b>P max</b> 150 bar 2175 psi	<b>P min</b> 20 bar 290 psi	<b>S</b> 7.07 cm <sup>2</sup> 1.096 in <sup>2</sup>	<b>SPM</b> ~ 50 - 100 (at 20°C)	<b>Max Speed</b> 0.8 m/s 31.5 in/s	<b>Maintenance kit</b> 39BMKE01000B
--	--	--------------------------	---------------------------	-------------------------------------	-----------------------------------	---	---------------------------------------	--	--

CODE	Cu		L		L min		F0 Initial force		F1i End force *		F1p End force **		V0		PED 2014/68/EU		
	mm	inch	mm	inch	mm	inch	daN	lb	daN	lb	daN	lb	cm <sup>3</sup>	in <sup>3</sup>	~Kg	~lb	✓
◆ KE 1000 - 006 - B	6	0.24	61	2.40	55	2.17	1060	2383	1936	4351	2468	5547	10.7	0.65	0.33	0.72	✓
KE 1000 - 010 - B	10	0.39	78	3.07	68	2.68	± 5% 150 bar 2175 psi  +20 °C +68 °F	1851	4160	2325	5226	18.9	1.15	0.38	0.84	✓	
KE 1000 - 016 - B	16	0.63	100	3.94	84	3.31		1824	4100	2280	5126	30.9	1.89	0.44	0.97	✓	
KE 1000 - 025 - B	25	0.98	135	5.31	110	4.33		1775	3990	2199	4944	50.3	3.07	0.53	1.17	✓	
KE 1000 - 032 - B	32	1.26	167	6.57	135	5.31		1704	3832	2084	4686	68.8	4.20	0.63	1.39	✓	
KE 1000 - 040 - B	40	1.57	195	7.68	155	6.10		1730	3890	2126	4780	83.8	5.11	0.70	1.54	✓	
KE 1000 - 050 - B	50	1.97	230	9.06	180	7.09		1753	3940	2163	4862	102.6	6.26	0.79	1.74	✓	

◆ Disposable

