

KE SERIES

KE 18500



Ordering-Example:

Special Sizes Available On Request.

SW

ACTIVE SAFETY

OSAS

The new code will be supplied only when the old will be out of stock

USAS

OPAS

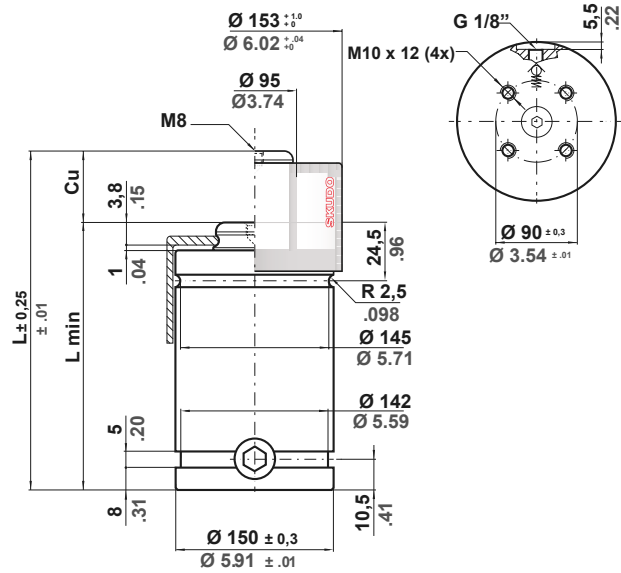
* $F_{1i} =$

Isothermal end force at 100% Cu

** $F_{1p} =$

Polytrophic end force at 100% Cu

SKUDO



N2	$0 - 80 \text{ }^\circ\text{C}$ $32 - 176 \text{ }^\circ\text{F}$	ΔP $\pm 0.33 \text{ } \%/^\circ\text{C}$	P max 150 bar 2175 psi	P min 20 bar 290 psi	S 78.54 cm^2 12.174 in^2	SPM $\sim 50 - 100$ (at 20°C)	Max Speed 0.8 m/s 31.5 in/s	Maintenance kit 39BMKE12000B
-----------	--	---	-------------------------------------	-----------------------------------	---	---	--	--

CODE	Cu		L		L min		F0 Initial force		F1i End force *		F1p End force **		V0		PED 2014/68/EU			
	mm	inch	mm	inch	mm	inch	daN	lb	daN	lb	daN	lb	cm ²	in ²	~Kg	~lb		
KE 18500 - 010 - B	10	0.39	110	4.33	100	3.94	$\pm 5\%$ 150 bar 2175psi +20 °C +68 °F	18410	41386	25880	58181	30288	68090	493	30.08	9,31	20.53	✓
KE 18500 - 016 - B	16	0.63	136	5.35	120	4.72				26201	58903	30788	69214	765	46.68	10,28	22.66	✓
KE 18500 - 025 - B	25	0.98	165	6.50	140	5.51				27771	62431	33260	74771	1050	64.08	11,30	24.91	✓
KE 18500 - 032 - B	32	1.26	197	7.76	165	6.50				27347	61479	32588	73261	1388	84.69	12,51	24.91	✓
KE 18500 - 040 - B	40	1.57	235	9.25	195	7.68				26947	60580	31957	71842	1791	109.31	13,93	30.71	✓
KE 18500 - 050 - B	50	1.97	270	10.63	220	8.66				27505	61833	32838	73823	2142	130.73	15,19	33.49	✓
KE 18500 - 065 - B	65	2.56	323	12.72	258	10.16				28055	63070	33713	75790	2675	163.23	17,10	37.70	✓

