

KE SERIES

KE 3000



Ordering-Example:

Special Sizes Available On Request.

SW

ACTIVE SAFETY

OSAS

USAS

OPAS

SKUDO

The new code will be supplied only when the old will be out of stock

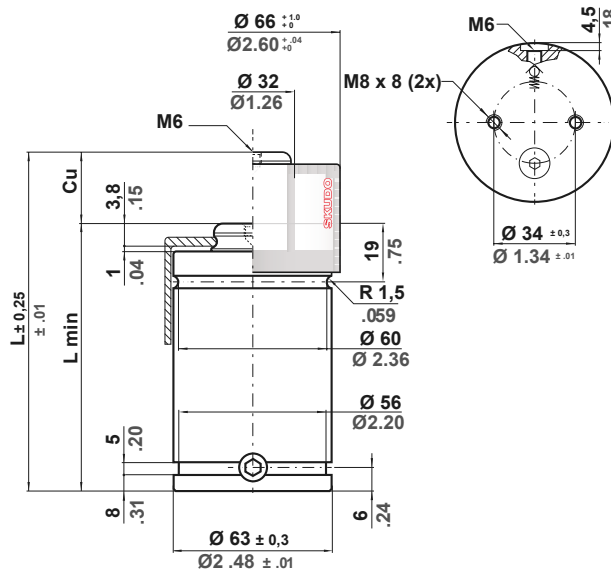
easy
MULTIFOLD

* $F_{1i} =$

Isothermal end force at 100% Cu

** $F_{1p} =$

Polytropic end force at 100% Cu



	0 - 80 °C 32 - 176 °F	ΔP $\pm 0.33 \% / ^\circ\text{C}$	P max 150 bar 2175 psi	P min 20 bar 290 psi	S 19.63 cm ² 3.043 in ²	SPM ~ 80 - 100 (at 20°C)	Max Speed 0.8 m/s 31.5 in/s	Maintenance kit 39BMKE03000B
--	--------------------------	--	-------------------------------------	-----------------------------------	--	---------------------------------------	--	--

CODE	Cu		L		L min		F0 Initial force		F1i End force *		F1p End force **		V0		~Kg		~lb		PED 2014/68/EU
	mm	inch	mm	inch	mm	inch	daN	lb	daN	lb	daN	lb	cm ³	in ³					
KE 3000 - 010 - B	10	0.39	85	3.35	75	2.95	2945	6620	5028	11304	6271	14099	54	3.31	1,23	2.71	✓		
KE 3000 - 016 - B	16	0.63	103	4.06	87	3.43	± 5% 150 bar 2175psi +20 °C +68 °F		5317	11953	6754	15184	80	4.90	1,36	3.00	✓		
KE 3000 - 025 - B	25	0.98	130	5.12	105	4.13		5532	12436	7119	16004	119	7.29	1,55	3.42	✓			
KE 3000 - 032 - B	32	1.26	150	5.91	118	4.65		5691	12794	7392	16618	148	9.02	1,69	3.73	✓			
KE 3000 - 040 - B	40	1.57	175	6.89	135	5.31		5698	12810	7404	16645	185	11.26	1,86	4.10	✓			
KE 3000 - 050 - B	50	1.97	205	8.07	155	6.10		5758	12945	7508	16878	228	13.91	2,07	4.56	✓			
KE 3000 - 065 - B	65	2.56	256	10.08	191	7.52		5616	12626	7263	16328	305	18.61	2,44	5.38	✓			

