

KE SERIES ■

KE 400



Ordering-Example:

Special Sizes Available On Request.



SW
Skudo must be removed

* F_{1i} =

Isothermal end force at 100% Cu

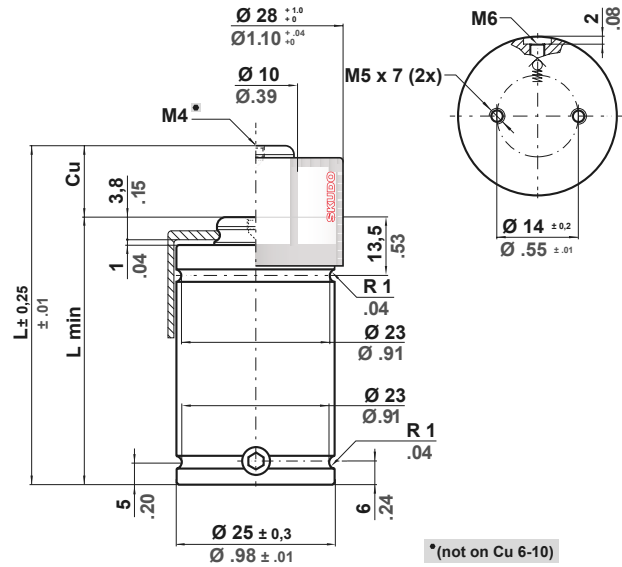
** F_{1p} =

Polytrophic end force at 100% Cu

ACTIVE SAFETY



SKUDO



		0 - 80 °C 32 - 176 °F	ΔP ± 0,33 %/°C	P max 150 bar 2175 psi	P min 20 bar 290 psi	S 2,84 cm ² 0,440 in ²	SPM ~ 50 - 100 (at 20°C)	Max Speed 0,8 m/s 31,5 in/s	Maintenance kit Disposable
--	--	--------------------------	---------------------------	-------------------------------------	-----------------------------------	---	---------------------------------------	--	--------------------------------------

CODE	Cu		L		L min		F0 Initial force		F1i End force *		F1p End force **		V0		PED 2014/68/EU		
	mm	inch	mm	inch	mm	inch	daN	lb	daN	lb	daN	lb	cm ³	in ³	~Kg	~lb	✓
KE 400 - 006 - A	6	0.24	56	2.2	50	1.97	425	955	792	1780	1016	2285	4,2	0.26	0,13	0.29	✓
KE 400 - 010 - A	10	0.39	70	2.76	60	2.36	± 5% 150 bar 2175 psi +20 °C +68 °F		881	1980	1170	2631	6,2	0.38	0,16	0.35	✓
KE 400 - 016 - A	16	0.63	91	3.58	75	2.95			888	1997	1183	2660	9,8	0.60	0,18	0.40	✓
KE 400 - 025 - A	25	0.98	120	4.72	95	3.74			878	1974	1166	2621	15,5	0.95	0,23	0.51	✓
KE 400 - 032 - A	32	1.26	140	5.51	108	4.25			911	2047	1223	2750	19,2	1.17	0,24	0.53	✓
KE 400 - 040 - A	40	1.57	165	6.50	125	4.92			910	2045	1222	2746	24,0	1.46	0,28	0.62	✓
KE 400 - 050 - A	50	1.97	195	7.68	145	5.71			921	2070	1241	2791	29,7	1.81	0,31	0.68	✓

