

## KE SERIES

KE 4700



Ordering-Example:

Special Sizes Available On Request.

SW

**ACTIVE SAFETY**

OSAS

USAS

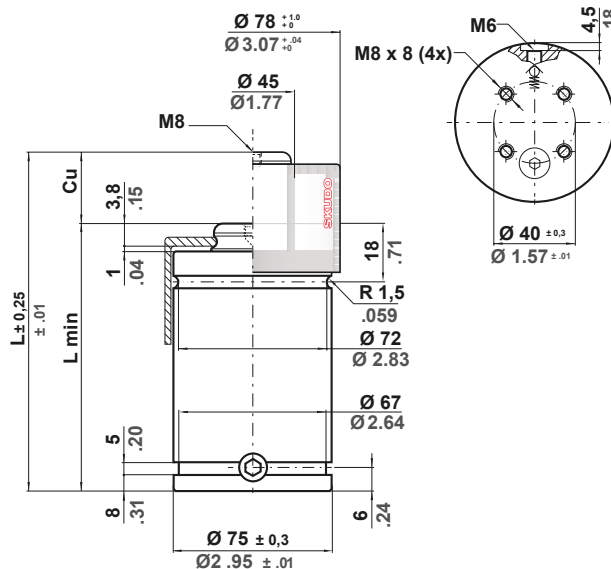
OPAS

SKUDO

The new code will be supplied only when the old will be out of stock

\*  $F_{1i}$  =  
Isothermal  
end force  
at 100% Cu

\*\*  $F_{1p}$  =  
Polytrophic  
end force  
at 100% Cu



	$0 - 80^\circ\text{C}$ $32 - 176^\circ\text{F}$	$\Delta P$ $\pm 0.33\% / ^\circ\text{C}$	<b>P max</b> 150 bar 2175 psi	<b>P min</b> 20 bar 290 psi	<b>S</b> 31.17 cm <sup>2</sup> 4.831 in <sup>2</sup>	<b>SPM</b> ~ 80 - 100 (at 20°C)	<b>Max Speed</b> 0.8 m/s 31.5 in/s	<b>Maintenance kit</b> 39BMKE04700B
--	--	---	-------------------------------------	-----------------------------------	--	---------------------------------------	--	--

CODE	Cu		L		L min		F0 Initial force		F1i End force *		F1p End force **		V0		PED 2014/68/EU		
	mm	inch	mm	inch	mm	inch	daN	lb	daN	lb	daN	lb	cm <sup>3</sup>	in <sup>3</sup>	~Kg	~lb	✓
KE 4700 - 010 - B	10	0.39	80	3.15	70	2.76	4675	10510	8001	17986	9986	22449	86	5.24	1,62	3.57	✓
KE 4700 - 016 - B	16	0.63	106	4.17	90	3.54	± 5% 150 bar 2175psi  +20 °C +68 °F		7460	16771	9100	20458	154	9.37	1,85	4.08	✓
KE 4700 - 025 - B	25	0.98	135	5.31	110	4.33			7775	17478	9613	21611	224	13.68	2,10	4.63	✓
KE 4700 - 032 - B	32	1.26	167	6.57	135	5.31			7444	16734	9613	20398	308	18.82	2,39	5.27	✓
KE 4700 - 040 - B	40	1.57	200	7.87	160	6.30			7358	16541	8935	20086	394	24.02	2,68	5.91	✓
KE 4700 - 050 - B	50	1.97	240	9.45	190	7.48			7323	16464	8879	19962	496	30.28	3,03	6.68	✓
KE 4700 - 065 - B	65	2.56	273	10.75	208	8.19			7924	17813	9858	22162	566	34.53	3,30	7.28	✓

**WARNING REMOVE SKUDO**

Upside down mounting

FC / FCQ fixings

**WARNING REMOVE SKUDO**

FSA - FSD fixings

X min

Cu = 0'0

X min = Cu + 5 mm

