

KE SERIES

KE 7500



Ordering-Example:

Special Sizes Available On Request.



SW

ACTIVE SAFETY



OSAS



USAS



OPAS



SKUDO

The new code will be supplied only when the old will be out of stock

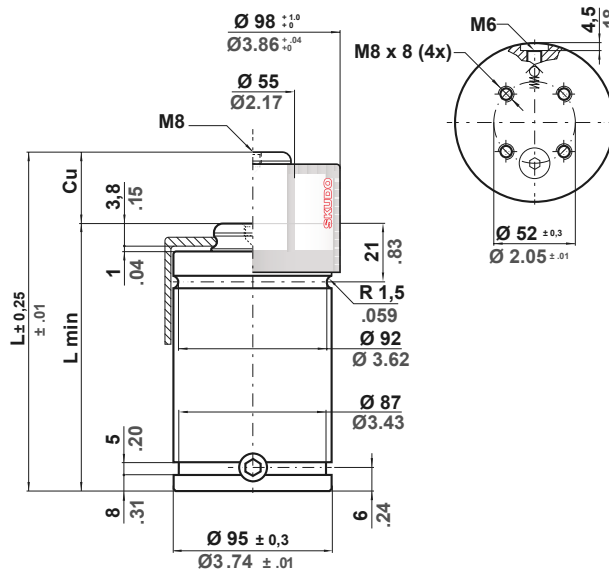


* F_i =

Isothermal end force at 100% Cu

** F_p =

Polytropic end force at 100% Cu



	0 - 80 °C 32 - 176 °F	ΔP ± 0,33 %/°C	P max 150 bar 2175 psi	P min 20 bar 290 psi	S 50,27 cm ² 7.791 in ²	SPM ~ 80 - 100 (at 20°C)	Max Speed 0,8 m/s 31.5 in/s	Maintenance kit 39BMKE07500B
--	--------------------------	---------------------------	-------------------------------------	-----------------------------------	--	---------------------------------------	--	--

CODE	Cu		L		L min		F ₀ Initial force		F _i End force *		F _p End force **		V ₀		~Kg		~lb		PED 2014/68/EU
	mm	inch	mm	inch	mm	inch	daN	lb	daN	lb	daN	lb	cm ³	in ³					
KE 7500 - 010 - B	10	0.39	90	3.54	80	3.15	7540	16950	11818	26568	14332	32220	160	9.75	2,89	6.37	✓		
KE 7500 - 016 - B	16	0.63	116	4.57	100	3.94	± 5% 150 bar 2175psi +20 °C +68 °F		11514	25885	13845	31125	269	16.40	3,26	7.19	✓		
KE 7500 - 025 - B	25	0.98	145	5.71	120	4.72		12127	27263	14833	33345	382	23.29	3,64	8.02	✓			
KE 7500 - 032 - B	32	1.26	182	7.17	150	5.91		11462	25767	13762	30938	542	33.08	4,18	9.22	✓			
KE 7500 - 040 - B	40	1.57	210	8.27	170	6.69		11676	26249	14104	31708	654	39.90	4,56	10.05	✓			
KE 7500 - 050 - B	50	1.97	255	10.04	205	8.07		11486	25822	13801	31025	844	51.47	5,19	11.44	✓			
KE 7500 - 065 - B	65	2.56	279	10.98	214	8.43		12805	28786	15943	35840	910	55.51	5,46	12.40	✓			

