

## LS SERIES

### LS 2400

- 50% VIBRATIONS
- 55% NOISE



Ordering-Example:

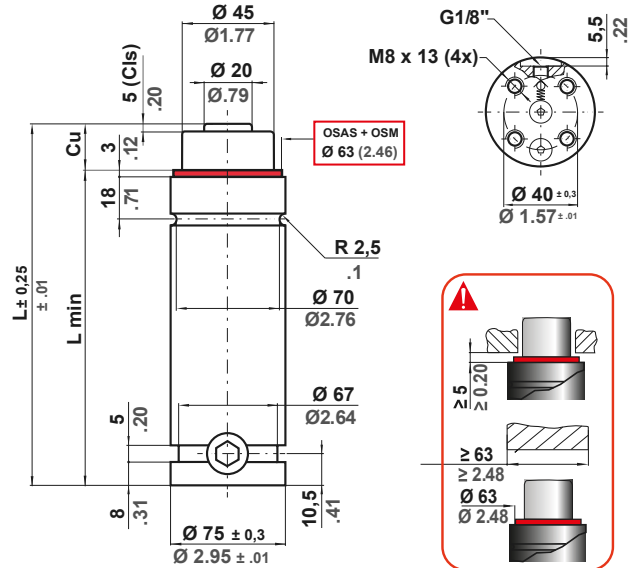
Special Sizes Available On Request.

**ACTIVE SAFETY**

 OSAS  
 USAS  
 OPAS

The new code will be supplied only when the old will be out of stock

\*  $F_{1i}$  = Isothermal end force at 100% Cu  
 \*\*  $F_{1p}$  = Polytrophic end force at 100% Cu



N2	0 - 80 °C 32 - 176 °F	$\Delta P$ ± 0,33 %/°C	<b>P max</b> 150 bar 2175 psi	<b>P min</b> 20 bar 290 psi	<b>S</b> 15,90 cm <sup>2</sup> 2,465 in <sup>2</sup>	<b>SPM</b> ~ 15 - 60 (at 20°C)	<b>Max Speed</b> 1,8 m/s 70,8 in/s	<b>Maintenance kit</b> 39BMLS01500B
----	--------------------------	---------------------------	-------------------------------------	-----------------------------------	--	--------------------------------------	--	--

CODE PHASING OUT from 04/2021	NEW	Cu		L		L min		F0 Initial force		F Cls		F1i End force *		F1p End force **		V0		PED 2014/68/EU		
		mm	inch	mm	inch	mm	inch	daN	lb	daN	lb	daN	lb	daN	lb	cm <sup>3</sup>	in <sup>3</sup>		~Kg	~lb
LS 2400-025-A	◆ LS 2400-025-B	25	0.98	160	6.30	135	5.31					3607	8109	4323	9718	108	6.61	3,55	7.83	✓
LS 2400-038-A	LS 2400-038-B	38	1.50	186	7.32	148	5.83					3836	8624	4692	10548	160	9.73	3,77	8.31	✓
LS 2400-050-A	LS 2400-050-B	50	1.97	210	8.27	160	6.30					3958	8898	4890	10993	207	12.61	3,96	8.73	✓
LS 2400-063-A	LS 2400-063-B	63,5	2.50	237	9.33	173,5	6.83	0	0	2385	5362	4045	9094	5034	11317	260	15.84	4,18	9.22	✓
LS 2400-080-A	LS 2400-080-B	80	3.15	270	10.63	190	7.48	± 5%		± 5%		4116	9253	5152	11582	324	19.80	4,45	9.81	✓
LS 2400-100-A	LS 2400-100-B	100	3.94	310	12.20	210	8.27	150 bar 2175 psi		150 bar 2175 psi		4173	9381	5247	11796	403	24.59	4,80	10.58	✓
LS 2400-125-A	LS 2400-125-B	125	4.92	360	14.17	235	9.25					4221	9489	5326	11973	501	30.58	5,20	11.46	✓
LS 2400-160-A	LS 2400-160-B	160	6.30	430	16.93	270	10.63	+ 20 °C +68 °F		+ 20 °C +68 °F		4263	9584	5396	12131	639	38.98	5,77	12.72	✓
LS 2400-200-A	LS 2400-200-B	200	7.87	510	20.08	310	12.20					4294	9653	5449	12250	796	48.56	6,42	14.15	✓
LS 2400-250-A	LS 2400-250-B	250	9.84	610	24.02	360	14.17					4319	9709	5492	12347	992	60.54	7,24	15.96	✓
LS 2400-300-A	LS 2400-300-B	300	11.81	710	27.95	410	16.14					4336	9748	5521	12412	1188	72.52	8,05	17.75	✓

◆ Disposable

