

LS SERIES

LS 3000

- 50% VIBRATIONS

- 55% NOISE



Ordering-Example:

Special Sizes Available On Request.

ACTIVE SAFETY



OSAS



USAS



OPAS

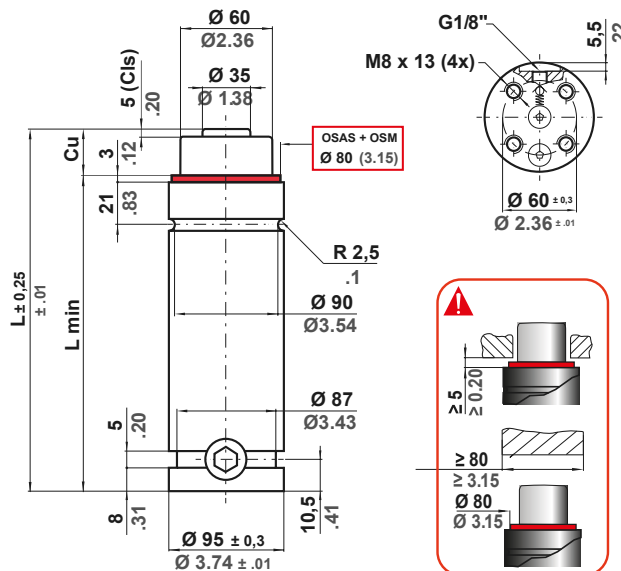
The new code will be supplied only when the old will be out of stock

* F_{1i} =

Isothermal end force at 100% Cu

** F_{1p} =

Polytropic end force at 100% Cu



	0 - 80 °C 32 - 176 °F	ΔP ± 0.33 %/°C	P max 100 bar 1450 psi	P min 20 bar 290 psi	S 28.27 cm ² 4.382 in ²	SPM ~ 15 - 60 (at 20°C)	Max Speed 1.8 m/s 70.8 in/s	Maintenance kit 39BMLS03000B
--	--------------------------	---------------------------	-------------------------------------	-----------------------------------	--	--------------------------------------	--	--

CODE PHASING OUT from 04/2021	NEW	Cu		L		L min		F0 Initial force		F Cls		F1i End force *		F1p End force **		V0		~Kg	~lb	PED 2014/68/EU
		mm	inch	mm	inch	mm	inch	daN	lb	daN	lb	daN	lb	daN	lb	cm ³	in ³			
LS 3000-025-A	◆ LS 3000-025-B	25	0.98	170	6.69	145	5.71					4066	9141	5027	11301	200	12.17	6.02	13.27	✓
LS 3000-038-A	LS 3000-038-B	38	1.50	196	7.72	158	6.22					4373	9831	5586	12558	283	17.27	6.37	14.04	✓
LS 3000-050-A	LS 3000-050-B	50	1.97	220	8.66	170	6.69					4548	10224	5912	13292	360	21.97	6.70	14.77	✓
LS 3000-063-A	LS 3000-063-B	63.5	2.50	247	9.72	183.5	7.22	0	0	2830	6362	4681	10522	6164	13858	447	27.26	7.07	15.59	✓
LS 3000-080-A	LS 3000-080-B	80	3.15	280	11.02	200	7.87	± 5%		± 5%		4792	10772	6378	14338	553	33.73	7.52	16.58	✓
LS 3000-100-A	LS 3000-100-B	100	3.94	320	12.60	220	8.66	100 bar 1450 psi		100 bar 1450 psi		4884	10979	6556	14739	681	41.57	8.07	17.79	✓
LS 3000-125-A	LS 3000-125-B	125	4.92	370	14.57	245	9.65					4959	11149	6704	15071	842	51.40	8.77	19.33	✓
LS 3000-160-A	LS 3000-160-B	160	6.30	440	17.32	280	11.02	+ 20 °C +68 °F		+ 20 °C +68 °F		5032	11312	6846	15391	1067	65.12	9.73	21.45	✓
LS 3000-200-A	LS 3000-200-B	200	7.87	520	20.47	320	12.60					5086	11433	6953	15630	1324	80.80	10.83	23.88	✓
LS 3000-250-A	LS 3000-250-B	250	9.84	620	24.41	370	14.57					5130	11533	7041	15829	1645	100.39	12.20	26.90	✓
LS 3000-300-A	LS 3000-300-B	300	11.81	720	28.35	420	16.54					5161	11602	7102	15965	1966	119.98	13.57	29.92	✓

◆ Disposable

