

LS SERIES

LS 4200

- 50% VIBRATIONS

- 55% NOISE



Ordering-Example:

Special Sizes Available On Request.

ACTIVE SAFETY



OSAS



USAS



OPAS

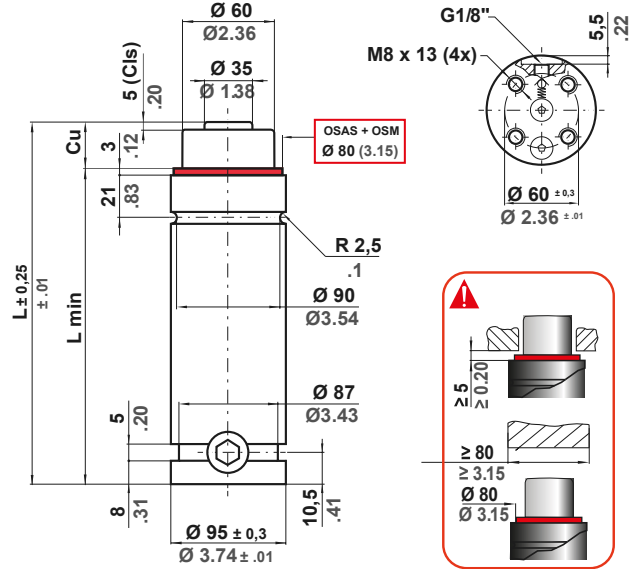
The new code will be supplied only when the old will be out of stock

* F_{1i} =

Isothermal end force at 100% Cu

** F_{1p} =

Polytrophic end force at 100% Cu



	0 - 80 °C 32 - 176 °F	ΔP ± 0.33 %/°C	P max 150 bar 2175 psi	P min 20 bar 290 psi	S 28.27 cm ² 4.382 in ²	SPM ~ 15 - 60 (at 20°C)	Max Speed 1.8 m/s 70.8 in/s	Maintenance kit 39BMLS03000B
--	--------------------------	---------------------------	-------------------------------------	-----------------------------------	--	--------------------------------------	--	--

CODE PHASING OUT from 04/2021	NEW	Cu		L		L min		F0 Initial force		F CIs		F1i End force *		F1p End force **		V0		PED 2014/68/EU		
		mm	inch	mm	inch	mm	inch	daN	lb	daN	lb	daN	lb	daN	lb	cm ³	in ³	~Kg	~lb	✓
LS 4200-025-A	◆ LS 4200-025-B	25	0.98	170	6.69	145	5.71					6306	14176	7517	16898	200	12.17	6.02	13.27	✓
LS 4200-038-A	LS 4200-038-B	38	1.50	196	7.72	158	6.22					6827	15348	8352	18777	283	17.27	6.37	14.04	✓
LS 4200-050-A	LS 4200-050-B	50	1.97	220	8.66	170	6.69					7126	16019	8840	19874	360	21.97	6.70	14.77	✓
LS 4200-063-A	LS 4200-063-B	63.5	2.50	247	9.72	183.5	7.22	0	0	4240	9532	7353	16530	9217	20721	447	27.26	7.07	15.59	✓
LS 4200-080-A	LS 4200-080-B	80	3.15	280	11.02	200	7.87	± 5%	150 bar 2175 psi	± 5%	150 bar 2175 psi	7544	16960	9536	21439	553	33.73	7.52	16.58	✓
LS 4200-100-A	LS 4200-100-B	100	3.94	320	12.60	220	8.66					7703	17316	9803	22039	681	41.57	8.07	17.79	✓
LS 4200-125-A	LS 4200-125-B	125	4.92	370	14.57	245	9.65	+ 20 °C +68 °F	+ 20 °C +68 °F	+ 20 °C +68 °F	+ 20 °C +68 °F	7833	17608	10024	22534	842	51.40	8.77	19.33	✓
LS 4200-160-A	LS 4200-160-B	160	6.30	440	17.32	280	11.02					7957	17889	10236	23013	1067	65.12	9.73	21.45	✓
LS 4200-200-A	LS 4200-200-B	200	7.87	520	20.47	320	12.60	8051	18099	10396	23371	1324	80.80	10.83	23.88	✓				
LS 4200-250-A	LS 4200-250-B	250	9.84	620	24.41	370	14.57	8128	18272	10528	23668	1645	100.39	12.20	26.90	✓				
LS 4200-300-A	LS 4200-300-B	300	11.81	720	28.35	420	16.54	8180	18390	10619	23872	1966	119.98	13.57	29.92	✓				

◆ Disposable

