

LS SERIES

LS 5000

- 50% VIBRATIONS

- 55% NOISE



Ordering-Example:

Special Sizes Available On Request.

ACTIVE SAFETY



OSAS



USAS



OPAS

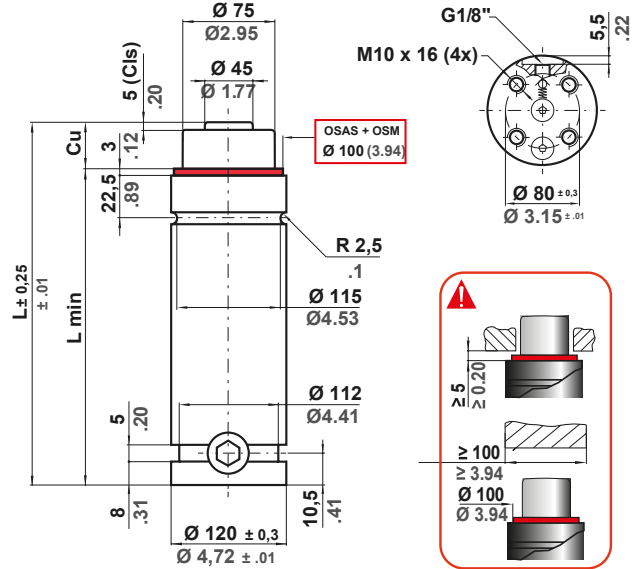
The new code will be supplied only when the old will be out of stock

* F_{1i} =

Isothermal end force at 100% Cu

** F_{1p} =

Polytrophic end force at 100% Cu



	0 - 80 °C 32 - 176 °F	ΔP ± 0.33 %/°C	P max 100 bar 1450 psi	P min 20 bar 290 psi	S 44.18 cm ² 6.848 in ²	SPM ~ 15 - 60 (at 20°C)	Max Speed 1.8 m/s 70.8 in/s	Maintenance kit 39BMLS05000B
--	--------------------------	---------------------------	-------------------------------------	-----------------------------------	--	--------------------------------------	--	--

CODE PHASING OUT from 04/2021	NEW	Cu		L		L min		F0 Initial force		F CIs		F1i End force *		F1p End force **		V0		PED 2014/68/EU		
		mm	inch	mm	inch	mm	inch	daN	lb	daN	lb	daN	lb	daN	lb	cm ³	in ³	~Kg	~lb	✓
LS 5000-025-A	◆ LS 5000-025-B	25	0.98	190	7.48	165	6.50					6021	13536	7267	16336	357	21.80	10,60	26.46	✓
LS 5000-038-A	LS 5000-038-B	38	1.50	216	8.50	178	7.01					6537	14695	8185	18401	483	29.47	12,00	26.46	✓
LS 5000-050-A	LS 5000-050-B	50	1.97	240	9.45	190	7.48					6858	15417	8775	19727	599	36.54	13,20	29.10	✓
LS 5000-063-A	LS 5000-063-B	63,5	2.50	267	10.51	203,5	8.01	0	0	4418	9932	7118	16002	9261	20819	729	44.50	13,60	29.98	✓
LS 5000-080-A	LS 5000-080-B	80	3.15	300	11.81	220	8.66	± 5%	± 5%	100 bar 1450 psi	100 bar 1450 psi	7346	16515	9695	21796	889	54.23	14,10	31.09	✓
LS 5000-100-A	LS 5000-100-B	100	3.94	340	13.39	240	9.45					7544	16959	10075	22650	1082	66.02	15,40	33.95	✓
LS 5000-125-A	LS 5000-125-B	125	4.92	390	15.35	265	10.43	+ 20 °C +68 °F	+ 20 °C +68 °F	100 bar 1450 psi	100 bar 1450 psi	7718	17350	10413	23410	1323	80.76	16,90	37.26	✓
LS 5000-160-A	LS 5000-160-B	160	6.30	460	18.11	300	11.81					7883	17722	10738	24140	1662	101.40	18,70	41.23	✓
LS 5000-200-A	LS 5000-200-B	200	7.87	540	21.26	340	13.39	+ 20 °C +68 °F	+ 20 °C +68 °F	100 bar 1450 psi	100 bar 1450 psi	8009	18006	10989	24704	2048	124.98	21,70	47.84	✓
LS 5000-250-A	LS 5000-250-B	250	9.84	640	25.20	390	15.35					8116	18246	11202	25182	2531	154.46	24,80	54.67	✓
LS 5000-300-A	LS 5000-300-B	300	11.81	740	29.13	440	17.32					8190	18412	11350	25516	3014	183.93	28,00	61.73	✓

◆ Disposable

