

## LS SERIES

LS 6600

- 50% VIBRATIONS  
- 55% NOISE



Ordering-Example:

Special Sizes Available On Request.

**ACTIVE SAFETY**

OSAS

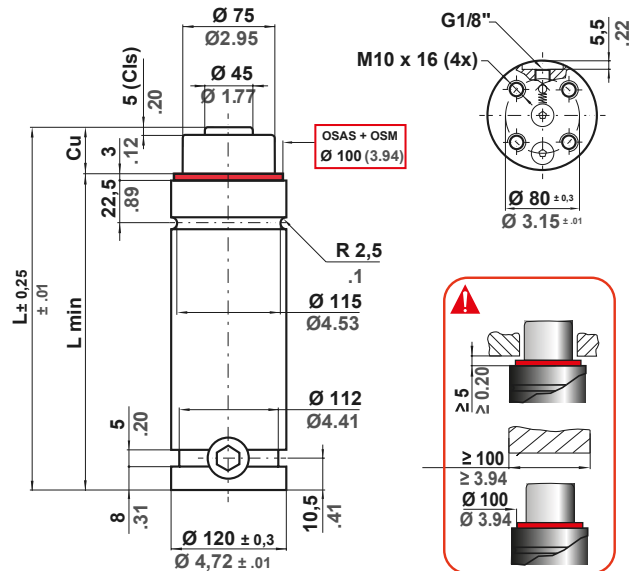
USAS

OPAS

The new code will be supplied only when the old will be out of stock

\*  $F_{1i}$  = Isothermal end force at 100% Cu

\*\*  $F_{1p}$  = Polytrophic end force at 100% Cu



	0 - 80 °C 32 - 176 °F	$\Delta P$ ± 0,33 %/°C	<b>P max</b> 150 bar 2175 psi	<b>P min</b> 20 bar 290 psi	<b>S</b> 44,18 cm <sup>2</sup> 6.848 in <sup>2</sup>	<b>SPM</b> ~ 15 - 60 (at 20°C)	<b>Max Speed</b> 1,8 m/s 70.8 in/s	<b>Maintenance kit</b> 39BMLS05000B
--	--------------------------	---------------------------	-------------------------------------	-----------------------------------	--	--------------------------------------	--	--

CODE PHASING OUT from 04/2021	NEW	Cu		L		L min		F0 Initial force		F Cls		F1i End force *		F1p End force **		V0		PED 2014/68/EU		
		mm	inch	mm	inch	mm	inch	daN	lb	daN	lb	daN	lb	daN	lb	cm <sup>3</sup>	in <sup>3</sup>	~Kg	~lb	✓
LS 6600-025-A	◆ LS 6600-025-B	25	0.98	190	7.48	165	6.50					9292	20890	10865	24426	357	21.80	10,60	23.37	✓
LS 6600-038-A	LS 6600-038-B	38	1.50	216	8.50	178	7.01					10164	22849	12238	27513	483	29.47	12,00	26.46	✓
LS 6600-050-A	LS 6600-050-B	50	1.97	240	9.45	190	7.48					10710	24078	13121	29496	599	36.54	13,20	29.10	✓
LS 6600-063-A	LS 6600-063-B	63,5	2.50	267	10.51	203,5	8.01	0	0	6630	14905	11154	25076	13847	31130	729	44.50	13,60	29.98	✓
LS 6600-080-A	LS 6600-080-B	80	3.15	300	11.81	220	8.66	± 5% 150 bar 2175 psi + 20 °C +68 °F	± 5% 150 bar 2175 psi + 20 °C +68 °F			11546	25956	14497	32590	889	54.23	14,10	31.09	✓
LS 6600-100-A	LS 6600-100-B	100	3.94	340	13.39	240	9.45					11885	26719	15065	33867	1082	66.02	15,40	33.95	✓
LS 6600-125-A	LS 6600-125-B	125	4.92	390	15.35	265	10.43					12185	27392	15571	35004	1323	80.76	16,90	37.26	✓
LS 6600-160-A	LS 6600-160-B	160	6.30	460	18.11	300	11.81					12470	28033	16056	36096	1662	101.40	18,70	41.23	✓
LS 6600-200-A	LS 6600-200-B	200	7.87	540	21.26	340	13.39					12688	28524	16431	36938	2048	124.98	21,70	47.84	✓
LS 6600-250-A	LS 6600-250-B	250	9.84	640	25.20	390	15.35					12873	28939	16749	37653	2531	154.46	24,80	54.67	✓
LS 6600-300-A	LS 6600-300-B	300	11.81	740	29.13	440	17.32					13001	29228	16971	38153	3014	183.93	28,00	61.73	✓

◆ Disposable

