

LS SERIES

LS 7500

- 50% VIBRATIONS

- 55% NOISE



Ordering-Example:

Special Sizes Available On Request.

ACTIVE SAFETY



OSAS



USAS



OPAS

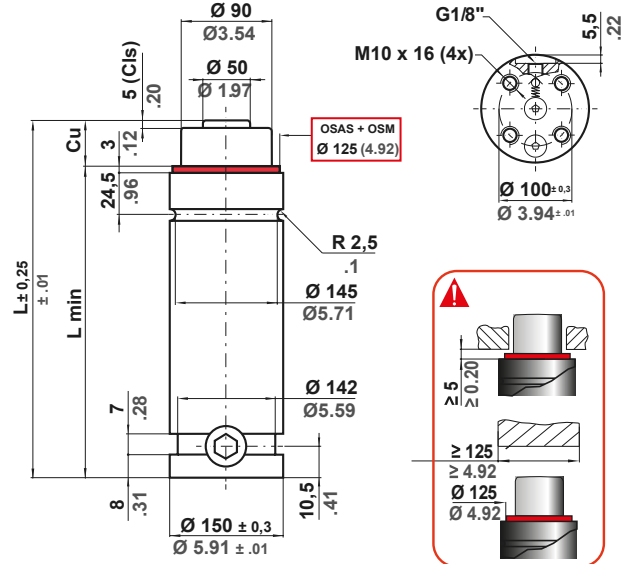
The new code will be supplied only when the old will be out of stock

* F_{1i} =

Isothermal end force at 100% Cu

** F_{1p} =

Polytrophic end force at 100% Cu



| | | | | | | | | |
|--|--------------------------|---------------------------|-------------------------------------|-----------------------------------|--|--------------------------------------|--|--|
| | 0 - 80 °C 32 - 176 °F | ΔP ± 0.33 %/°C | P max 120 bar 1740 psi | P min 20 bar 290 psi | S 63.61 cm ² 9.860 in ² | SPM ~ 15 - 60 (at 20°C) | Max Speed 1.8 m/s 70.8 in/s | Maintenance kit 39BMLS07500A |
|--|--------------------------|---------------------------|-------------------------------------|-----------------------------------|--|--------------------------------------|--|--|

| CODE PHASING OUT from 04/2021 | NEW | Cu | | L | | L min | | F0 Initial force | | F Cls | | F1i End force * | | F1p End force ** | | V0 | | PED 2014/68/EU | | |
|-------------------------------|-----------------|------|-------|-----|-------|-------|-------|------------------|-------|---------------------|---------------------|-----------------|--------|------------------|-------|-----------------|-----------------|----------------|-------|---|
| | | mm | inch | mm | inch | mm | inch | daN | lb | daN | lb | daN | lb | daN | lb | cm ³ | in ³ | ~Kg | ~lb | ✓ |
| LS 7500-025-A | ◆ LS 7500-025-B | 25 | 0.98 | 205 | 8.07 | 180 | 7.09 | | | | | 9817 | 22070 | 11303 | 25411 | 638 | 38.91 | 19.95 | 43.98 | ✓ |
| LS 7500-038-A | LS 7500-038-B | 38 | 1.50 | 231 | 9.09 | 193 | 7.60 | | | | | 10576 | 23776 | 12544 | 28200 | 838 | 51.13 | 21.15 | 46.63 | ✓ |
| LS 7500-050-A | LS 7500-050-B | 50 | 1.97 | 255 | 10.04 | 205 | 8.07 | | | | | 11065 | 24875 | 13362 | 30039 | 1023 | 62.40 | 21.95 | 48.39 | ✓ |
| LS 7500-063-A | LS 7500-063-B | 63.5 | 2.50 | 282 | 11.10 | 218.5 | 8.60 | 0 | 0 | 7630 | 17152 | 11469 | 25784 | 14050 | 31585 | 1230 | 75.08 | 22.75 | 50.16 | ✓ |
| LS 7500-080-A | LS 7500-080-B | 80 | 3.15 | 315 | 12.40 | 235 | 9.25 | ± 5% | ± 5% | 120 bar 1740 psi | 120 bar 1740 psi | 11832 | 26600 | 14675 | 32991 | 1484 | 90.58 | 24.55 | 54.12 | ✓ |
| LS 7500-100-A | LS 7500-100-B | 100 | 3.94 | 355 | 13.98 | 255 | 10.04 | | | | | 12151 | 27316 | 15230 | 34239 | 1792 | 109.37 | 26.25 | 57.87 | ✓ |
| LS 7500-125-A | LS 7500-125-B | 125 | 4.92 | 405 | 15.94 | 280 | 11.02 | | | | | 12435 | 27956 | 15732 | 35366 | 2177 | 132.85 | 28.15 | 62.06 | ✓ |
| LS 7500-160-A | LS 7500-160-B | 160 | 6.30 | 475 | 18.70 | 315 | 12.40 | | | | | 12710 | 28572 | 16219 | 36461 | 2716 | 165.73 | 31.55 | 69.56 | ✓ |
| LS 7500-200-A | LS 7500-200-B | 200 | 7.87 | 555 | 21.85 | 355 | 13.98 | | | | | 12922 | 29050 | 16599 | 37316 | 3332 | 203.31 | 35.15 | 77.49 | ✓ |
| LS 7500-250-A | LS 7500-250-B | 250 | 9.84 | 655 | 25.79 | 405 | 15.94 | | | | | 13103 | 29457 | 16925 | 38049 | 4101 | 250.28 | 38.65 | 85.21 | ✓ |
| LS 7500-300-A | LS 7500-300-B | 300 | 11.81 | 755 | 29.72 | 455 | 17.91 | 13229 | 29741 | 17154 | 38564 | 4871 | 297.26 | 42.55 | 93.81 | ✓ | | | | |

◆ Disposable

