

LS SERIES

LS 9500

- 50% VIBRATIONS
- 55% NOISE



Ordering-Example:

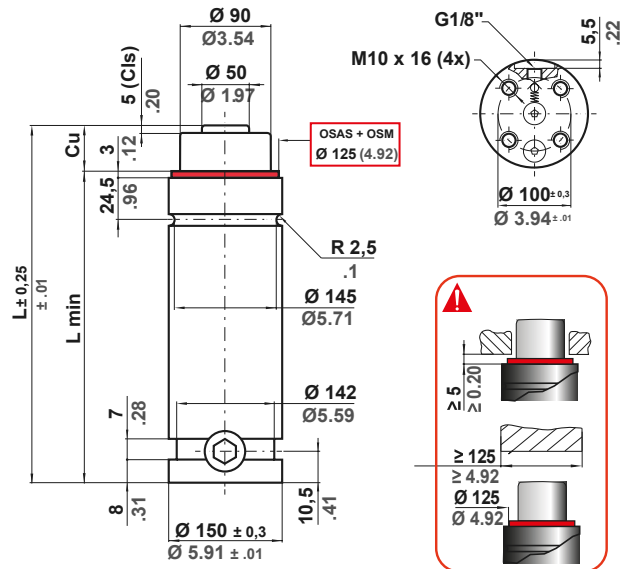
Special Sizes Available On Request.

ACTIVE SAFETY

OSAS
USAS
OPAS

The new code will be supplied only when the old will be out of stock

* F_{1i} = Isothermal end force at 100% Cu
** F_{1p} = Polytrophic end force at 100% Cu



	0 - 80 °C 32 - 176 °F	ΔP ± 0.33 %/°C	P max 150 bar 2175 psi	P min 20 bar 290 psi	S 63.61 cm ² 9.860 in ²	SPM ~ 15 - 60 (at 20°C)	Max Speed 1.8 m/s 70.8 in/s	Maintenance kit 39BMLS07500A
--	--------------------------	---------------------------	-------------------------------------	-----------------------------------	--	--------------------------------------	--	--

CODE PHASING OUT from 04/2021	NEW	Cu		L		L min		F0 Initial force		F Cls		F1i End force *		F1p End force **		V0		PED 2014/68/EU		
		mm	inch	mm	inch	mm	inch	daN	lb	daN	lb	daN	lb	daN	lb	cm ³	in ³	~Kg	~lb	✓
LS 9500-025-B	◆ LS 9500-025-C	25	0.98	205	8.07	180	7.09					12436	27958	14197	31916	638	38.91	19,95	43.98	✓
LS 9500-038-B	LS 9500-038-C	38	1.50	231	9.09	193	7.60					13451	30239	15755	35419	838	51.13	21,15	46.63	✓
LS 9500-050-B	LS 9500-050-C	50	1.97	255	10.04	205	8.07					14107	31713	16783	37729	1023	62.40	21,95	48.39	✓
LS 9500-063-B	LS 9500-063-C	63,5	2.50	282	11.10	218,5	8.60	0	0	9540	21446	14650	32935	17647	39671	1230	75.08	22,75	50.16	✓
LS 9500-080-B	LS 9500-080-C	80	3.15	315	12.40	235	9.25	± 5%		± 5%		15138	34032	18432	41436	1484	90.58	24,55	54.12	✓
LS 9500-100-B	LS 9500-100-C	100	3.94	355	13.98	255	10.04	150 bar 2175 psi		150 bar 2175 psi		15568	34998	19129	43005	1792	109.37	26,25	57.87	✓
LS 9500-125-B	LS 9500-125-C	125	4.92	405	15.94	280	11.02	+ 20 °C +68 °F		+ 20 °C +68 °F		15952	35862	19759	44420	2177	132.85	28,15	62.06	✓
LS 9500-160-B	LS 9500-160-C	160	6.30	475	18.70	315	12.40					15952	36695	20371	45796	2716	165.73	31,55	69.56	✓
LS 9500-200-B	LS 9500-200-C	200	7.87	555	21.85	355	13.98					16610	37341	20848	46869	3332	203.31	35,15	77.49	✓
LS 9500-250-B	LS 9500-250-C	250	9.84	655	25.79	405	15.94					16855	37892	21258	47789	4101	250.28	38,65	85.21	✓
LS 9500-300-B	LS 9500-300-C	300	11.81	755	29.72	455	17.91					17027	38278	21545	48436	4871	297.26	42,55	93.81	✓

◆ Disposable

