

ML SERIES

ML 300



Ordering-Example:

Special Sizes Available On Request.

SW

ACTIVE SAFETY

OSAS

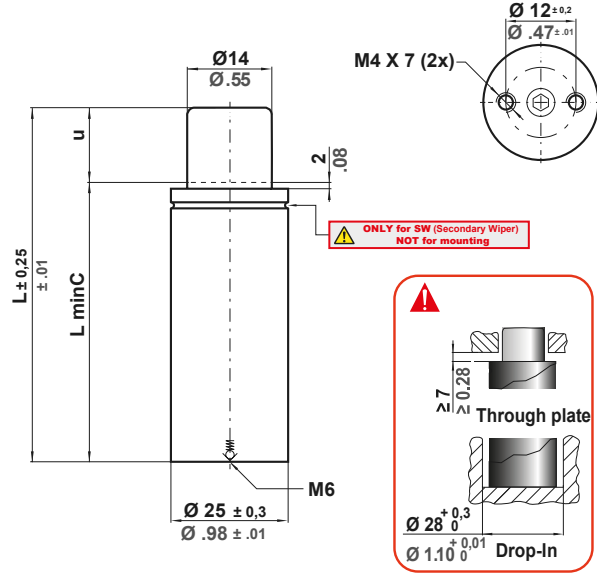
The new code will be supplied only when the old will be out of stock

* F_{1i} =

Isothermal end force at 100% Cu

** F_{1p} =

Polytropic end force at 100% Cu



N2	0 - 80 °C 32 - 176 °F	ΔP $\pm 0,33 \% / ^\circ C$	P max 200 bar 2900 psi	P min 20 bar 290 psi	S 1,54 cm ² 0.239 in ²	SPM ~ 40 - 80 (at 20°C)	Max Speed 1,6 m/s 62.9 in/s	Maintenance kit Disposable
----	--------------------------	--	-------------------------------------	-----------------------------------	---	--------------------------------------	--	--------------------------------------

CODE PHASING OUT from 05/2019	NEW	Cu		L		L min		F0 Initial force		F1i End force *		F1p End force **		V0		PED 2014/68/EU	
		mm	inch	mm	inch	mm	inch	daN	lb	daN	lb	daN	lb	cm ³	in ³	~Kg	~lb
ML 300 - 010 - C	ML 300 - 010 - D	10	0.39	75	2.95	65	2.56	± 5% 200 bar 2900 psi +20 °C +68 °F	430	967	484	1087	6,8	0.41	0,17	0.37	✓
ML 300 - 015 - C	ML 300 - 015 - D	15	0.59	85	3.35	70	2.76		467	1050	534	1201	8,5	0.52	0,18	0.40	✓
ML 300 - 025 - C	ML 300 - 025 - D	25	0.98	105	4.13	80	3.15		518	1164	605	1360	11,8	0.72	0,21	0.46	✓
ML 300 - 038 - C	ML 300 - 038 - D	38	1.50	130	5.12	92	3.62		566	1272	674	1514	15,7	0.96	0,24	0.53	✓
ML 300 - 050 - C	ML 300 - 050 - D	50	1.97	155	6.10	105	4.13		583	1311	698	1570	20,0	1.22	0,27	0.60	✓
ML 300 - 063 - C	ML 300 - 063 - D	63	2.48	185	7.28	122	4.80		580	1303	693	1558	25,3	1.54	0,31	0.68	✓
ML 300 - 080 - C	ML 300 - 080 - D	80	3.15	220	8.66	140	5.51		595	1337	715	1608	31,2	1.90	0,35	0.77	✓

