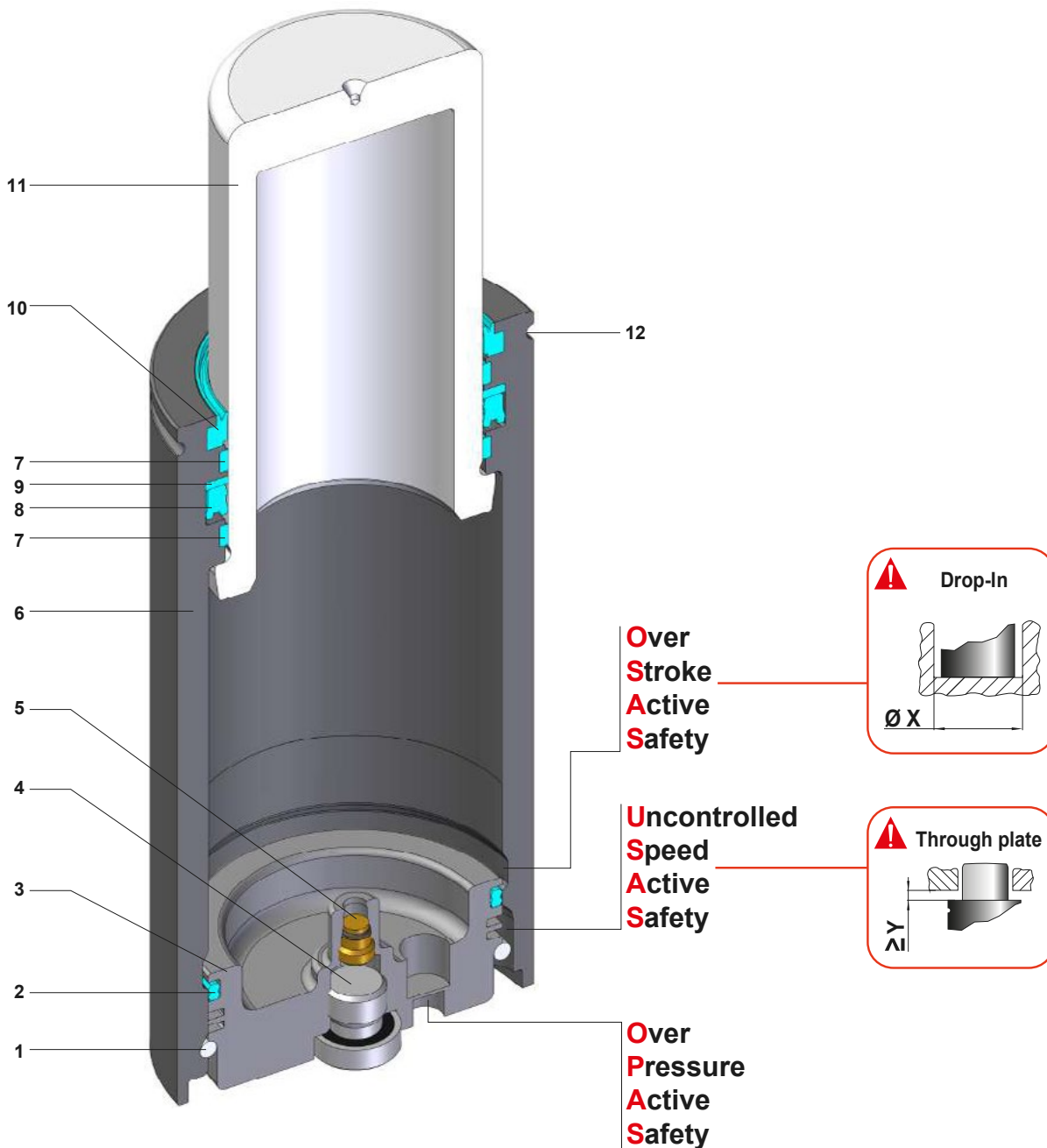


Ordering-Example:

Special Sizes Available On Request.



Maximum force, rod seal

|         |                           |
|---------|---------------------------|
| SEALING | ROD SEAL                  |
| DESIGN  | BOTTOM BASE - BODY DESIGN |

|   |                |   |            |    |                              |
|---|----------------|---|------------|----|------------------------------|
| 1 | Retaining ring | 5 | Valve      | 9  | Back-up ring                 |
| 2 | Dual ring seal | 6 | Body       | 10 | Rod wiper                    |
| 3 | Bottom base    | 7 | Guide ring | 11 | Rod (nitrited superfinished) |
| 4 | Plug           | 8 | Rod seal   | 12 | Groove for secondary wiper   |

Ordering-Example:  
ML 1800-050-D-E-W

Special Sizes Available On Request.

### RANGE CHART

| Model      | Body Ø |      | Stroke Cu |             | Initial force F0 |       | OSAS | USAS | OPAS | SKUDO | SW |
|------------|--------|------|-----------|-------------|------------------|-------|------|------|------|-------|----|
|            | mm     | inch | mm        | inch        | daN              | lb    |      |      |      |       |    |
| ML 300     | 25     | 0.98 | 10 - 80   | 0.39 - 3.15 | 310              | 697   | ✓    | ✓    | ✓    | -     | ✓  |
| ML 500     | 32     | 1.26 | 10 - 80   | 0.39 - 3.15 | 510              | 1147  | ✓    | ✓    | ✓    | -     | ✓  |
| ML 1000    | 38     | 1.50 | 10 - 80   | 0.39 - 3.15 | 980              | 2203  | ✓    | ✓    | ✓    | -     | ✓  |
| ML 1000 N  | 38     | 1.50 | 10 - 80   | 0.39 - 3.15 | 980              | 2203  | ✓    | ✓    | ✓    | -     | ✓  |
| ML 1800    | 50     | 1.97 | 15 - 80   | 0.59 - 3.15 | 1925             | 4327  | ✓    | ✓    | ✓    | -     | ✓  |
| ML 1800 N  | 50     | 1.97 | 15 - 80   | 0.59 - 3.15 | 1925             | 4327  | ✓    | ✓    | ✓    | -     | ✓  |
| ML 3000    | 63     | 2.48 | 15 - 80   | 0.59 - 3.15 | 3180             | 7149  | ✓    | ✓    | ✓    | -     | ✓  |
| ML 3000 N  | 63     | 2.48 | 15 - 80   | 0.59 - 3.15 | 3180             | 7149  | ✓    | ✓    | ✓    | -     | ✓  |
| ML 4700    | 75     | 2.95 | 15 - 80   | 0.59 - 3.15 | 4925             | 11701 | ✓    | ✓    | ✓    | -     | ✓  |
| ML 4700 N  | 75     | 2.95 | 15 - 80   | 0.59 - 3.15 | 4925             | 11701 | ✓    | ✓    | ✓    | -     | ✓  |
| ML 7500    | 95     | 3.74 | 15 - 80   | 0.59 - 3.15 | 7700             | 17310 | ✓    | ✓    | ✓    | -     | ✓  |
| ML 7500 N  | 95     | 3.74 | 15 - 80   | 0.59 - 3.15 | 7700             | 17310 | ✓    | ✓    | ✓    | -     | ✓  |
| ML 12000   | 120    | 4.72 | 15 - 80   | 0.59 - 3.15 | 12720            | 28595 | ✓    | ✓    | ✓    | -     | ✓  |
| ML 12000 N | 120    | 4.72 | 15 - 80   | 0.59 - 3.15 | 12720            | 28595 | ✓    | ✓    | ✓    | -     | ✓  |

✓ Built-in as standard    ✓ Optional upon request

### HOW TO ORDER



### Available versions

|  |  |   |   |   |   |
|--|--|---|---|---|---|
|  |  |   |   |   |   |
| <b>ML 1800-050-DM</b><br>Standard code | <b>L 1800-050-D-W</b><br>Add "-W" to standard code | <b>ML 1800-050-D-N</b><br>Add "-N" to standard code | <b>ML 1800-050-D-N-W</b><br>Add "-N-W" to standard code | <b>ML 1800-050-D-E</b><br>Add "-E" to standard code | <b>ML 1800-050-D-E-W</b><br>Add "-E-W" to standard code |
| Self contained                         | Self contained                                     | Linkable  | Linkable  | Easy Manifold                                       | Easy Manifold   |
|  | +<br>Secondary wiper                               |   | +<br>Secondary wiper                                    |   | +<br>Secondary wiper                                    |