

MP SERIES

MP 2000



Ordering-Example:

Special Sizes Available On Request.

ACTIVE SAFETY



OSAS



USAS



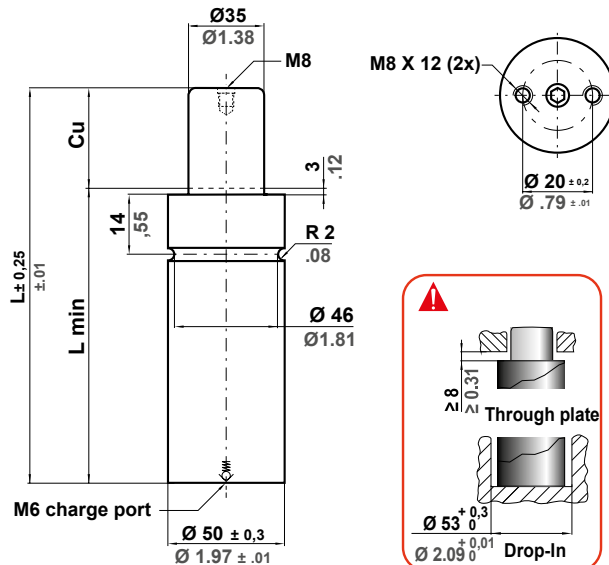
OPAS

* F_{1i} =

Isothermal end force at 100% Cu

** F_{1p} =

Polytrophic end force at 100% Cu



		0 - 80 °C 32 - 176 °F	ΔP ± 0.33 %/°C	P max 205 bar 2973 psi	P min 20 bar 290 psi	S 4.91 cm ² 0.761 in ²	SPM ~ 40 - 80 (at 20°C)	Max Speed 1.6 m/s 62.9 in/s	Maintenance kit 39BMMP01000A
--	--	--------------------------	---------------------------	-------------------------------------	-----------------------------------	---	--------------------------------------	--	--

CODE	Cu		L		L min		F0 Initial force		F1i End force *		F1p End force **		V0		~Kg		~lb		PED 2014/68/EU
	mm	inch	mm	inch	mm	inch	daN	lb	daN	lb	daN	lb	cm ³	in ³					
MP 2000 - 010 - A	10	0.39	90	3.54	80	3.15	2000	4496	2634	5921	2902	6524	52.4	3.20	0.76	1.68			✓
MP 2000 - 015 - A	15	0.59	115	4.53	100	3.94	± 5% 209 bar 3031 psi + 20 °C + 68 °F		2617	5883	2880	6474	80.4	4.90	0.89	1.96			✓
MP 2000 - 020 - A	20	0.79	125	4.92	105	4.13			2775	6238	3088	6942	89.6	5.47	0.93	2.05			✓
MP 2000 - 025 - A	25	0.98	135	5.31	110	4.33			2916	6555	3276	7365	98.7	6.02	0.98	2.16			✓
MP 2000 - 032 - A	32	1.26	150	5.91	118	4.65			3074	6911	3487	7839	112.8	6.88	1.04	2.29			✓
MP 2000 - 038 - A	38	1.50	165	6.50	127	5.00			3153	7088	3593	8077	127.5	7.78	1.11	2.45			✓
MP 2000 - 045 - A	45	1.77	180	7.09	135	5.31			3153	7349	3751	8433	141.6	8.64	1.18	2.60			✓
MP 2000 - 050 - A	50	1.97	190	7.48	140	5.51			3355	7542	3868	8696	150.7	9.19	1.22	2.69			✓
MP 2000 - 056 - A	56	2.20	205	8.07	149	5.87			3398	7639	3926	8826	165.5	10.10	1.29	2.84			✓
MP 2000 - 063 - A	63	2.48	220	8.66	157	6.18			3398	7823	4039	9080	179.5	10.95	1.36	3.00			✓
MP 2000 - 080 - A	80	3.15	255	10.04	175	6.89			3668	8246	4299	9665	211.9	12.93	1.51	3.33			✓

