

MP SERIES

MP 3000



Ordering-Example:

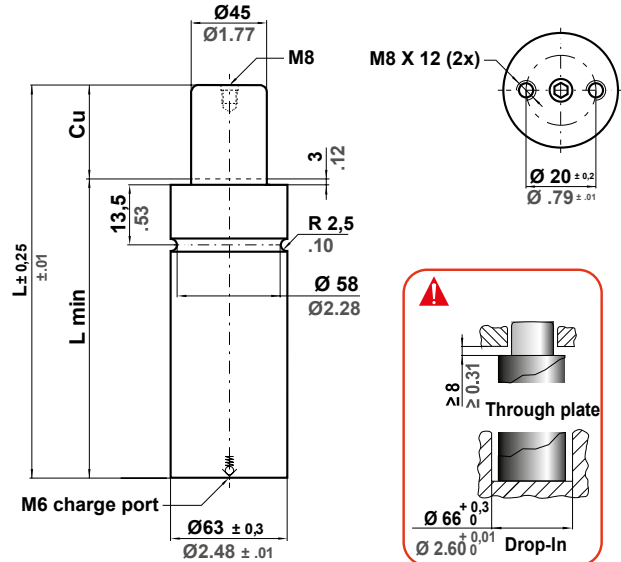
Special Sizes Available On Request.

* F_{1i} =
Isothermal
end force
at 100% Cu

** F_{1p} =
Polytrophic
end force
at 100% Cu



**ACTIVE
SAFETY**



	0 - 80 °C 32 - 176 °F	ΔP ± 0,33 %/°C	P max 189 bar 1741 psi	P min 20 bar 290 psi	S 15,90 cm ² 2.465 in ²	SPM ~ 40 - 80 (at 20°C)	Max Speed 1,6 m/s 62.9 in/s	Maintenance kit 39BMMP03000A
--	--------------------------	---------------------------	-------------------------------------	-----------------------------------	--	--------------------------------------	--	--

CODE	Cu		L		L min		F0 Initial force		F1i End force *		F1p End force **		V0		PED 2014/68/EU		
	mm	inch	mm	inch	mm	inch	daN	lb	daN	lb	daN	lb	cm ³	in ³	~Kg	~lb	✓
MP 3000 - 010 - A	10	0.39	95	3.74	85	3.35	3000	6744	3792	8525	4150	9330	96,0	5.86	1,25	2.76	✓
MP 3000 - 015 - A	15	0.59	115	4.53	100	3.94	± 5% 189 bar 2741 psi + 20 °C + 68 °F	3877	8716	4263	9584	132,7	8.09	1,40	3.09	✓	
MP 3000 - 020 - A	20	0.79	125	4.92	105	4.13		4099	9215	4567	10267	148,1	9.03	1,46	3.22	✓	
MP 3000 - 025 - A	25	0.98	135	5.31	110	4.33		4298	9662	4840	10881	163,6	9.98	1,52	3.35	✓	
MP 3000 - 032 - A	32	1.26	150	5.91	118	4.65		4516	10152	5145	11566	187,3	11.43	1,62	3.57	✓	
MP 3000 - 038 - A	38	1.50	165	6.50	127	5.00		4622	10391	5294	11901	212,2	12.94	1,72	3.79	✓	
MP 3000 - 045 - A	45	1.77	180	7.09	135	5.31		4781	10748	5519	12407	235,9	14.39	1,82	4.01	✓	
MP 3000 - 050 - A	50	1.97	190	7.48	140	5.51		4898	11011	5686	12783	251,3	15.33	1,89	4.17	✓	
MP 3000 - 063 - A	63	2.48	220	8.66	157	6.18		5065	11387	5926	13322	299,9	18.29	2,08	4.59	✓	
MP 3000 - 080 - A	80	3.15	255	10.04	175	6.89		5319	11958	6292	14145	354,5	21.62	2,31	5.09	✓	

