

RT SERIES

RT 1500



Ordering-Example:

Special Sizes Available On Request.

OSAS + OSM = OVER STROKE ACTIVE SAFETY + OVER STROKE MARKER

ACTIVE SAFETY

OSAS

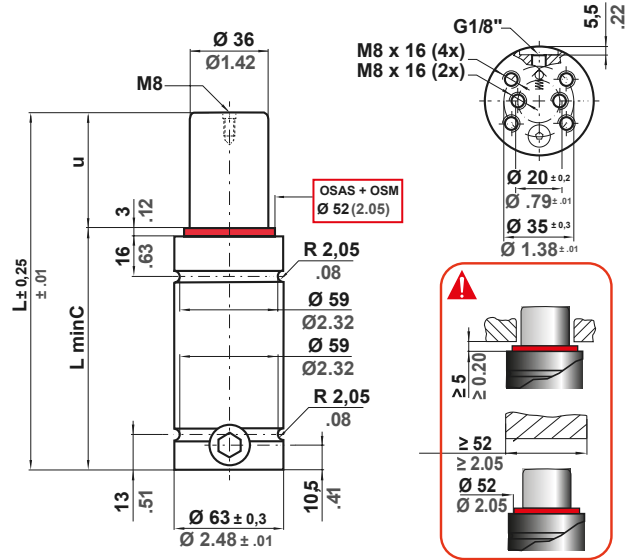
USAS

OPAS

The new code will be supplied only when the old will be out of stock

* F_{1i} = Isothermal end force at 100% Cu

** F_{1p} = Polytrophic end force at 100% Cu



	0 - 80 °C 32 - 176 °F	ΔP ± 0,33 %/°C	P_{max} 150 bar 2175 psi	P_{min} 20 bar 290 psi	S 10,18 cm ² 1.578 in ²	SPM ~ 20 - 100 (at 20°C)	$Max\ Speed$ 1,8 m/s 70.8 in/s	$Maintenance\ kit$ 39BMRV01500C
--	--------------------------	---------------------------	----------------------------------	--------------------------------	---	----------------------------------	--------------------------------------	------------------------------------

CODE PHASING OUT from 04/2021	NEW	Cu		L		L min		F0 Initial force		F1i End force *		F1p End force **		V0		PED 2014/68/EU				
		mm	inch	mm	inch	mm	inch	daN	lb	daN	lb	daN	lb	cm ³	in ³	~Kg	~lb	✓		
RT 1500 - 010 - A	♦ RT 1500 - 010 - B	10	0.39	72	2.83	62	2.44	± 5% 150 bar 2175 psi + 20 °C + 68 °F		2078	4671	2406	5409	45	2.72	1,05	2,31	✓		
RT 1500 - 013 - A	♦ RT 1500 - 013 - B	13	0.51	78	3.07	65	2.56			2157	4848	2528	5683	53	3.20	1,09	2,40	✓		
RT 1500 - 016 - A	RT 1500 - 016 - B	16	0.63	84	3.31	68	2.68			2218	4987	2624	5900	61	3.69	1,13	2,49	✓		
RT 1500 - 019 - A	RT 1500 - 019 - B	19	0.75	90	3.54	71	2.80			2267	5097	2701	6073	68	4.17	1,16	2,56	✓		
RT 1500 - 025 - A	RT 1500 - 025 - B	25	0.98	102	4.02	77	3.03			1530	3440	2343	5267	2822	6344	84	5.14	1,23	2,71	✓
RT 1500 - 032 - A	RT 1500 - 032 - B	32	1.26	116	4.57	84	3.31			2405	5406	2921	6566	103	6.27	1,31	2,89	✓		
RT 1500 - 038 - A	RT 1500 - 038 - B	38	1.50	128	5.04	90	3.54			2444	5493	2984	6708	119	7.23	1,38	3,04	✓		
RT 1500 - 050 - A	RT 1500 - 050 - B	50	1.97	152	5.98	102	4.02			2499	5617	3073	6909	150	9.17	1,53	3,37	✓		
RT 1500 - 063 - A	RT 1500 - 063 - B	63	2.48	178	7.01	115	4.53			2538	5707	3139	7056	185	11.26	1,69	3,73	✓		
RT 1500 - 075 - A	RT 1500 - 075 - B	75	2.95	202	7.95	127	5.00			2565	5765	3182	7152	216	13.19	1,83	4,03	✓		
RT 1500 - 080 - A	RT 1500 - 080 - B	80	3.15	212	8.35	132	5.20	2573	5785	3196	7185	229	13.99	1,89	4,17	✓				
RT 1500 - 100 - A	RT 1500 - 100 - B	100	3.94	252	9.92	152	5.98	2601	5847	3242	7287	282	17.21	2,12	4,67	✓				
RT 1500 - 125 - A	RT 1500 - 125 - B	125	4.92	302	11.89	177	6.97	2624	5899	3280	7373	348	12.49	2,41	5,31	✓				

♦ Disposable

