

## RT SERIES

### RT 2400



Ordering-Example:

Special Sizes Available On Request.

K 32 R (Nissan)	E24.54.815.G (PSA)	EM24.54.700 (Renault)
SMS DNH 3203n Rev.3 (TOYOTA)		



**OSAS + OSM**

OVER STROKE ACTIVE SAFETY + OVER STROKE MARKER

ACTIVE SAFETY



OSAS



USAS



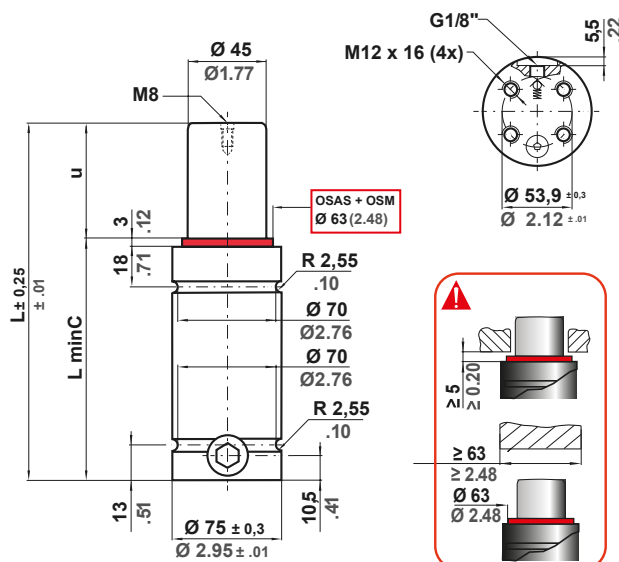
OPAS

The new code will be supplied only when the old will be out of stock

**easu**  
MANIFOLD

\*  $F_{1i}$  =  
Isothermal  
end force  
at 100% Cu

\*\*  $F_{1p}$  =  
Polytrophic  
end force  
at 100% Cu



N2	0 - 80 °C 32 - 176 °F	$\Delta P$ ± 0,33 %/°C	<b>P max</b> 150 bar 2175 psi	<b>P min</b> 20 bar 290 psi	<b>S</b> 15,90 cm <sup>2</sup> 2,465 in <sup>2</sup>	<b>SPM</b> ~ 20 - 100 (at 20°C)	<b>Max Speed</b> 1,8 m/s 70,8 in/s	<b>Maintenance kit</b> 39BMRV02400D
----	--------------------------	---------------------------	-------------------------------------	-----------------------------------	--	---------------------------------------	--	--

CODE PHASING OUT from 04/2021	NEW	Cu		L		L min		F0 Initial force		F1i End force *		F1p End force **		V0		PED 2014/68/EU		
		mm	inch	mm	inch	mm	inch	daN	lb	daN	lb	daN	lb	cm <sup>2</sup>	in <sup>2</sup>	~Kg	~lb	
RT 2400 - 010 - A	♦RT 2400 - 010 - B	10	0.39	79	3.11	69	2.72			3146	7073	3606	8106	77	4.67	1.44	3.17	✓
RT 2400 - 013 - A	♦RT 2400 - 013 - B	13	0.51	85	3.35	72	2.83			3272	7356	3799	8539	89	5.41	1.64	3.62	✓
RT 2400 - 016 - A	♦RT 2400 - 016 - B	16	0.63	91	3.58	75	2.95			3374	7586	3957	8895	101	6.15	1.74	3.84	✓
RT 2400 - 019 - A	♦RT 2400 - 019 - B	19	0.75	97	3.82	78	3.07			3459	7776	4089	9193	113	6.88	1.78	3.92	✓
RT 2400 - 025 - A	RT 2400 - 025 - B	25	0.98	109	4.29	84	3.31	2385	5362	3591	8073	4297	9661	137	8.34	1.88	4.14	✓
RT 2400 - 032 - A	RT 2400 - 032 - B	32	1.26	123	4.84	91	3.58	± 5% 150 bar 2175 psi + 20 °C + 68 °F		3703	8325	4476	10063	165	10.06	1.99	4.39	✓
RT 2400 - 038 - A	RT 2400 - 038 - B	38	1.50	135	5.31	97	3.82			3776	8488	4594	10327	189	11.52	2.08	4.59	✓
RT 2400 - 050 - A	RT 2400 - 050 - B	50	1.97	159	6.26	109	4.29			3882	8726	4766	10713	237	14.46	2.27	5.00	✓
RT 2400 - 063 - A	RT 2400 - 063 - B	63	2.48	185	7.28	122	4.80			3960	8902	4894	11001	289	17.63	2.48	5.47	✓
RT 2400 - 075 - A	RT 2400 - 075 - B	75	2.95	209	8.23	134	5.28			4012	9020	4980	11195	337	20.57	2.67	5.89	✓
RT 2400 - 080 - A	RT 2400 - 080 - B	80	3.15	219	8.62	139	5.47			4030	9060	5009	11261	357	21.79	2.74	6.04	✓
RT 2400 - 100 - A	RT 2400 - 100 - B	100	3.94	259	10.20	159	6.26			4087	9187	5102	11471	437	26.67	3.06	6.75	✓
RT 2400 - 125 - A	RT 2400 - 125 - B	125	4.92	309	12.89	194	7.24			4134	9295	5182	11649	537	32.79	3.45	7.61	✓

♦ Disposable

