

RT SERIES

RT 6600



Ordering-Example:

Special Sizes Available On Request.

SMS DNH 3203n Rev.3 (TOYOTA)



OSAS + OSM = OVER STROKE ACTIVE SAFETY + OVER STROKE MARKER

ACTIVE SAFETY

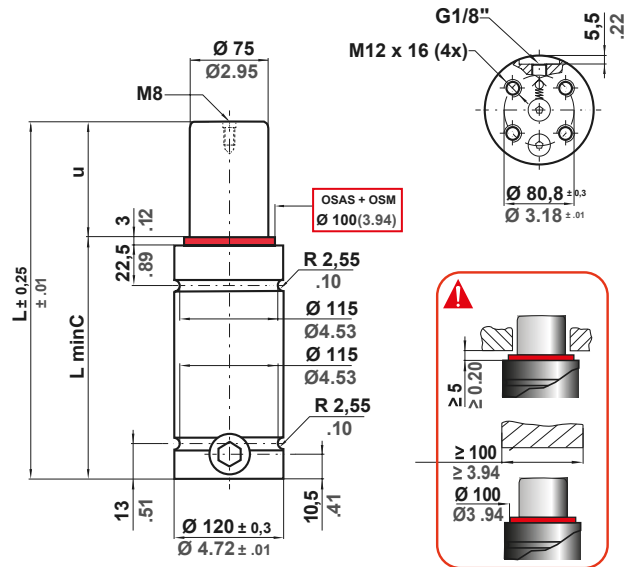


The new code will be supplied only when the old will be out of stock



* F_{1i} = Isothermal end force at 100% Cu

** F_{1p} = Polytrophic end force at 100% Cu



		0 - 80 °C 32 - 176 °F	ΔP ± 0,33 %/°C	P max 150 bar 2175 psi	P min 20 bar 290 psi	S 44,18 cm ² 6.848 in ²	SPM ~ 20 - 100 (at 20°C)	Max Speed 1,8 m/s 70.8 in/s	Maintenance kit 39BMRV06600C
--	--	--------------------------	---------------------------	-------------------------------------	-----------------------------------	--	---------------------------------------	--	--

CODE PHASING OUT from 04/2021	NEW	Cu		L		L min		F0 Initial force		F1i End force *		F1p End force **		V0		~Kg	~lb	PED 2014/68/EU
		mm	inch	mm	inch	mm	inch	daN	lb	daN	lb	daN	lb	cm ²	in ²			
RT 6600 - 016 - A	♦ RT 6600 - 016 - B	16	0.63	104	4.09	88	3.46	6630	14904	9056	20359	10500	23606	306	18.69	5,41	11,93	✓
RT 6600 - 019 - A	♦ RT 6600 - 019 - B	19	0.75	110	4.33	91	3.58			9306	20920	10887	24474	338	20.64	5,53	12,19	✓
RT 6600 - 025 - A	RT 6600 - 025 - B	25	0.98	122	4.80	97	3.82			9712	21832	11521	25901	402	24.54	5,77	12,72	✓
RT 6600 - 032 - A	RT 6600 - 032 - B	32	1.26	136	5.35	104	4.09			10073	22644	12093	27187	477	29.08	6,05	13,34	✓
RT 6600 - 038 - A	RT 6600 - 038 - B	38	1.50	148	5.83	110	4.33	± 5% 150 bar 2175 psi + 20 °C + 68 °F	10316	23192	12483	28063	541	32.98	6,25	13,78	✓	
RT 6600 - 050 - A	RT 6600 - 050 - B	50	1.97	172	6.77	122	4.80		10683	24016	13075	29394	668	40.78	6,77	14,93	✓	
RT 6600 - 063 - A	RT 6600 - 063 - B	63	2.48	198	7.80	135	5.31		10964	24648	13534	30427	807	49.23	7,25	15,98	✓	
RT 6600 - 075 - A	RT 6600 - 075 - B	75	2.95	222	8.74	147	5.79		11157	25083	13852	31141	935	57.03	7,77	17,13	✓	
RT 6600 - 080 - A	RT 6600 - 080 - B	80	3.15	232	9.13	152	5.98		11225	25234	13963	31390	988	60.28	7,97	17,57	✓	
RT 6600 - 100 - A	RT 6600 - 100 - B	100	3.94	272	10.71	172	6.77		11439	25715	14318	32188	1201	73.28	8,76	19,31	✓	
RT 6600 - 125 - A	RT 6600 - 125 - B	125	4.92	322	12.68	197	7.76		11625	26133	14628	32885	1467	89.53	9,76	21,52	✓	

♦ Disposable

