

RT SERIES

RT 9500



Ordering-Example:

Special Sizes Available On Request.

SMS DNH 3203n Rev.3 (TOYOTA)

OSAS + OSM = OVER STROKE ACTIVE SAFETY + OVER STROKE MARKER



ACTIVE SAFETY



OSAS



USAS



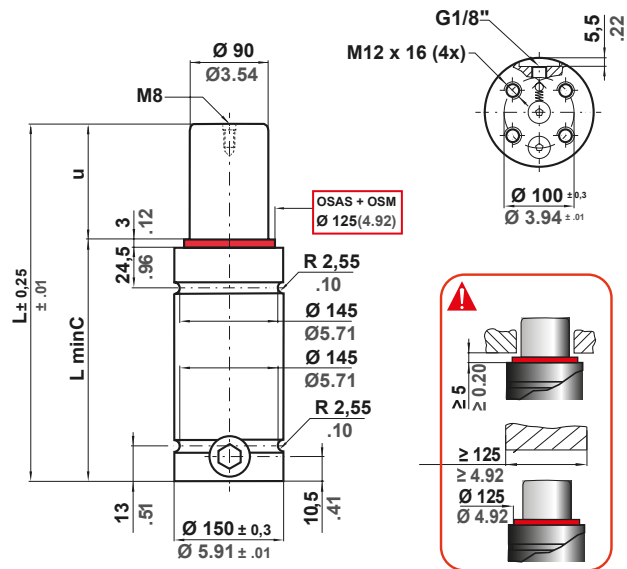
OPAS

The new code will be supplied only when the old will be out of stock

easu
MANIFOLD

* F_{1i} =
Isothermal
end force
at 100% Cu

** F_{1p} =
Polytropic
end force
at 100% Cu



	0 - 80 °C 32 - 176 °F	ΔP ± 0,33 %/°C	P max 150 bar 2175 psi	P min 20 bar 290 psi	S 63,62 cm ² 9,864 in ²	SPM ~ 20 - 100 (at 20°C)	Max Speed 1,8 m/s 70,8 in/s	Maintenance kit 39BMRV09500C
--	--------------------------	---------------------------	-------------------------------------	-----------------------------------	--	---------------------------------------	--	--

CODE PHASING OUT from 04/2021	NEW	Cu		L		L min		F0 Initial force		F1i End force *		F1p End force **		V0		PED 2014/68/EU			
		mm	inch	mm	inch	mm	inch	daN	lb	daN	lb	daN	lb	cm ²	in ²	~Kg	~lb	✓	
RT 9500 - 019 - A	♦ RT 9500 - 019 - B	19	0.75	116	4.57	97	3.82	± 5% 150 bar 2175 psi + 20 °C + 68 °F	9540	21446	13135	29529	15266	34320	513	31.32	9,58	21.12	✓
RT 9500 - 025 - A	RT 9500 - 025 - B	25	0.98	128	5.04	103	4.06				13676	30745	16106	36208	609	37.19	9,95	21.94	✓
RT 9500 - 032 - A	RT 9500 - 032 - B	32	1.26	142	5.59	110	4.33				14157	31826	16862	37908	722	44.03	10,39	22.91	✓
RT 9500 - 038 - A	RT 9500 - 038 - B	38	1.50	154	6.06	116	4.57				14481	32554	17376	39063	818	49.90	10,76	23.72	✓
RT 9500 - 050 - A	RT 9500 - 050 - B	50	1.97	178	7.01	128	5.04				14968	33649	18156	40817	1010	61.63	11,51	25.38	✓
RT 9500 - 063 - A	RT 9500 - 063 - B	63	2.48	204	8.03	141	5.55				15341	34488	18760	42174	1218	74.35	12,32	27.16	✓
RT 9500 - 075 - A	RT 9500 - 075 - B	75	2.95	228	8.98	153	6.02				15597	35064	19177	43113	1411	86.07	13,07	28.81	✓
RT 9500 - 080 - A	RT 9500 - 080 - B	80	3.15	238	9.37	158	6.22				15686	35264	19323	43440	1491	90.97	13,38	29.50	✓
RT 9500 - 100 - A	RT 9500 - 100 - B	100	3.94	278	10.94	178	7.01	15970	35902	19788	44486	1811	110.52	14,63	32.25	✓			
RT 9500 - 125 - A	RT 9500 - 125 - B	125	4.92	328	12.91	203	7.99	16216	36456	20195	45399	2212	134.97	16,19	35.69	✓			

♦ Disposable

