

SC SERIES

SCF 250 threaded



Ordering-Example:

Special Sizes Available On Request.

OSAS + OSM = OVER STROKE ACTIVE SAFETY + OVER STROKE MARKER

SW

ACTIVE SAFETY

OSAS

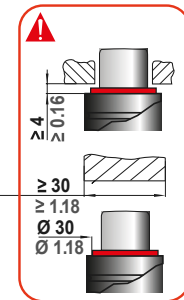
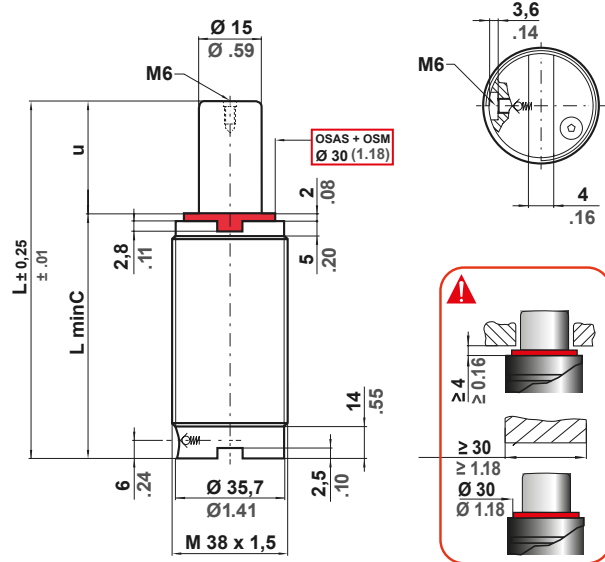
USAS

OPAS

The new code will be supplied only when the old will be out of stock

* F_{1i} = Isothermal end force at 100% Cu

** F_{1p} = Polytrophic end force at 100% Cu



	N2	0 - 80 °C 32 - 176 °F	ΔP ± 0,33 %/°C	P max 150 bar 2175 psi	P min 20 bar 290 psi	S 1,77 cm ² 0,274 in ²	SPM ~ 80 - 100 (at 20°C)	Max Speed 1,8 m/s 70,8 in/s	Maintenance kit 39BMSC00250E
--	-----------	--------------------------	---------------------------	-------------------------------------	-----------------------------------	---	---------------------------------------	--	--

CODE PHASING OUT from 04/2021	NEW	Cu		L		L min		F0 Initial force		F1i End force *		F1p End force **		V0		PED 2014/68/EU		
		mm	inch	mm	inch	mm	inch	daN	lb	daN	lb	daN	lb	cm ³	in ³	~Kg	~lb	✓
SCF 250 - 010 - D	◆ SCF 250 - 010 - E	10	0.39	70	2.76	60	2.36			305	685	334	750	16,0	0.98	0,37	0.81	✓
SCF 250 - 013 - D	◆ SCF 250 - 013 - E	12,7	0.50	75,4	2.97	62,7	2.47			310	698	342	769	18,1	1.10	0,38	0.84	✓
SCF 250 - 016 - D	SCF 250 - 016 - E	16	0.63	82	3.23	66	2.60			316	711	350	788	20,6	1.26	0,39	0.86	✓
SCF 250 - 019 - D	SCF 250 - 019 - E	19	0.75	88	3.46	69	2.72			320	720	357	802	22,9	1.40	0,42	0.92	✓
SCF 250 - 025 - D	SCF 250 - 025 - E	25	0.98	100	3.94	75	2.95			260	585	327	734	366	823	27,4	1.67	0,44
SCF 250 - 038 - D	SCF 250 - 038 - E	38	1.50	126	4.96	88	3.46	± 5% 150 bar 2175 psi + 20 °C +68 °F		336	755	380	853	37,3	2.28	0,50	1.10	✓
SCF 250 - 050 - D	SCF 250 - 050 - E	50	1.97	150	5.91	100	3.94			341	766	387	870	46,5	2.84	0,55	1.21	✓
SCF 250 - 063 - D	SCF 250 - 063 - E	63,5	2.50	177	6.97	113,5	4.47			345	775	393	884	56,7	3.46	0,63	1.39	✓
SCF 250 - 080 - D	SCF 250 - 080 - E	80	3.15	210	8.27	130	5.12			348	782	398	894	69,3	4.23	0,70	1.54	✓
SCF 250 - 100 - D	SCF 250 - 100 - E	100	3.94	250	9.84	150	5.91			351	789	403	905	84,2	5.14	0,75	1.65	✓
SCF 250 - 125 - D	SCF 250 - 125 - E	125	4.92	300	11.81	175	6.89	355	798	409	919	101,6	6.20	0,93	2.05	✓		

◆ Disposable

