

SC SERIES

SC 10000



Ordering-Example:

Special Sizes Available On Request.

ISO 11901 - 1	VDI 3003	075.90.55 (FCA)	B8 3180 220 000 001(MB)
EM24.54.700 (Renault)	39D 878 (VW)		



OSAS + OSM = OVER STROKE ACTIVE SAFETY + OVER STROKE MARKER

ACTIVE SAFETY

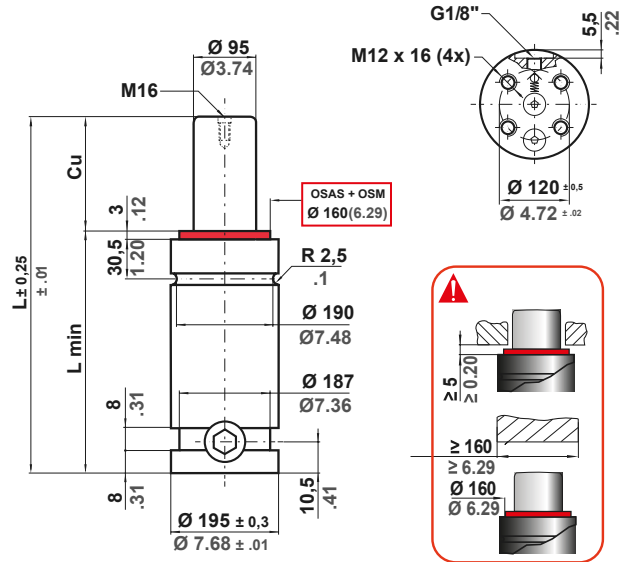


The new code will be supplied only when the old will be out of stock



* F_{1i} =
Isothermal
end force
at 100% Cu

** F_{1p} =
Polytrophic
end force
at 100% Cu



N2	0 - 80 °C 32 - 176 °F	ΔP ± 0,33 %/°C	P max 150 bar 2175 psi	P min 20 bar 290 psi	S 50,27 cm ² 7.792 in ²	SPM ~ 15 - 50 (at 20°C)	Max Speed 1,8 m/s 70.8 in/s	Maintenance kit 39BMS07500DH
----	--------------------------	---------------------------	------------------------------	----------------------------	---	-------------------------------	-----------------------------------	---------------------------------

CODE PHASING OUT from 04/2021	NEW	Cu		L		L min		F0 Initial force		F1i End force *		F1p End force **		V0		~Kg	~lb	PED 2014/68/ED
		mm	inch	mm	inch	mm	inch	daN	lb	daN	lb	daN	lb	cm ²	in ²			
SC 10000 - 025 - D	SC 10000 - 025 - E	25	0.98	210	8.27	185	7.28	± 5% 150 bar 2175 psi + 20 °C +68 °F	23830	12918	29040	14411	32398	1174	71.65	33,73	74.36	✓
SC 10000 - 038 - D	SC 10000 - 038 - E	38	1.50	236	9.29	198	7.80			13498	30345	15277	34345	1482	90.45	35,08	77.34	✓
SC 10000 - 050 - D	SC 10000 - 050 - E	50	1.97	260	10.24	210	8.27			13879	31200	15852	35636	1767	107.81	36,32	80.07	✓
SC 10000 - 063 - D	SC 10000 - 063 - E	63,5	2.50	287	11.30	223,5	8.80			14197	31916	16336	36726	2087	127.34	37,72	83.16	✓
SC 10000 - 080 - D	SC 10000 - 080 - E	80	3.15	320	12.60	240	9.45			14486	32565	16779	37720	2478	151.20	39,44	86.95	✓
SC 10000 - 100 - D	SC 10000 - 100 - E	100	3.94	360	14.17	260	10.24			14742	33140	17174	38608	2952	180.14	41,51	91.51	✓
SC 10000 - 125 - D	SC 10000 - 125 - E	125	4.92	410	16.14	285	11.22			14972	33659	17531	39412	3545	216.30	44,11	97.25	✓
SC 10000 - 160 - D	SC 10000 - 160 - E	160	6.30	480	18.90	320	12.60			15196	34163	17881	40197	4374	266.92	47,74	105.25	✓
SC 10000 - 200 - D	SC 10000 - 200 - E	200	7.87	560	22.05	360	14.17			15415	34654	18222	40966	5288	322.68	52,17	115.02	✓
SC 10000 - 250 - D	SC 10000 - 250 - E	250	9.84	660	25.98	410	16.14			15774	35462	18789	42240	6281	383.26	58,87	129.79	✓
SC 10000 - 300 - D	SC 10000 - 300 - E	300	11.81	760	29.92	460	18.11	16046	36072	19219	43207	7273	443.84	65,57	144.56	✓		

◆ Disposable

