

SC SERIES

SC 1500



Ordering-Example:

Special Sizes Available On Request.

ISO 11901 - 1	VDI 3003	B2 4006 (BMW)	075.90.55 (FCA)
W-DX35-6203 (Ford)	PG23D (Mazda)	B8 3180 220 000 001(MB)	K 32 S (Nissan)
E24.54.815.G (PSA)	EM24.54.700 (Renault)	SES-K 5404e (Suzuki)	39D 878 (VW)

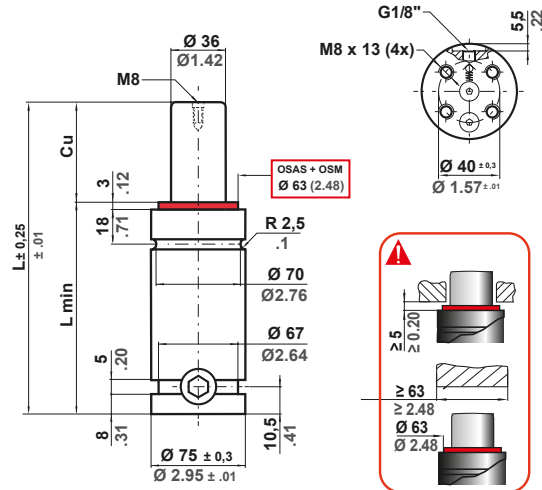
SW
 OSAS
 USAS
 OPAS

OSAS + OSM = OVER STROKE ACTIVE SAFETY + OVER STROKE MARKER

The new code will be supplied only when the old will be out of stock

easu
MANIFOLD

* F_{1i} = Isothermal end force at 100% Cu
 ** F_{1p} = Polytrophic end force at 100% Cu



N2	0 - 80 °C 32 - 176 °F	ΔP ± 0,33 %/°C	P max 150 bar 2175 psi	P min 20 bar 290 psi	S 10,18 cm ² 1.578 in ²	SPM ~ 15 - 50 (at 20°C)	Max Speed 1.8 m/s 70.8 in/s	Maintenance kit 39BMSC01500DH
----	--------------------------	---------------------------	-------------------------------------	-----------------------------------	--	--------------------------------------	--	---

CODE PHASING OUT from 04/2021	NEW	Cu		L		L min		F0 Initial force		F1i End force *		F1p End force **		V0		~Kg	~lb	PED 2014/68/EU	
		mm	inch	mm	inch	mm	inch	daN	lb	daN	lb	daN	lb	cm ³	in ³				
SC 1500 - 013 - D	SC 1500 - 013 - E	13	0.51	135	5.31	122	4.80	± 5% 150 bar 2175 psi + 20 °C + 68 °F	1831	4116	2034	4573	93	5.70	3,26	7.19	✓		
-	SC 1500 - 016 - E	16	0.63	142	5.59	126	4.96		1863	4188	2080	4676	106	6.47	3,29	7.25	✓		
SC 1500 - 025 - D	SC 1500 - 025 - E	25	0.98	160	6.30	135	5.31		1949	4382	2210	4969	137	8.37	3,47	7.65	✓		
SC 1500 - 038 - D	SC 1500 - 038 - E	38	1.50	186	7.32	148	5.83		2026	4555	2327	5231	183	11.16	3,67	8.09	✓		
SC 1500 - 050 - D	SC 1500 - 050 - E	50	1.97	210	8.27	160	6.30		2072	4658	2397	5388	225	13.72	3,85	8.49	✓		
SC 1500 - 063 - D	SC 1500 - 063 - E	63,5	2.50	237	9.33	173,5	6.83		2108	4739	2452	5513	272	16.62	4,05	8.93	✓		
SC 1500 - 075 - D	SC 1500 - 075 - E	75	2.95	260	10.24	185	7.28		2130	4789	2487	5591	313	19.08	4,23	9.33	✓		
SC 1500 - 080 - D	SC 1500 - 080 - E	80	3.15	270	10.63	190	7.48		2139	4808	2500	5620	330	20.15	4,30	9.48	✓		
SC 1500 - 088 - D	SC 1500 - 088 - E	87,5	3.44	285	11.22	197,5	7.78		1530	3440	2157	4849	2528	5683	356	21.69	4,42	9.74	✓
SC 1500 - 100 - D	SC 1500 - 100 - E	100	3.94	310	12.20	210	8.27		2165	4866	2540	5711	400	24.43	4,60	10.14	✓		
SC 1500 - 113 - D	SC 1500 - 113 - E	113	4.45	325	13.19	222	8.74		2181	4903	2566	5768	444	27.11	4,78	10.54	✓		
SC 1500 - 125 - D	SC 1500 - 125 - E	125	4.92	360	14.17	235	9.25		2187	4917	2575	5789	488	29.79	4,97	10.96	✓		
SC 1500 - 138 - D	SC 1500 - 138 - E	137,5	5.41	385	15.16	247,5	9.74		2199	4943	2594	5831	532	32.47	5,16	11.38	✓		
SC 1500 - 150 - D	SC 1500 - 150 - E	150	5.91	410	16.14	260	10.24		2203	4952	2600	5844	576	35.15	5,35	11.79	✓		
SC 1500 - 160 - D	SC 1500 - 160 - E	160	6.30	430	16.93	270	10.63		2208	4963	2608	5862	611	37.29	5,50	12.13	✓		
SC 1500 - 175 - D	SC 1500 - 175 - E	175	6.89	460	18.11	285	11.22		2215	4978	2618	5886	664	40.51	5,73	12.63	✓		
SC 1500 - 200 - D	SC 1500 - 200 - E	200	7.87	510	20.08	310	12.20		2228	5008	2639	5933	748	45.66	6,13	13.51	✓		
SC 1500 - 225 - D	SC 1500 - 225 - E	225	8.86	560	22.05	335	13.19		2250	5058	2674	6011	824	50.27	6,60	14.55	✓		
SC 1500 - 250 - D	SC 1500 - 250 - E	250	9.84	610	24.02	360	14.17		2268	5099	2703	6077	899	54.88	7,08	15.61	✓		
SC 1500 - 275 - D	SC 1500 - 275 - E	275	10.83	660	22.05	385	15.16		2284	5135	2728	6133	975	59.48	7,55	16.64	✓		
SC 1500 - 300 - D	SC 1500 - 300 - E	300	11.81	710	27.95	410	16.14	2298	5166	2750	6182	1050	64.09	8,02	17.68	✓			

◆ Disposable

SC SERIES

SC 1500



Ordering-Example:

Special Sizes Available On Request.

