

## SC SERIES

### SC 3000



Ordering-Example:

Special Sizes Available On Request.

ISO 11901 - 1	VDI 3003	B2 4006 (BMW)	075.90.55 (FCA)
W-DX35-6203 (Ford)	PG23D (Mazda)	B8 3180 220 000 001(MB)	K 32 S (Nissan)
E24.54.815.G (PSA)	EM24.54.700 (Renault)	SES-K 5404e (Suzuki)	39D 878 (VW)

**OSAS + OSM** = OVER STROKE ACTIVE SAFETY + OVER STROKE MARKER

**ACTIVE SAFETY**

The new code will be supplied only when the old will be out of stock

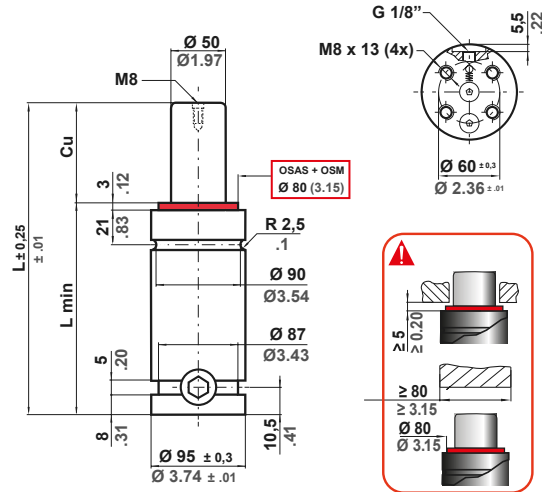
**eaSU MANIFOLD**

\*  $F_{1i}$  = Isothermal end force at 100% Cu

\*\*  $F_{1p}$  = Polytrophic end force at 100% Cu



ACTIVE SAFETY



N2	0 - 80 °C 32 - 176 °F	$\Delta P$ ± 0,33 %/°C	<b>P max</b> 150 bar 2175 psi	<b>P min</b> 20 bar 290 psi	<b>S</b> 19,63 cm <sup>2</sup> 3.043 in <sup>2</sup>	<b>SPM</b> ~ 15 - 50 (at 20°C)	<b>Max Speed</b> 1,8 m/s 70.8 in/s	<b>Maintenance kit</b> 39BMS03000E
----	--------------------------	---------------------------	-------------------------------------	-----------------------------------	--	--------------------------------------	--	---------------------------------------

CODE PHASING OUT from 04/2021	NEW	Cu		L		L min		F0 Initial force		F1i End force *		F1p End force **		V0		PED 2014/68/EU				
		mm	inch	mm	inch	mm	inch	daN	lb	daN	lb	daN	lb	cm <sup>3</sup>	in <sup>3</sup>		~Kg	~lb		
SC 3000 - 013 - D	SC 3000 - 013 - E	13	0.51	145	5.71	132	5.20	± 5% 150 bar 2175 psi  + 20 °C +68 °F		3532	7940	3923	8820	180	11.00	5,57	12.28	✓		
SC 3000 - 025 - D	SC 3000 - 025 - E	25	0.98	170	6.69	145	5.71			3802	8547	4327	9726	254	15.51	5,90	13.01	✓		
SC 3000 - 038 - D	SC 3000 - 038 - E	38	1.50	196	7.72	158	6.22			3988	8964	4609	10362	332	20.25	6,21	13.69	✓		
SC 3000 - 050 - D	SC 3000 - 050 - E	50	1.97	220	8.66	170	6.69			4103	9225	4788	10764	404	24.64	6,50	14.33	✓		
SC 3000 - 063 - D	SC 3000 - 063 - E	63,5	2.50	247	9.72	183,5	7.22			4197	9435	4934	11091	484	29.55	6,83	15.06	✓		
SC 3000 - 075 - D	SC 3000 - 075 - E	75	2.95	270	10.63	195	7.68			4257	9571	5028	11303	553	33.75	7,10	15.65	✓		
SC 3000 - 080 - D	SC 3000 - 080 - E	80	3.15	280	11.02	200	7.87			4279	9620	5062	11381	583	35.58	7,22	15.92	✓		
SC 3000 - 088 - D	SC 3000 - 088 - E	87,5	3.44	295	11.61	207,5	8.17			4320	9712	5126	11525	628	38.31	7,41	16.34	✓		
SC 3000 - 100 - D	SC 3000 - 100 - E	100	3.94	320	12.60	220	8.66			2945	6621	4350	9780	5175	11633	703	42.87	7,67	16.91	✓
SC 3000 - 113 - D	SC 3000 - 113 - E	113	4.45	345	13.58	232	9.13			± 5%	4394	9878	5243	11787	777	47.43	7,97	17.57	✓	
SC 3000 - 125 - D	SC 3000 - 125 - E	125	4.92	370	14.57	245	9.65			150 bar	4412	9917	5271	11850	853	52.02	8,27	18.23	✓	
SC 3000 - 138 - D	SC 3000 - 138 - E	138	5.43	395	15.55	257	10.12			2175 psi	4444	9990	5322	11965	927	56.59	8,57	18.89	✓	
SC 3000 - 150 - D	SC 3000 - 150 - E	150	5.91	420	16.54	270	10.63			+ 20 °C +68 °F	4457	10019	5343	12011	1002	61.15	8,87	19.56	✓	
SC 3000 - 160 - D	SC 3000 - 160 - E	160	6.30	440	17.32	280	11.02			4471	10052	5366	12064	1062	64.79	9,11	20.08	✓		
SC 3000 - 175 - D	SC 3000 - 175 - E	175	6.89	470	18.50	295	11.61			4491	10095	5397	12133	1151	70.26	9,47	20.88	✓		
SC 3000 - 200 - D	SC 3000 - 200 - E	200	7.87	520	20.47	320	12.60			4517	10155	5439	12228	1301	79.38	10,08	22.22	✓		
SC 3000 - 225 - D	SC 3000 - 225 - E	225	8.86	570	22.44	345	13.58			4538	10202	5473	12304	1450	88.50	10,68	23.55	✓		
SC 3000 - 250 - D	SC 3000 - 250 - E	250	9.84	620	24.41	370	14.57			4556	10241	5501	12367	1600	97.62	11,28	24.87	✓		
SC 3000 - 275 - D	SC 3000 - 275 - E	275	10.83	670	26.38	395	15.55			4570	10274	5524	12419	1749	106.74	11,88	26.19	✓		
SC 3000 - 300 - D	SC 3000 - 300 - E	300	11.81	720	28.35	420	16.54			4582	10302	5544	12463	1899	115.85	12,49	27.54	✓		

◆ Disposable

## SC SERIES

SC 3000



Ordering-Example:

Special Sizes Available On Request.

