

## SC SERIES

### SC 750



Ordering-Example:

Special Sizes Available On Request.

ISO 11901 - 1	VDI 3003	B2 4006 (BMW)	075.90.55 (FCA)
W-DX35-6203 (Ford)	PG23D (Mazda)	B8 3180 220 000 001(MB)	K 32 S (Nissan)
E24.54.815.G (PSA)	EM24.54.700 (Renault)	SES-K 5404e (Suzuki)	39D 878 (VW)

**OSAS + OSM** = OVER STROKE ACTIVE SAFETY + OVER STROKE MARKER

**ACTIVE SAFETY**

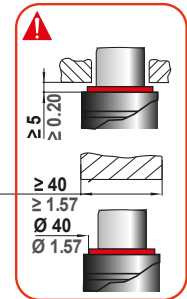
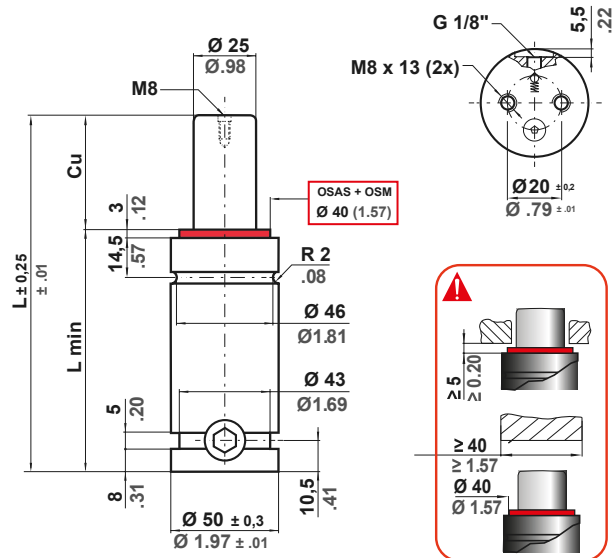
The new code will be supplied only when the old will be out of stock

**eaSU**  
MANIFOLD

\*  $F_{I1}$  = Isothermal end force at 100% Cu  
 \*\*  $F_{I1p}$  = Polytrophic end force at 100% Cu



ACTIVE SAFETY



	0 - 80 °C 32 - 176 °F	$\Delta P$ ± 0,33 %/°C	<b>P max</b> 150 bar 2175 psi	<b>P min</b> 20 bar 290 psi	<b>S</b> 4,91 cm <sup>2</sup> 0,761 in <sup>2</sup>	<b>SPM</b> ~ 15 - 50 (at 20°C)	<b>Max Speed</b> 1,8 m/s 70,8 in/s	<b>Maintenance kit</b> 39BMS00750D
--	--------------------------	---------------------------	-------------------------------------	-----------------------------------	---	--------------------------------------	--	---------------------------------------

CODE PHASING OUT from 04/2021	NEW	Cu		L		L min		F0 Initial force		F1 <sub>i</sub> End force *		F1 <sub>p</sub> End force **		V0		PED 2014/68/EU			
		mm	inch	mm	inch	mm	inch	daN	lb	daN	lb	daN	lb	cm <sup>3</sup>	in <sup>3</sup>		~Kg	~lb	
SC 750 - 013 - D	SC 750 - 013 - E	12,7	0.50	120,4	4.74	107,7	4.24	± 5% 150 bar 2175 psi  + 20 °C +68 °F	740	1664	922	2073	1039	2335	36	2.21	1,24	2,73	✓
-	SC 750 - 016 - E	16	0.63	127	5.00	111	4.37				949	2133	1079	2426	41	2.50	1,28	2,81	✓
SC 750 - 025 - D	SC 750 - 025 - E	25	0.98	145	5.71	120	4.72				1002	2252	1160	2607	54	3.28	1,34	2,95	✓
SC 750 - 038 - D	SC 750 - 038 - E	38	1.50	171	6.73	133	5.24				1049	2359	1233	2772	73	4.42	1,45	3,20	✓
SC 750 - 050 - D	SC 750 - 050 - E	50	1.97	195	7.68	145	5.71				1077	2422	1277	2871	90	5.47	1,54	3,40	✓
SC 750 - 063 - D	SC 750 - 063 - E	63,5	2.50	222	8.74	158,5	6.24				1099	2471	1312	2949	109	6.65	1,65	3,64	✓
SC 750 - 075 - D	SC 750 - 075 - E	75	2.95	245	9.65	170	6.69				1113	2502	1334	2998	126	7.66	1,75	3,86	✓
SC 750 - 080 - D	SC 750 - 080 - E	80	3.15	255	10.04	175	6.89				1118	2513	1342	3016	133	8.10	1,79	3,95	✓
SC 750 - 088 - D	SC 750 - 088 - E	87,5	3.44	270	10.63	182,5	7.19				1128	2535	1357	3052	144	8.76	1,85	4,08	✓
SC 750 - 100 - D	SC 750 - 100 - E	100	3.94	295	11.61	195	7.68				1134	2549	1367	3073	161	9.85	1,96	4,32	✓
SC 750 - 113 - D	SC 750 - 113 - E	113	4.45	320	12.60	207	8.15				1144	2571	1383	3109	179	10.94	2,06	4,54	✓
SC 750 - 125 - D	SC 750 - 125 - E	125	4.92	345	13.58	220	8.66				1147	2579	1389	3122	197	12.03	2,16	4,76	✓
SC 750 - 138 - D	SC 750 - 138 - E	138	5.43	370	14.57	232	9.13				1158	2604	1407	3162	214	13.05	2,27	5,00	✓
SC 750 - 150 - D	SC 750 - 150 - E	150	5.91	395	15.55	245	9.65				1168	2626	1423	3198	229	13.97	2,39	5,27	✓
SC 750 - 160 - D	SC 750 - 160 - E	160	6.30	415	16.34	255	10.04				1177	2646	1437	3230	241	14.71	2,49	5,49	✓
SC 750 - 175 - D	SC 750 - 175 - E	175	6.89	445	17.52	270	10.63				1189	2673	1456	3273	259	15.82	2,64	5,82	✓
SC 750 - 200 - D	SC 750 - 200 - E	200	7.87	495	19.49	295	11.61				1206	2711	1483	3335	289	17.65	2,89	6,37	✓
SC 750 - 225 - D	SC 750 - 225 - E	225	8.86	545	21.46	320	12.60				1220	2742	1506	3386	320	19.50	3,13	6,90	✓
SC 750 - 250 - D	SC 750 - 250 - E	250	9.84	595	23.43	345	13.58				1232	2769	1526	3430	350	21.34	3,32	7,32	✓
SC 750 - 275 - D	SC 750 - 275 - E	275	10.83	645	25.39	370	14.57				1242	2791	1542	3467	380	23.18	3,63	8,00	✓
SC 750 - 300 - D	SC 750 - 300 - E	300	11.81	695	27.36	395	15.55	1250	2811	1557	3500	410	25.02	3,88	8,55	✓			

◆ Disposable

## SC SERIES

### SC 750



Ordering-Example:

Special Sizes Available On Request.

