

SC SERIES

SC 7500



Ordering-Example:

Special Sizes Available On Request.

ISO 11901 - 1	VDI 3003	B2 4006 (BMW)	075.90.55 (FCA)
W-DX35-6203 (Ford)	PG23D (Mazda)	B8 3180 220 000 001(MB)	E24.54.815.G (PSA)
EM24.54.700 (Renault)	39D 878 (VW)		K 32 S (Nissan)

OSAS + OSM = OVER STROKE ACTIVE SAFETY + OVER STROKE MARKER

ACTIVE SAFETY

The new code will be supplied only when the old will be out of stock

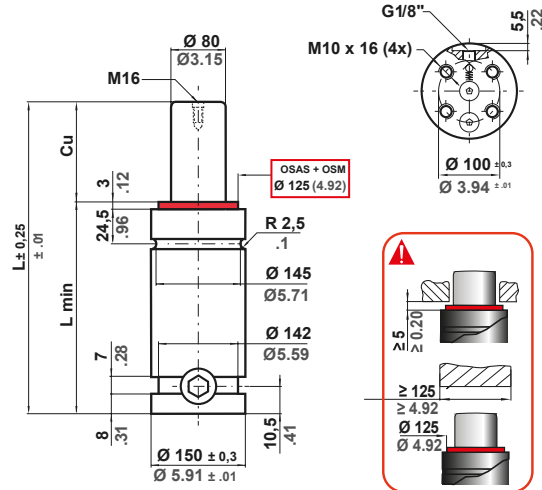
eaSU MANIFOLD

* F_{1i} = Isothermal end force at 100% Cu

** F_{1p} = Polytrophic end force at 100% Cu



ACTIVE SAFETY



N2	0 - 80 °C 32 - 176 °F	ΔP ± 0,33 %/°C	P max 150 bar 2175 psi	P min 20 bar 290 psi	S 50,27 cm ² 7.792 in ²	SPM ~ 15 - 50 (at 20°C)	Max Speed 1,8 m/s 70.8 in/s	Maintenance kit 39BMSC07500DH
----	--------------------------	---------------------------	-------------------------------------	-----------------------------------	--	--------------------------------------	--	---

CODE PHASING OUT from 04/2021	NEW	Cu		L		L min		F0 Initial force		F1i End force *		F1p End force **		V0		PED 2014/68/EU			
		mm	inch	mm	inch	mm	inch	daN	lb	daN	lb	daN	lb	cm ³	in ³		~Kg	~lb	
SC 7500 - 025 - D	SC 7500 - 025 - E	25	0.98	205	8.07	180	7.09	7540	16950	± 5%	9357	21035	10511	23630	757	46.22	18,71	41.25	✓
SC 7500 - 038 - D	SC 7500 - 038 - E	38	1.50	231	9.09	193	7.60				9845	22132	11246	25282	951	58.05	19,50	42.99	✓
SC 7500 - 050 - D	SC 7500 - 050 - E	50	1.97	255	10.04	205	8.07				10171	22866	11743	26400	1130	68.96	20,24	44.62	✓
SC 7500 - 063 - D	SC 7500 - 063 - E	63,5	2.50	282	11.10	218,5	8.60				10448	23488	12170	27359	1331	81.23	21,06	46.43	✓
SC 7500 - 075 - D	SC 7500 - 075 - E	75	2.95	305	12.10	230	9.06				10633	23904	12456	28003	1503	91.69	21,76	47.97	✓
SC 7500 - 080 - D	SC 7500 - 080 - E	80	3.15	315	12.40	235	9.25				10702	24060	12564	28246	1577	96.24	22,07	48.66	✓
SC 7500 - 088 - D	SC 7500 - 088 - E	87,5	3.44	330	12.99	242,5	9.55				10822	24329	12751	28666	1689	103.06	22,45	49.49	✓
SC 7500 - 100 - D	SC 7500 - 100 - E	100	3.94	355	13.98	255	10.04				10930	24572	12921	29047	1875	114.43	23,23	51.21	✓
SC 7500 - 113 - D	SC 7500 - 113 - E	113	4.45	380	14.96	267	10.51				11076	24900	13150	29562	2057	125.52	23,98	52.87	✓
SC 7500 - 125 - D	SC 7500 - 125 - E	125	4.92	405	15.94	280	11.02				11138	25039	13248	29782	2248	137.17	24,76	54.59	✓
SC 7500 - 138 - D	SC 7500 - 138 - E	138	5.43	430	16.93	292	11.50				11249	25289	13424	30177	2430	148.26	25,51	56.24	✓
SC 7500 - 150 - D	SC 7500 - 150 - E	150	5.91	455	17.91	305	12.10				11291	25382	13490	30326	2620	159.91	26,28	57.94	✓
SC 7500 - 160 - D	SC 7500 - 160 - E	160	6.30	475	18.70	315	12.40				11341	25496	13570	30506	2769	169.00	26,90	59.30	✓
SC 7500 - 175 - D	SC 7500 - 175 - E	175	6.89	505	19.88	330	12.99				11408	25646	13676	30745	2993	182.64	27,81	61.31	✓
SC 7500 - 200 - D	SC 7500 - 200 - E	200	7.87	555	21.85	355	13.98				11501	25856	13824	31079	3366	205.38	29,34	64.68	✓
SC 7500 - 225 - D	SC 7500 - 225 - E	225	8.86	605	23.82	380	14.96				11577	26025	13945	31350	3738	228.12	30,87	68.06	✓
SC 7500 - 250 - D	SC 7500 - 250 - E	250	9.84	655	25.79	405	15.94				11639	26166	14045	31574	4111	250.85	32,39	71.41	✓
SC 7500 - 275 - D	SC 7500 - 275 - E	275	10.83	705	27.76	430	16.93				11692	26284	14129	31764	4483	273.59	33,92	74.78	✓
SC 7500 - 300 - D	SC 7500 - 300 - E	300	11.81	755	29.72	455	17.91				11736	26385	14201	31926	4856	296.33	35,45	78.15	✓

◆ Disposable

SC SERIES

SC 7500



Ordering-Example:

Special Sizes Available On Request.

