

## S SERIES

S 500



Ordering-Example:

Special Sizes Available On Request.

EM24.54.700 (Renault)	SES-K 5404e (Suzuki)
-----------------------	----------------------

SW

**OSAS + OSM** = OVER STROKE ACTIVE SAFETY + OVER STROKE MARKER

---

OSAS

The new code will be supplied only when the old will be out of stock

---

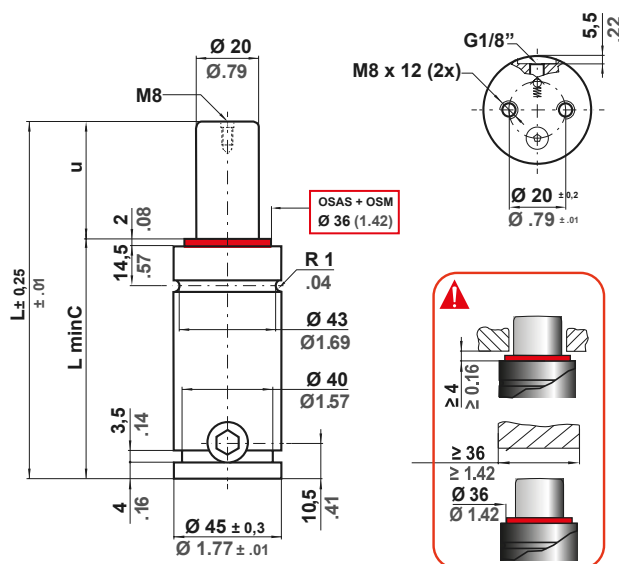
USAS

\*  $F_{1i}$  = Isothermal end force at 100% Cu

---

OPAS

\*\*  $F_{1p}$  = Polytrophic end force at 100% Cu



N2	0 - 80 °C 32 - 176 °F	$\Delta P$ ± 0,33 %/°C	<b>P max</b> 150 bar 2175 psi	<b>P min</b> 20 bar 290 psi	<b>S</b> 3,14 cm <sup>2</sup> 0.487 in <sup>2</sup>	<b>SPM</b> ~ 40 - 100 (at 20°C)	<b>Max Speed</b> 1,8 m/s 70.8 in/s	<b>Maintenance kit</b> 39BMS00500B
----	--------------------------	---------------------------	-------------------------------------	-----------------------------------	---	---------------------------------------	--	---------------------------------------

CODE PHASING OUT from 04/2021	NEW	Cu		L		L min		F0 Initial force		F1i End force *		F1p End force **		V0		PED 2014/68/EU		
		mm	inch	mm	inch	mm	inch	daN	lb	daN	lb	daN	lb	cm <sup>3</sup>	in <sup>3</sup>	~Kg	~lb	✓
S 500 - 006 - A	◆ S 500 - 006 - B	6	0.24	62	2.44	56	2.20			597	1343	676	1520	10,4	0.63	0,54	1.19	✓
S 500 - 013 - A	◆ S 500 - 013 - B	13	0.51	76	2.99	63	2.48			651	1464	758	1704	17,2	1.05	0,58	1.28	✓
S 500 - 019 - A	◆ S 500 - 019 - B	19	0.75	88	3.46	69	2.72			675	1517	794	1785	22,9	1.40	0,62	1.37	✓
S 500 - 025 - A	◆ S 500 - 025 - B	25	0.98	100	3.94	75	2.95			689	1550	817	1837	28,7	1.75	0,67	1.48	✓
S 500 - 038 - A	◆ S 500 - 038 - B	38	1.50	126	4.96	88	3.46	470	1057	708	1592	847	1904	41,2	2.51	0,77	1.70	✓
S 500 - 050 - A	◆ S 500 - 050 - B	50	1.97	150	5.91	100	3.94	± 5% 150 bar 2175 psi + 20 °C +68 °F		718	1613	862	1938	52,8	3.22	0,85	1.87	✓
S 500 - 063 - A	◆ S 500 - 063 - B	63	2.48	176	6.93	113	4.45			724	1629	873	1963	65,3	3.98	0,90	1.98	✓
S 500 - 080 - A	◆ S 500 - 080 - B	80	3.15	210	8.27	130	5.12			730	1642	882	1983	81,6	4.98	1,01	2.23	✓
S 500 - 100 - A	◆ S 500 - 100 - B	100	3.94	250	9.84	150	5.91			735	1652	889	2000	100,9	6.16	1,16	2.56	✓
S 500 - 125 - A	◆ S 500 - 125 - B	125	4.92	300	11.81	175	6.89			738	1660	895	2013	124,9	7.62	1,35	2.98	✓

◆ Disposable

