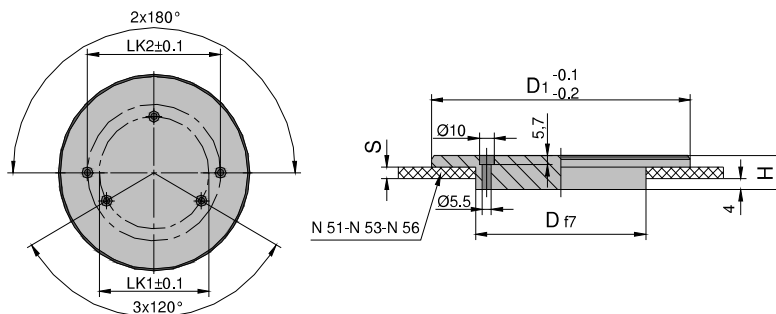


N 23

Locating Ring With Screw Holes



Ordering-Example:

LK = Bolt Pitch Circle Diameter

1 Piece N23 Ø100/8

Special Sizes Available On Request

Material: 1.1191

S	LK1	LK2	D	D1	H	€
-	78	-	90	100	8	
-		82			12	
3					15	
5					17	
6					18	
7					19	
8,5					21	
-	78	98	90	110	12	
3					15	
5					17	
6					18	
7					19	
8					20	
8,5					21	
-	78	104	90	120	12	
3					15	
5					17	
6					18	
7					19	
8					20	
8,5					21	
-	78	104	90	125	12	
3					15	
5					17	
6					18	
7					19	
8					20	
8,5					21	

S	LK1	LK2	D	D1	H	€
-	78	-	90	140	12	
-	78	-	90	150	12	
-	78	128	90	160	12	
3					15	
5					17	
6					18	
7					19	
8					20	
8,5					21	
-	78	128	90	175	12	
3					15	
5					17	
6					18	
7					19	
8					20	
8,5					21	
-	78	144	90	200	12	
-	78	144	90	250	12	